

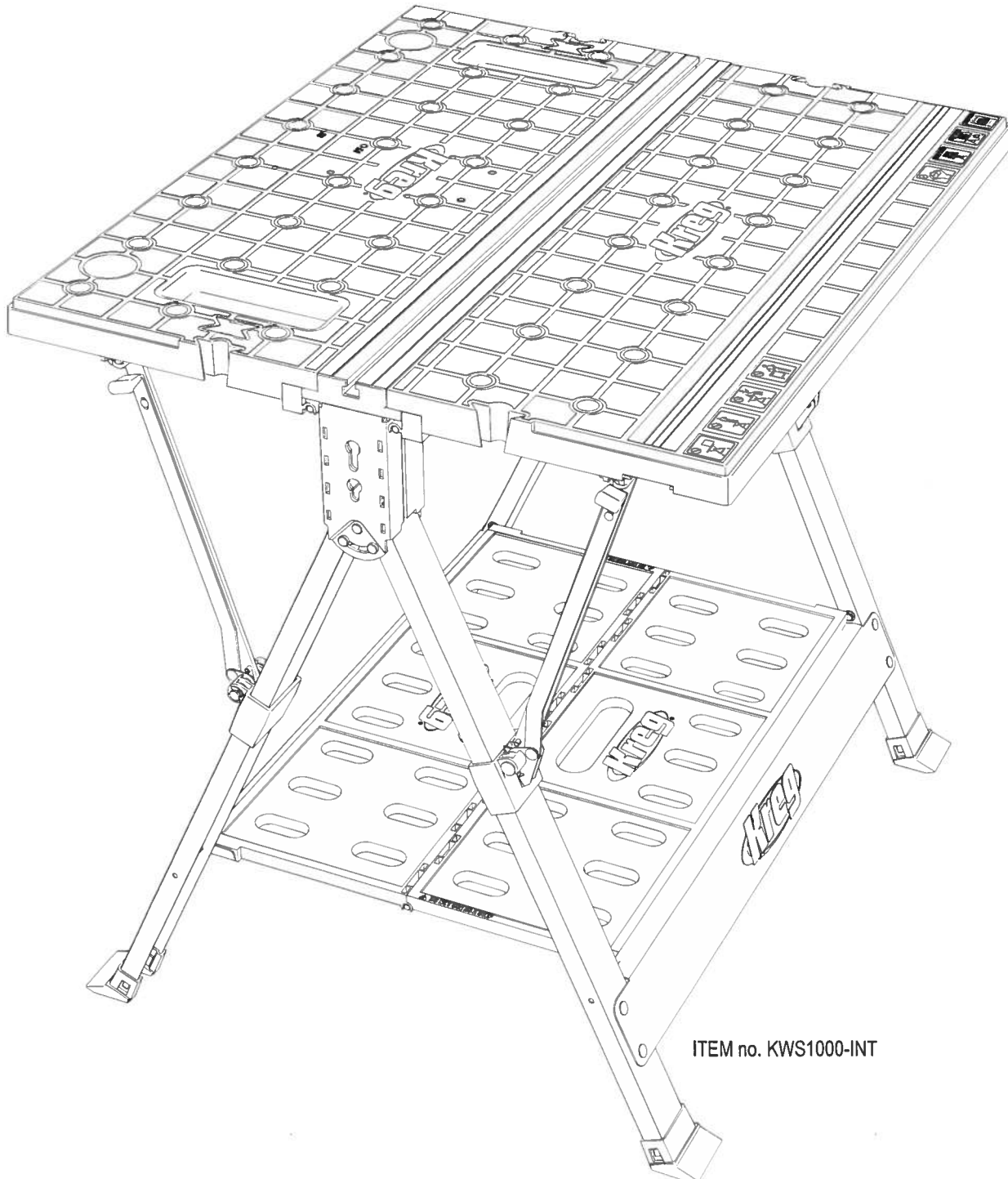


# Mobile Project Center

Online: [www.kregtool.com](http://www.kregtool.com) • Phone: 800.447.8638

Email: [customerservice@kregtool.com](mailto:customerservice@kregtool.com)

*Owner's Manual | Benutzerhandbuch | Guide d'utilisation | Manual del propietario | Brugervejledning | Omistajan opas | Manuale di istruzioni | Gebruikershandleiding | Ejerhåndbok | Instrukcja dla użytkownika | Manual do Utilizador | Руководство пользователя | Ägarhandbok*



ITEM no. KWS1000-INT

# General Safety Instructions

**⚠ WARNING** When using electric tools with this product, always follow the tool manufacturer's instructions in addition to the safety precautions *below* to reduce risk of fire, electric shock, and personal injury. Read all these instructions before attempting to operate this product. **SAVE THESE INSTRUCTIONS.**

## 1) Work area safety

- Keep work area clean and well lit.** Cluttered or dark areas invite accidents.
- Don't use power tools in a dangerous environment.** Don't use power tools in damp or wet locations, or expose them to rain.
- Do not operate power tools in explosive atmospheres, such as in the presence of flammable liquids, gases or dust.** Power tools create sparks that can ignite the fumes or dust.
- Keep children and bystanders away while operating a power tool.** Distractions can cause you to lose control.
- Make your workshop child proof.** Use padlocks, master switches or remove starter keys.

## 2) Electrical safety

- Earth electric tools.** If the tool is equipped with a three-prong plug, it should only be plugged into a earthed three-hole electrical socket. If the proper socket is not available, have one installed by a qualified electrician. Never remove the third prong or modify the provided plug in any way.
- Do not expose power tools to rain or wet conditions.** Water entering a power tool will increase the risk of electric shock.
- Do not abuse the cable.** Never use the cable for carrying, pulling or unplugging the power tool. Keep cable away from heat, oil, sharp edges or moving parts. Damaged or entangled cables increase the risk of electric shock.
- Use a proper extension cable and make sure it is in good condition.** When using an extension cable, be sure to use one heavy enough to carry the current your power tool draws. An undersized cable causes a drop in line voltage resulting in loss of power and overheating. Table 1 shows the correct cable gauge to use depending on cable length and tool nameplate ampere rating. If in doubt, use the next heavier gauge. The smaller the gauge number, the heavier the cable.
- When operating electric tools, avoid body contact with earthed surfaces such as pipes, radiators, kitchen ranges, and refrigerators.** Contact with an earthed surface increases the risk of electric shock.

## 3) Personal safety

- Stay alert, watch what you are doing and use common sense when operating a power tool.** Do not use a power tool while you are tired or under the influence of drugs, alcohol or medication. A moment of inattention while operating power tools may result in serious personal injury.
- Always wear safety glasses.** Everyday eyeglasses are not safety glasses. Safety glasses have specially constructed lenses, frames and side shields.
- Use safety equipment.** Use a face or dust mask when the cutting operation is dusty. Safety equipment such as a dust mask, non-skid safety shoes, hard hat or hearing protection used for appropriate conditions reduces personal injuries.
- Avoid accidental starting. Make sure the switch is in the off-position before plugging in.** Carrying power tools with your finger on the switch or plugging in power tools that have the switch on invites accidents.
- Remove any adjusting key or wrench before turning the power tool on.** A wrench or a key left attached to a rotating part of the power tool may result in personal injury.
- Do not overreach. Keep proper footing and balance at all times.** This enables better control of the power tool in unexpected situations.
- Secure workpieces.** Use clamps or a vice to hold work when practical. This is safer than using your hand and it frees both hands to operate the tool.
- Never stand on the machine.** Serious injury could occur if the tool tips or if the cutting tool is unintentionally contacted.
- Dress properly. Do not wear loose clothing or jewellery. Keep your hair, clothing and gloves away from moving parts.** Loose clothes, jewellery or long hair can be caught in moving parts. Roll up long sleeves to the elbow. Wear protective hair covering to contain long hair.
- If devices are provided for the connection of dust extraction and collection equipment, ensure these are connected and properly used.** Use of these devices can reduce dust-related hazards.

## 4) Power tool use and care

- Keep guards in place and in working order.**
- Do not force the power tool. Use the correct power tool for your application.** The correct power tool will do the job better and more safely at the rate for which it was designed.

- Use the right tool.** Don't force a tool or attachment to do a job for which it was not designed.
- Do not use the power tool if the switch does not turn it on and off.** Any power tool that cannot be controlled with the switch is dangerous and must be repaired.
- Disconnect the plug from the power source and/or the battery pack from the power tool before making any adjustments to, changing accessories on or storing power tools.** Such preventive safety measures reduce the risk of starting the power tool accidentally.
- Never leave a tool running unattended. Turn power off.** Don't leave the tool until it comes to a complete stop.
- Store idle power tools out of the reach of children and do not allow persons unfamiliar with the power tool and these instructions to operate the power tool.**

Power tools are dangerous in the hands of untrained users.

- Maintain power tools. Check for misalignment or binding of moving parts, broken parts and any other condition that may affect power tool operation. If damaged, have the power tool repaired before use.** Many accidents are caused by poorly maintained power tools.
- Keep cutting tools sharp and clean.** Properly maintained cutting tools with sharp cutting edges are less likely to bind and are easier to control.
- Use the recommended speed for the cutting tool or accessory and workpiece material.**
- Only use parts and accessories recommended by the manufacturer.** Consult the owner's manual for recommended accessories. Using improper accessories may cause personal injury.
- Use the power tool, accessories and tool bits in accordance with these instructions and in the manner intended for the particular type of power tool, taking into account the working conditions and the work to be performed.** Use of the power tool for operations different from those intended could result in a hazardous situation.

## 5) Service

- Have your power tool serviced by a qualified repair person using only identical replacement parts.** This ensures that the safety of the power tool is maintained.

## 6) Safety instructions specific to the Kreg Mobile Project Center

- When deploying the table tops,** use both hands to grasp the table tops at the outside corners and pull up. Make sure the braces are fully engaged.
- When folding the table tops,** use both hands to grasp the brace-release tabs. Pull up on the tabs and push down on the table top. Keep hands away from potential pinch points.
- Always work on a dry, level surface.**
- When using power tools with the Mobile Project Center,** follow the tool manufacturer's safety instructions.
- To prevent tipping,** always mount benchtop tools centred over the Clamp Track channel.
- When using two Mobile Project Centers in Grid Mode,** it is recommended to use one to two 2x4 cross members for additional strength.
- The Mobile Project Center is not intended for use outdoors in damp conditions.**
- Always store the Mobile Project Center inside or in an area sheltered from weather.**
- Do not sit or stand on the Mobile Project Center or use the Mobile Project Center as scaffolding or for any purpose not indicated in this manual.**
- Do not step on the shelf.**
- Do not hang items from the Mobile Project Center,** except as indicated in this manual.

# General Safety Instructions

## Guidelines for extension cable use

Extension cables are only to be used for temporary purposes. They do not replace the need for installation of sockets and proper wiring where necessary.

## In the workshop and on construction sites:

1. Extension cables with an equipment earthing conductor must be used at all times.
2. Extension cables must be protected from damage, and not run through doorways or windows where the doors or windows can close, causing damage to the cable.
3. Extension cables must be a minimum of 16 AWG and be rated for the equipment in use.
4. Extension cables must be periodically inspected to ensure that the insulation and conductivity of the wires are not compromised.
5. Extension cables should not be run through water or allowed to have connections that may be exposed to accumulated water.

TABLE 1

Nameplate Amperes @120 V	Extension Cable Length					
	25'	50'	75'	100'	150'	200'
	Recommended Wire Gauge					
0 -5	16	16	16	14	12	12
5.1 - 8	16	16	14	12	10	NR
8.1 -12	14	14	12	10	NR	NR
12.1 - 16	12	12	NR	NR	NR	NR

NR – Not Recommended

## ELECTRICAL SHOCK RISK

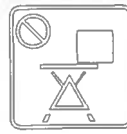
The metal parts of this product conduct electricity. Avoid any condition that causes electrical contact. Improperly earthed power tools present a risk of electrical shock that can result in serious bodily injury or death, particularly when used in a damp location, in proximity to plumbing and other earthed surfaces, or outdoors.

**! WARNING** Dust created by sanding, sawing, grinding, drilling, and other construction activities may contain chemicals known to the State of California to cause cancer and birth defects or other reproductive harm. Examples of these chemicals are:

- a) Lead from lead-based paints
- b) Crystalline silica from bricks and cement and other masonry products
- c) Arsenic and chromium from chemically treated timber

Your risk from exposure to these chemicals depends on how often you do this type of work. To reduce your exposure, work in a well-ventilated area with approved safety equipment, such as a dust mask specifically designed to filter out microscopic particles.

## Explanation of safety symbols found on the Mobile Project Center



Do not apply unbalanced loads.



Do not stand on the Mobile Project Center.



Do not sit on the Mobile Project Center.



Do not stand on shelf.



Always wear eye protection.



Maximum load, both table tops deployed: 350 lbs. [158 kg.] uniformly distributed; 100 lbs. [45 kg.] uniformly distributed on either table wing



Maximum load, two Mobile Project Centers, table tops not deployed: 2200 lbs. [997 kg.]



Maximum load on shelf: 25 lbs. [11 kg.]

## Kreg Mobile Project Center limited warranty

Kreg Tool Company warrants to the original purchaser only, that the Kreg Mobile Project Center will be free from defects in material and workmanship for a period of three (3) years from date of purchase. Kreg Tool Company will, at its option, repair or replace any product (or component part thereof) proving defective during said warranty period. This warranty applies only to products which are used in accordance with all instructions set forth in catalogues, manuals and/or instruction sets furnished by Kreg Tool Company.

This warranty becomes effective only if the original purchaser fully and properly completes product registration online ([www.kregtool.com](http://www.kregtool.com)) or calls Kreg Tool Company Customer Service (1-800-447-8638).

This warranty is null and void if the product has been subjected to (1) misuse, abuse or improper storage; (2) accident, neglect, damage or other circumstances beyond Kreg Tool Company's control; (3) modifications, disassembly, tampering, alterations or repairs not authorized by Kreg Tool Company; and (4) for non-original purchasers. This warranty does not apply to normal wear and tear, corrosion, abrasion or repairs required due to natural causes or acts of God.

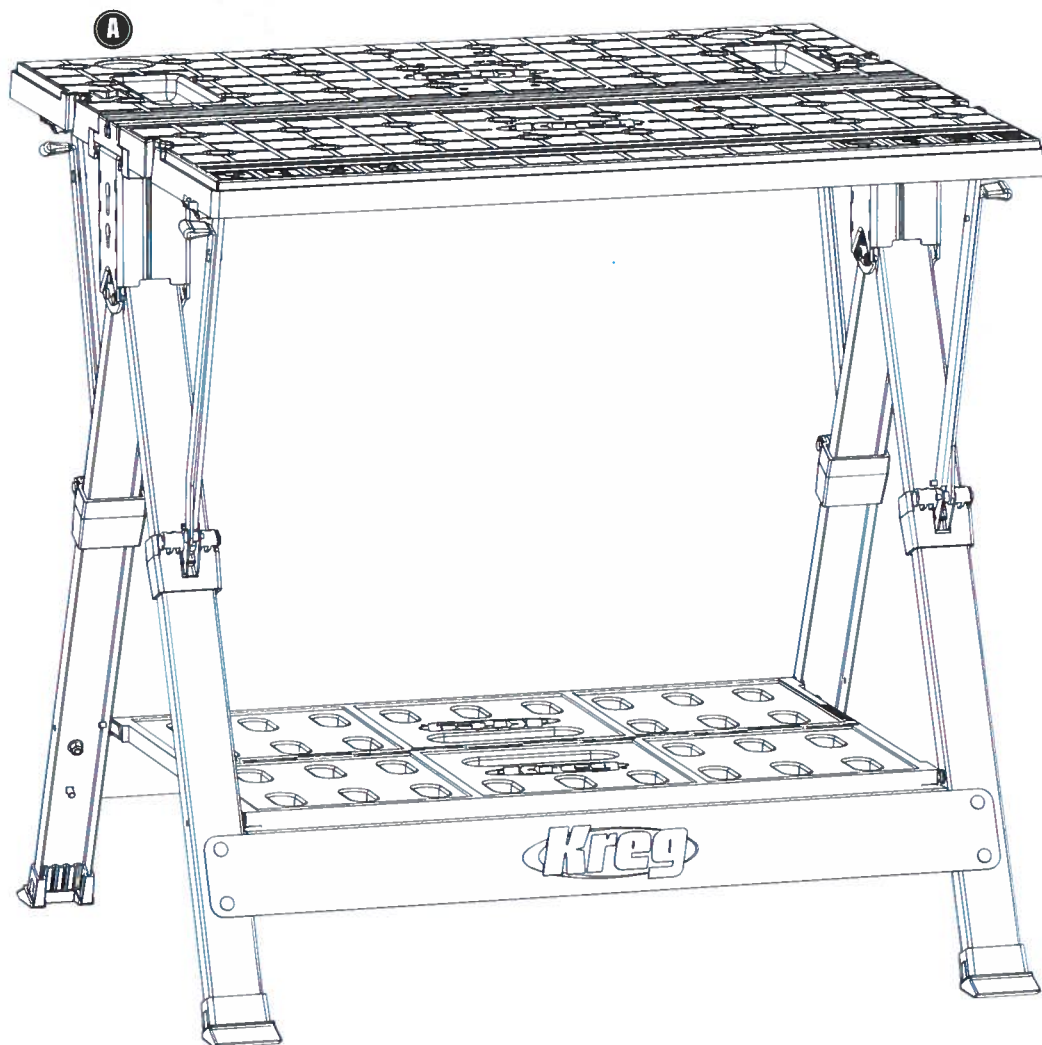
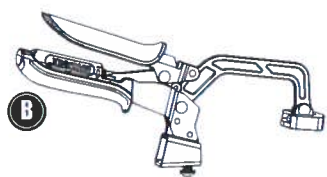
This is Kreg Tool Company's sole warranty. Any and all other warranties which may be implied by law, including any warranties for merchantability or fitness for a particular purpose, are hereby limited to the duration of this warranty. Kreg Tool Company shall not be liable for any loss, damage or expense directly or indirectly related to the use of its products or from any other cause or for consequential damages (including without limitation, loss of time, inconvenience and loss of production). The warranty contained herein may not be modified and no other warranty, expressed or implied, shall be made by or on behalf of Kreg Tool Company.

For your records the following information will be useful in the event a warranty claim is required. For complete records attach copy of proof of purchase.

Date of Purchase \_\_\_/\_\_\_/\_\_\_

Purchased From: \_\_\_\_\_

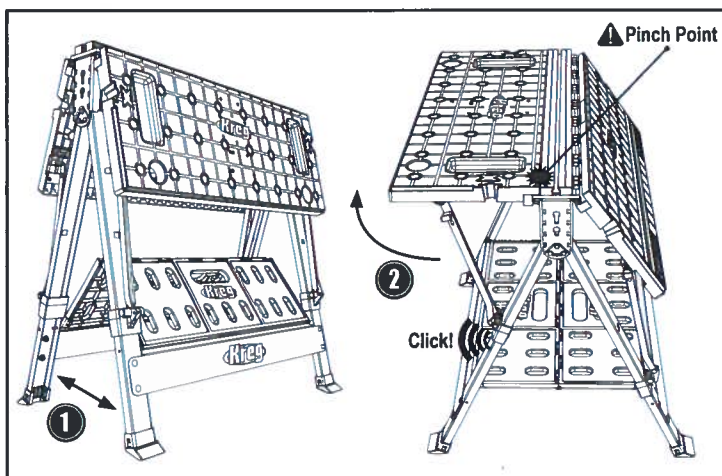
# PARTS



## Items Included:

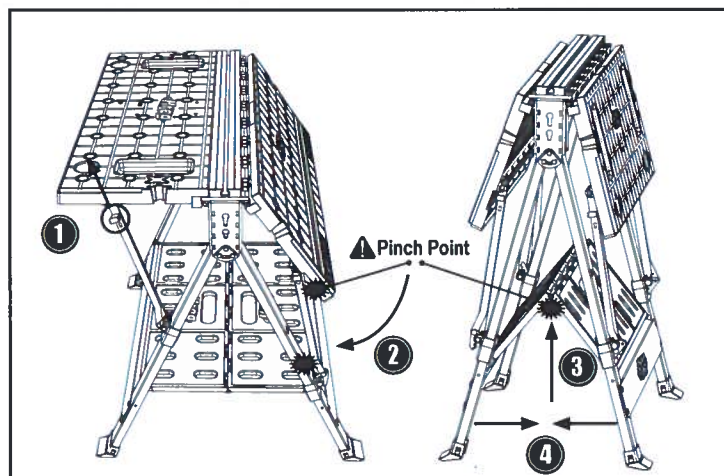
- (A) Mobile Project Center
- (B) 3" Bench Clamp with Automaxx®
- (C) Support Brackets (2)
- (D) Kreg® Bench Dogs (4)
- (E) Trak Bushings (2) and Screws (2)
- (F) Connection Keys (2)

## SETUP



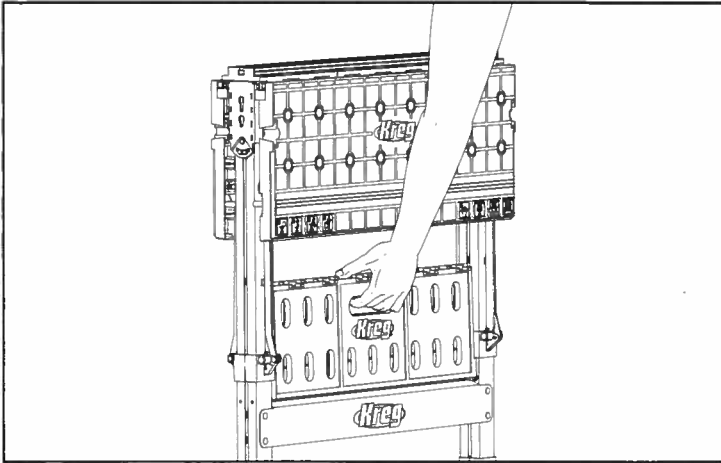
- (1) Spread legs.
- (2) Raise table tops. Make sure all brace locks engage.

## STORE



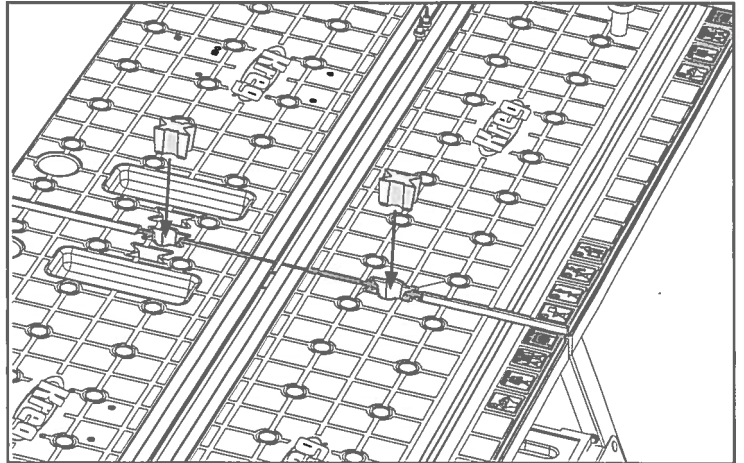
- (1) Lift tabs to disengage brace locks. (2) Lower table tops.
- (3) Lift shelf. (4) Close legs.

## CARRYING



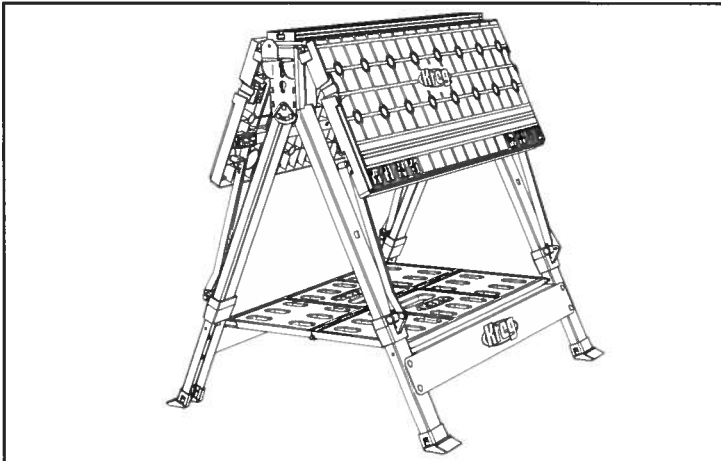
To prevent accidental unfolding, always carry by the shelf hand holes.

## CONNECTING



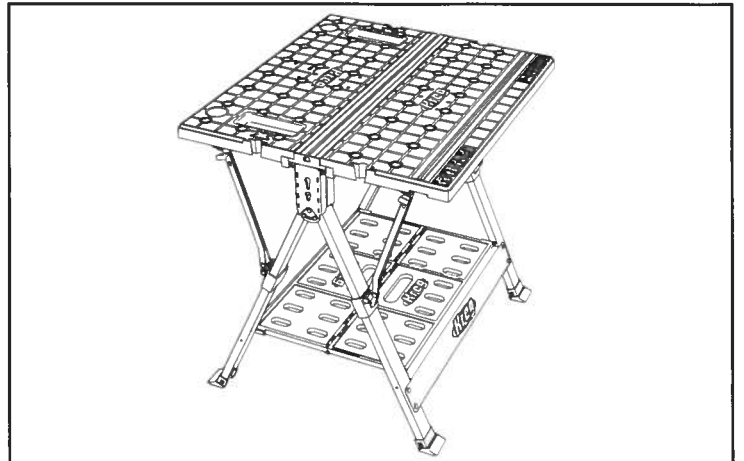
Connection Keys secure two Mobile Project Centers.

## SAWHORSE



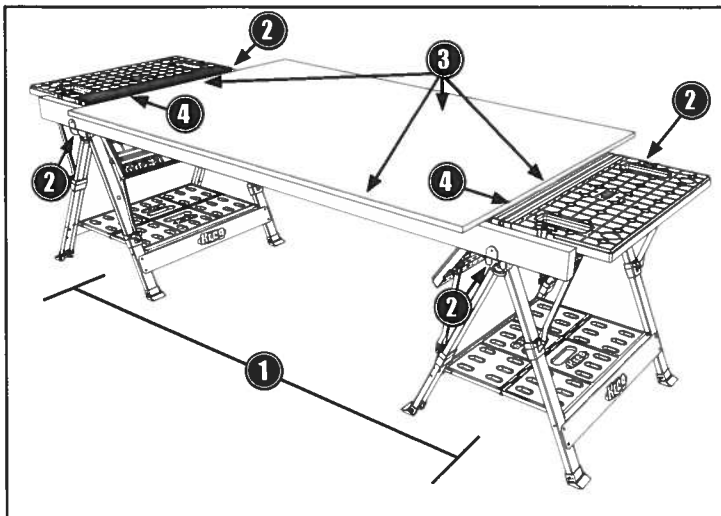
Legs spread, table tops down

## TABLE



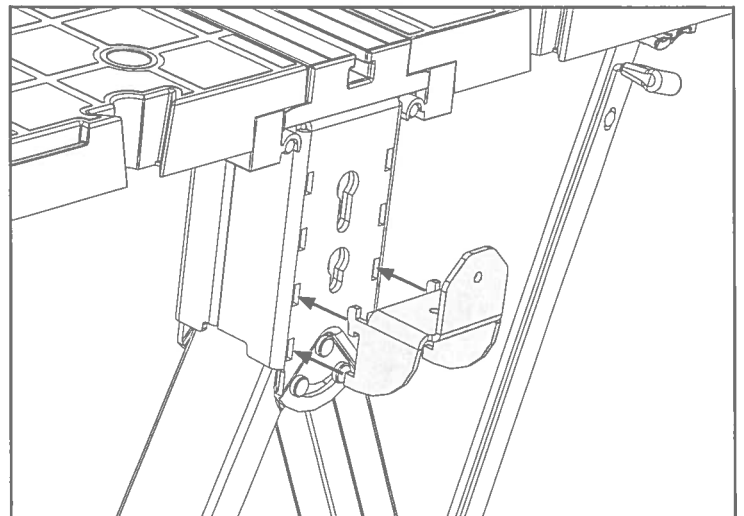
Legs spread, table tops up

## EXPANDED TABLE SETUP



- (1) Two Mobile Project Centers placed maximum 7 feet apart.
- (2) Support Brackets in lower position, one 2x4 in each pair of Brackets.
- (3)  $\frac{3}{4}$ " plywood rests on 2x4s and edges of both folded table tops.
- (4) Plywood edges placed tightly against both Clamp Traks.
- (5) Distribute weight uniformly.

## BRACKET POSITION: EXPANDED TABLE

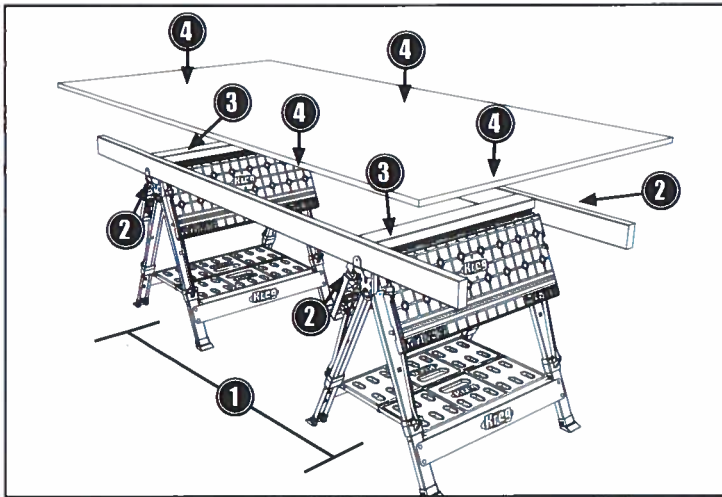


Mount Support Brackets in lower slots.



Maximum 2,200 lb. [998 kg.] load

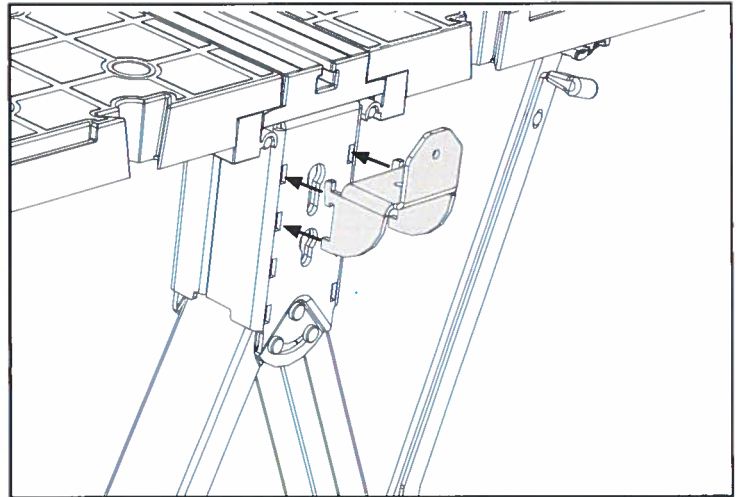
## CUTTING SETUP



- (1) Two Mobile Project Centers placed maximum 7 feet apart.
- (2) Support Brackets in upper position, one 2x4 in each pair of Brackets.
- (3) Sacrificial 2x4 installed on each Mobile Project Center.  
(See MOUNTING A SACRIFICIAL 2X4.)
- (4)  $\frac{3}{4}$ " plywood rests on 2x4s and sacrificial 2x4s.
- (5) Distribute weight uniformly.

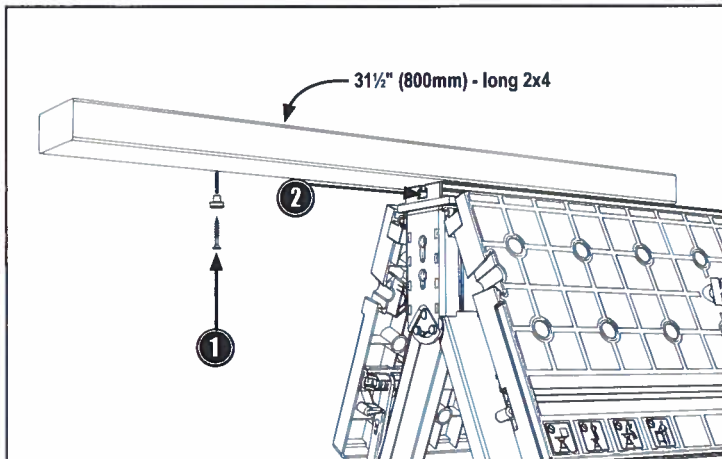
**⚠ WARNING** Maximum 2,200 lb. [998 kg.] load

## BRACKET POSITION: CUTTING SETUP



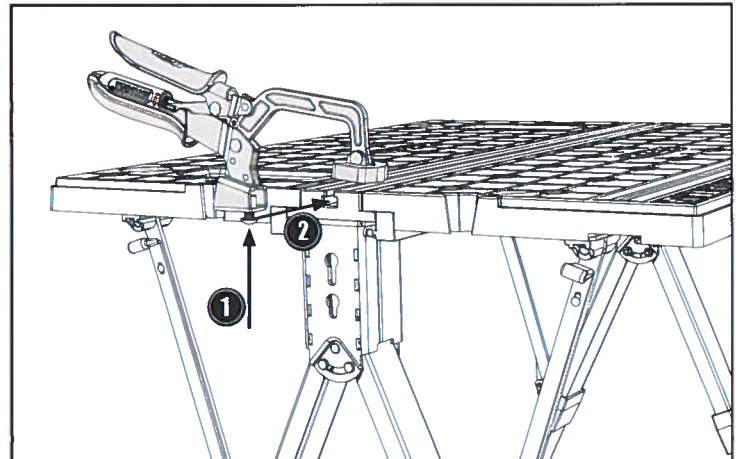
Mount the Support Brackets in upper slots.

## MOUNTING A SACRIFICIAL 2x4



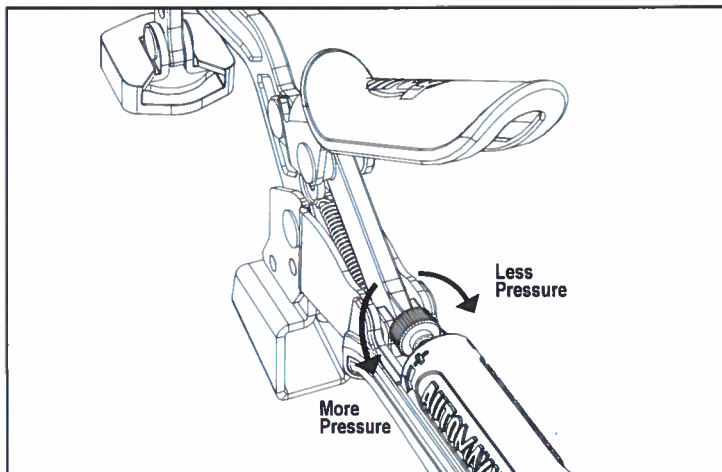
- (1) Fasten the Trak Bushings to the 2x4 and (2) slide them onto the T-slot.

## MOUNTING THE BENCH CLAMP

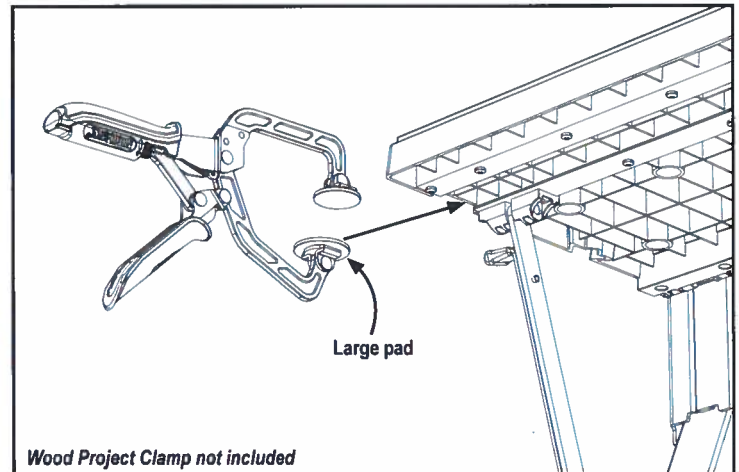


- (1) Adjust the clamp anchor screw and (2) slide it into the T-slot.

## ADJUSTING BENCH CLAMP PRESSURE



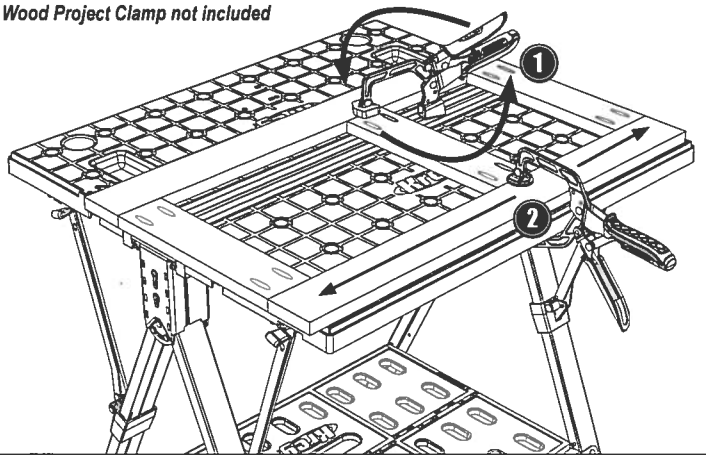
## USING A KREG WOOD PROJECT CLAMP



Slide the large pad into the T-slot.

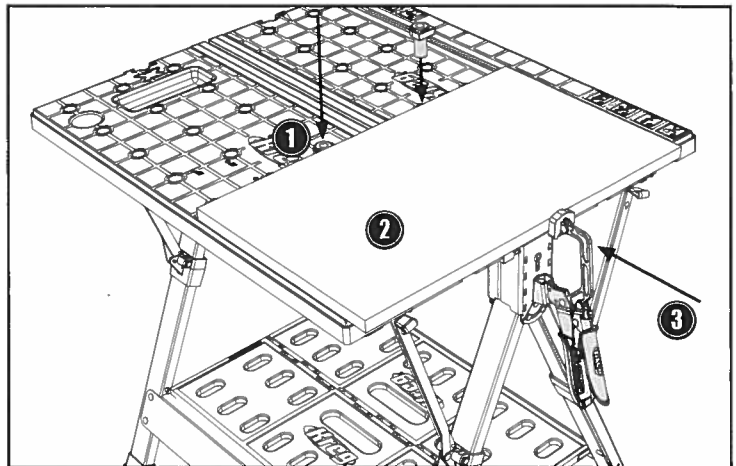
## TABLE TOP CLAMPING

Wood Project Clamp not included



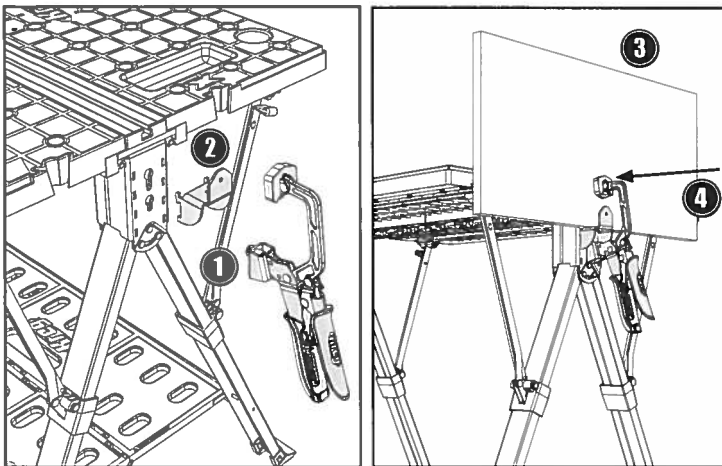
(1) The Bench Clamp rotates 360°. (2) Slide a Wood Project Clamp (optional accessory) anywhere along the edge.

## CLAMPING WITH BENCH DOGS



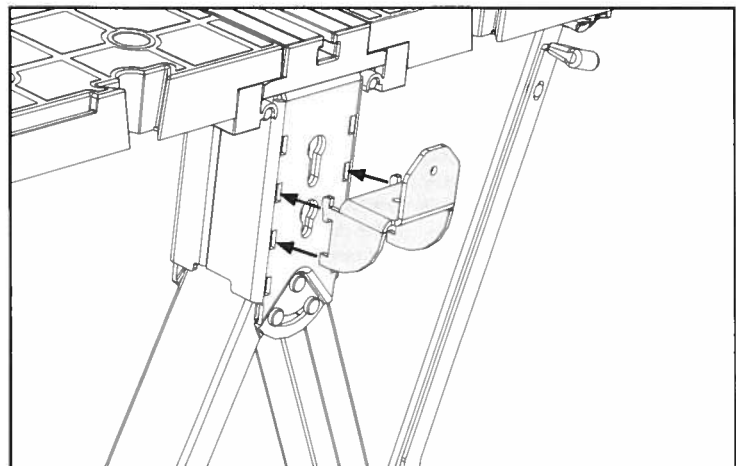
(1) Insert Bench Dogs into holes, (2) position workpiece and (3) clamp.

## CLAMP VICE



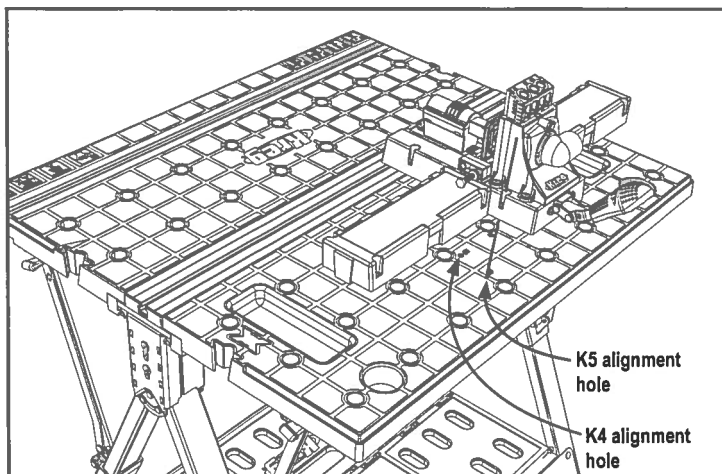
(1) Install the Bench Clamp in lower keyhole slot.  
 (2) Install the Support Bracket in middle slots.  
 (3) Rest the workpiece on Bracket and (4) clamp.

## BRACKET POSITION: CLAMP VICE



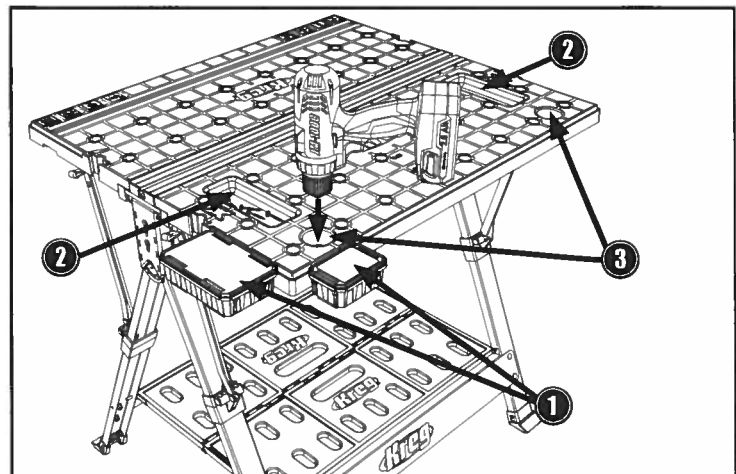
Mount the Support Bracket in the middle slots.

## MOUNTING A KREG JIG®



Align the jig with the corresponding holes for either K4 or K5.

## ADDITIONAL FEATURES



(1) Hang Kreg screw containers from the edges of the table tops.

**⚠ ATTENTION** Hang only Kreg 100-count and 250-count screw containers  
 (2) Store hardware in the recessed trays.  
 (3) Drill Holsters keep a drill/driver handy.

# Allgemeine Sicherheitsanweisungen

**!** **ACHTUNG** Beachten Sie bei der Verwendung von Elektrowerkzeug mit diesem Produkt stets die Anweisungen des Werkzeugherstellers zusätzlich zu den unten angegebenen Sicherheitsanweisungen, um das Risiko für Brände, Stromschläge und Personenschäden zu verringern. Lesen Sie vor der Inbetriebnahme dieses Produkts alle Anweisungen sorgfältig durch. **BEWAHREN SIE DIESE ANLEITUNG AUF.**

## 1) Arbeitsplatzsicherheit

- Sorgen Sie dafür, dass der Arbeitsbereich stets sauber und gut beleuchtet ist. Unordentliche oder dunkle Bereiche begünstigen Unfälle.
- Verwenden Sie Elektrowerkzeug nicht in gefährlichen Umgebungen. Verwenden Sie Elektrowerkzeug nicht an feuchten oder nassen Orten und setzen Sie sie keinem Regen aus.
- Verwenden Sie Elektrowerkzeug nicht in explosiver Atmosphäre wie zum Beispiel bei Vorhandensein entzündlicher Flüssigkeiten, Gase oder Stäube. Elektrowerkzeug erzeugt Funken, die Dämpfe oder Staub entzünden können.
- Halten Sie Kinder und Zuschauer fern, wenn Sie mit einem Elektrowerkzeug arbeiten. Ablenkung kann dazu führen, dass Sie die Kontrolle verlieren.
- Machen Sie Ihre Werkstatt kindersicher. Verwenden Sie Vorhängeschlösser, Generalschalter oder entfernen Sie Zündschlüssel.

## 2) Elektrische Sicherheit

- Erden Sie Elektrowerkzeug. Wenn das Werkzeug mit einem Schutzkontaktstecker ausgestattet ist, sollte es nur mit geerdeten Schutzkontaktsteckdosen verbunden werden. Wenn keine geeignete Steckdose verfügbar ist, lassen Sie diese durch einen qualifizierten Elektriker installieren. Entfernen Sie niemals den dritten Stift und verändern Sie den mitgelieferten Stecker in keiner Weise.
- Setzen Sie Ihr Elektrowerkzeug nicht Regen oder nassen Bedingungen aus. In das Elektrowerkzeug eindringendes Wasser erhöht das Risiko eines Stromschlags.
- Das Kabel darf nicht zweckentfremdet werden. Verwenden Sie das Kabel nie zum Tragen oder Ziehen des Werkzeuges sowie zum Ziehen des Steckers des Elektrowerkzeugs. Halten Sie das Kabel von Hitze, Öl, scharfen Kanten und beweglichen Teilen fern. Beschädigte oder verwickelte Kabel erhöhen das Risiko eines Stromschlags.
- Verwenden Sie ein geeignetes Verlängerungskabel und stellen Sie sicher, dass es in gutem Zustand ist. Achten Sie bei der Verwendung eines Verlängerungskabels darauf, dass es stark genug ist, um den Strom zu leiten, den Ihr Werkzeug benötigt. Ein zu schwaches Kabel verursacht ein Abfallen der Leitungsspannung, das zu einem Leistungsverlust und zu Überhitzung führt. Tabelle 1 gibt den korrekten Kabeldurchmesser je nach Kabellänge und Nennspannung des Werkzeugs an. Verwenden Sie im Zweifelsfall den nächstgrößeren Kabeldurchmesser. Je geringer die Lehrenummer, desto stärker das Kabel.
- Vermeiden Sie während der Arbeit mit Elektrowerkzeug Körperkontakt mit geerdeten Oberflächen wie Rohren, Heizkörpern, Küchenherden und Kühlschränken. Der Kontakt mit einer geerdeten Oberfläche erhöht das Risiko eines Stromschlags.

## 3) Personensicherheit

- Seien Sie stets aufmerksam, achten Sie darauf, was Sie tun, und nutzen Sie bei der Arbeit mit einem Elektrowerkzeug Ihren gesunden Menschenverstand. Arbeiten Sie nicht mit Elektrowerkzeug, wenn Sie müde sind oder unter dem Einfluss von Drogen, Alkohol oder Medikamenten stehen. Ein Augenblick der Unachtsamkeit während der Arbeit mit einem Elektrowerkzeug kann zu schweren Verletzungen führen.
- Tragen Sie stets eine Schutzbrille. Brillen für den Alltagsgebrauch sind keine Schutzbrillen. Schutzbrillen haben speziell angefertigte Gläser, Rahmen und Seitenabschirmungen.
- Verwenden Sie Sicherheitsausrüstung. Verwenden Sie eine Gesichts- oder Staubmaske, wenn der Schneidvorgang Staub erzeugt. Sicherheitsausrüstung wie Schutzmaske, rutschfeste Sicherheitsschuhe, Helm und Ohrenschützer, die für die entsprechenden Arbeitsumstände genutzt werden, reduzieren das Verletzungsrisiko.
- Vermeiden Sie ein unbeabsichtigtes Ingangsetzen. Achten Sie darauf, dass der Schalter auf „Aus“ steht, bevor Sie das Werkzeug an die Steckdose anschließen. Das Tragen von Elektrowerkzeug mit dem Finger auf dem Schalter oder das Anschließen von eingeschaltetem Elektrowerkzeug begünstigt Unfälle.
- Entfernen Sie alle Einstellschlüssel, bevor Sie das Elektrowerkzeug einschalten. Ein an einem rotierenden Teil eines Elektrowerkzeugs verbleibender Schlüssel kann zu Verletzungen führen.
- Überschätzen Sie sich nicht. Sorgen Sie jederzeit für einen sicheren Stand und Gleichgewicht. Dies ermöglicht eine bessere Kontrolle über das Elektrowerkzeug in unerwarteten Situationen.
- Sichern Sie Werkstücke. Verwenden Sie wenn möglich einen Schraubstock, um das Werkstück festzuhalten. Das ist sicherer, als es in der Hand zu halten, und lässt beide Hände für die Bedienung des Werkzeugs frei.
- Stellen Sie sich niemals auf die Maschine. Wenn das Werkzeug umkippt oder das Schneidwerkzeug versehentlich berührt wird, kann dies zu schweren Verletzungen führen.
- Kleiden Sie sich angemessen. Tragen Sie keine lose Kleidung oder Schmuck. Halten Sie Ihre Haare, Ihre Kleidung und Ihre Handschuhe von beweglichen Teilen fern. Lose Kleidung, Schmuck oder lange Haare können sich in beweglichen Teilen verfangen. Krempeln Sie lange Ärmel bis zum Ellbogen hoch. Tragen Sie einen geeigneten Kopfschutz, um lange Haare zusammenzuhalten.
- Wenn Staubabsaug- und -auffangeinrichtungen montiert werden können, vergewissern Sie sich, dass diese angeschlossen sind und richtig verwendet werden. Die Verwendung einer Staubabsaugung kann Gefährdungen durch Staub verringern.

## 4) Verwendung und Behandlung des Elektrowerkzeugs

- Halten Sie Schutzvorrichtungen an ihrem Platz und in gutem Zustand.
  - Überlasten Sie das Gerät nicht. Verwenden Sie für Ihre Arbeit das dafür bestimmte Elektrowerkzeug. Mit dem passenden Elektrowerkzeug arbeiten Sie besser und sicherer im angegebenen Leistungsbereich.
  - Verwenden Sie das richtige Werkzeug. Zwingen Sie ein Werkzeug oder einen Aufsatz nicht zu Arbeiten, für die sie nicht vorgesehen sind.
  - Verwenden Sie das Elektrowerkzeug nicht, wenn der Schalter es nicht ein- und ausschaltet. Jedes Elektrowerkzeug, das nicht über den Schalter bedient werden kann, ist gefährlich und muss repariert werden.
  - Trennen Sie den Stecker von der Stromquelle und/oder den Akku vom Elektrowerkzeug, bevor Sie Einstellungen vornehmen, Zubehör austauschen oder das Elektrowerkzeug lagern. Diese Vorsichtsmaßnahmen reduzieren das Risiko eines unbeabsichtigten Ingangsetzens des Elektrowerkzeugs.
  - Lassen Sie das Werkzeug niemals unbeaufsichtigt in Betrieb. Schalten Sie den Strom aus. Verlassen Sie das Werkzeug nicht, ehe es vollständig zum Stillstand gekommen ist.
  - Bewahren Sie nicht benutztes Elektrowerkzeug außerhalb der Reichweite von Kindern auf und lassen Sie Personen, die nicht mit dem Elektrowerkzeug und dieser Anleitung vertraut sind, das Elektrowerkzeug nicht bedienen. Elektrowerkzeug ist in den Händen ungeübter Benutzer gefährlich.
  - Warten Sie Elektrowerkzeug. Überprüfen Sie es auf schlecht justierte oder festgefressene bewegliche Teile, defekte Teile und andere Zustände, die sich auf den Betrieb des Elektrowerkzeugs auswirken können. Falls das Elektrowerkzeug beschädigt ist, lassen Sie es vor der Verwendung reparieren. Viele Unfälle werden durch schlecht gewartetes Elektrowerkzeug verursacht.
  - Halten Sie Schneidwerkzeug scharf und sauber. Ordnungsgemäß gewartetes Schneidwerkzeug mit scharfen Schneidekanten frisst sich nicht so leicht fest und ist einfacher zu bedienen.
  - Wählen Sie die für das Schneidwerkzeug oder -zubehör und das Werkmaterial empfohlene Geschwindigkeit.
  - Verwenden Sie nur Teile und Zubehör, die vom Hersteller empfohlen wurden. Informieren Sie sich im Benutzerhandbuch über das empfohlene Zubehör. Die Verwendung ungeeigneten Zubehörs kann zu Verletzungen führen.
  - Verwenden Sie das Werkzeug, das Zubehör und die Werkzeugeinsätze gemäß dieser Anleitung und auf die Weise, die für die spezielle Art von Elektrowerkzeug vorgesehen ist, unter Berücksichtigung der Arbeitsbedingungen und der auszuführenden Arbeiten. Die Verwendung des Elektrowerkzeugs für andere als die vorgesehenen Tätigkeiten kann zu gefährlichen Situationen führen.
- ## 5) Kundendienst
- Lassen Sie den Kundendienst an Ihrem Elektrowerkzeug von einem qualifizierten Mechaniker unter ausschließlicher Verwendung identischer Ersatzteile durchführen. So gewährleisten Sie die fortgesetzte Sicherheit Ihres Elektrowerkzeugs.

## 6) Spezifische Sicherheitsanweisungen für das Kreg Mobile Project Center

- Fassen Sie beim Aufklappen der Tischflächen diese mit beiden Händen an den äußeren Ecken und ziehen Sie sie nach oben. Achten Sie darauf, dass die Stützen voll eingerastet sind.
- Fassen Sie beim Zusammenklappen der Tischflächen die Entriegelungslaschen für die Stützen mit beiden Händen. Ziehen Sie an den Laschen und drücken Sie die Tischfläche nach unten. Halten Sie die Hände von möglichen Quetschkanten fern.
- Arbeiten Sie stets auf einer trockenen, ebenen Oberfläche.
- Beachten Sie die Sicherheitsanweisungen des Werkzeugherstellers, wenn Sie Elektrowerkzeug mit dem Mobile Project Center verwenden.
- Bringen Sie Stationärwerkzeug stets mittig über der Führungsrinne der beweglichen Schraubzwinge an, um ein Umkippen zu vermeiden.
- Wenn Sie zwei Mobile Project Center im Verbundmodus verwenden, wird der Einsatz von Querträgerlatten für zusätzliche Festigkeit empfohlen.
- Das Mobile Project Center ist nicht für die Nutzung im Freien oder unter feuchten Bedingungen vorgesehen.
- Bewahren Sie das Mobile Project Center stets in Innenräumen oder in einem vor Wetter geschützten Bereich auf.
- Stellen oder setzen Sie sich nicht auf das Mobile Project Center und verwenden Sie das Mobile Project Center nicht als Arbeitsbühne oder zu anderen Zwecken, die nicht in diesem Handbuch aufgeführt sind.
- Treten Sie nicht auf das Ablagebrett.
- Hängen Sie keine Gegenstände an das Mobile Project Center, außer wie in diesem Handbuch angegeben.



# Allgemeine Sicherheitsanweisungen

## Richtlinien für den Gebrauch von Verlängerungskabeln

Verlängerungskabel dürfen nur für vorübergehende Zwecke genutzt werden. Sie ersetzen nicht die erforderliche Installation von Steckdosen und einer ordnungsgemäßen Verkabelung, wo dies notwendig ist.

### In der Werkstatt und auf Baustellen:

1. Es dürfen jederzeit nur Verlängerungskabel mit einem Schutzleiter verwendet werden.
2. Verlängerungskabel müssen vor Beschädigungen geschützt werden und dürfen nicht durch Türen oder Fenster verlegt werden, wenn die Türen oder Fenster geschlossen werden und so das Kabel beschädigen können.
3. Verlängerungskabel müssen mindestens 16 AWG (Durchmesser 1,31 mm<sup>2</sup>) haben und für das damit verwendete Gerät klassifiziert sein.
4. Verlängerungskabel müssen regelmäßig überprüft werden, um sicherzustellen, dass die Isolierung und die Leitfähigkeit der Kabel nicht beeinträchtigt werden.
5. Verlängerungskabel sollten nicht durch Wasser geführt werden oder auf eine Weise verbunden werden, dass sie angesammeltem Wasser ausgesetzt sein könnten.

TABELLE 1

Nennspannung @120 V	Länge des Verlängerungskabels					
	25'	50'	75'	100'	150'	200'
	Empfohlener Kabeldurchmesser					
0 - 5	16	16	16	14	12	12
5,1 - 8	16	16	14	12	10	NE
8,1 - 12	14	14	12	10	NE	NE
12,1 - 16	12	12	NE	NE	NE	NE

NE – Nicht empfohlen



### GEFAHR EINES STROMSCHLAGS

Die Metallteile dieses Produkts leiten Strom. Vermeiden Sie alle Situationen, die zu einem Kontakt mit Elektrizität führen können. Nicht ordnungsgemäß geerdetes Elektrowerkzeug stellt ein Risiko für einen Stromschlag dar, der zu schwerer Körperverletzung oder zum Tode führen kann, insbesondere bei Verwendung an einem feuchten Ort, in der Nähe von Rohrleitungen und anderen geerdeten Oberflächen sowie im Freien.

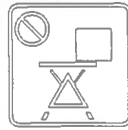


**ACHTUNG** Der beim Schleifen, Sägen, Schmirgeln, Bohren und anderen Bautätigkeiten entstehende Staub kann Chemikalien enthalten, die im Bundesstaat Kalifornien als Ursache für Krebs sowie Geburtsfehler oder andere Schädigungen der Fortpflanzungsfähigkeit gelten. Beispiele für diese Chemikalien sind:

- a) Blei aus Farben auf Bleibasis
- b) Kristallines Siliziumdioxid von Ziegeln, Zement und anderen Mauerprodukten
- c) Arsen und Chrom aus chemisch behandeltem Bauholz

Ihr Risiko der Exposition gegenüber diesen Chemikalien hängt davon ab, wie oft Sie diese Art von Arbeiten ausführen. Sie können Ihre Exposition verringern, indem Sie in einem gut belüfteten Bereich mit zugelassener Sicherheitsausrüstung arbeiten, zum Beispiel mit einer speziellen Staubmaske, die mikroskopische Partikel herausfiltert.

## Erklärung der Sicherheitssymbole am Mobile Project Center



Vermeiden Sie asymmetrische Lasten.



Stellen Sie sich nicht auf das Mobile Project Center.



Setzen Sie sich nicht auf das Mobile Project Center.



Stellen Sie sich nicht auf das Ablagebrett.



Tragen Sie stets eine Schutzbrille.



Höchstbelastung, wenn beide Tischflächen ausgeklappt sind: 350 lbs. [158 kg] gleichmäßig verteilt; 100 lbs. [45 kg] gleichmäßig verteilt auf jedem Tischflügel.



Höchstbelastung, zwei Mobile Project Center, Tischflächen nicht ausgeklappt: 2.200 lbs. [998 kg].



Höchstbelastung auf dem Ablagebrett: 25 lbs. [11 kg]

## Gewährleistung für das Kreg Mobile Project Center

Die Kreg Tool Company gibt nur dem Original-Käufer die Gewährleistung auf die Mängelfreiheit des Kreg Mobile Project Centers in Material und Verarbeitung für einen Zeitraum von drei (3) Jahren ab dem Kaufdatum. Die Kreg Tool Company repariert oder ersetzt nach eigener Wahl jedes Produkt (oder einen Bestandteil desselben), das innerhalb der genannten Gewährleistungsfrist einen Mangel aufweist. Diese Gewährleistung gilt nur für Produkte, die gemäß allen Anweisungen verwendet werden, die in den von der Kreg Tool Company bereitgestellten Katalogen, Handbüchern und/oder Anweisungslisten angegeben sind.

Diese Gewährleistung wird nur wirksam, wenn der Original-Käufer die Online-Produktregistrierung ([www.kregtool.com](http://www.kregtool.com)) vollständig und ordnungsgemäß durchführt oder den Kundenservice der Kreg Tool Company anruft (1-800-447-8638).

Diese Gewährleistung ist null und nichtig, (1) wenn das Produkt falsch eingesetzt, missbraucht oder falsch gelagert wurde; (2) im Falle eines Unfalls, einer Unterlassung, eines Schadens oder anderer Umstände, die außerhalb des Einflussbereichs der Kreg Tool Company liegen; (3) wenn das Produkt ohne Genehmigung der Kreg Tool Company modifiziert, auseinandergenommen, manipuliert, verändert oder repariert wurde; und (4) für andere Käufer als den Original-Käufer. Diese Gewährleistung gilt nicht bei normalem Verschleiß, Korrosion, Abnutzung oder Reparaturen, die aufgrund natürlicher Ursachen oder höherer Gewalt erforderlich werden.

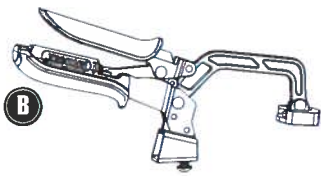
Dies ist die alleinige Gewährleistung der Kreg Tool Company. Sämtliche anderen Gewährleistungen, die sich gegebenenfalls aus dem Gesetz ergeben, einschließlich der Gewährleistung der Marktgängigkeit oder der Eignung für einen bestimmten Zweck, werden hiermit auf die Dauer dieser Gewährleistung beschränkt. Die Kreg Tool Company haftet nicht für Verluste, Schäden oder Aufwendungen, die direkt oder indirekt mit der Nutzung ihrer Produkte oder jeglicher anderen Ursache in Zusammenhang stehen oder für Folgeschäden (einschließlich ohne Einschränkung Zeitverlust, Unannehmlichkeiten und Produktionseinbußen). Die hierin enthaltene Gewährleistung darf nicht geändert werden und es darf keine andere Gewährleistung, weder ausdrücklich noch stillschweigend, durch die oder im Namen der Kreg Tool Company gegeben werden.

Die folgenden Aufzeichnungen werden Ihnen für den Fall eines Gewährleistungsanspruchs von Nutzen sein. Bitte legen Sie zur Vervollständigung Ihrer Unterlagen eine Kopie des Kaufbelegs bei.

Kaufdatum \_\_\_/\_\_\_/\_\_\_

Gekauft bei: \_\_\_\_\_

# TEILE



**B**



**C**



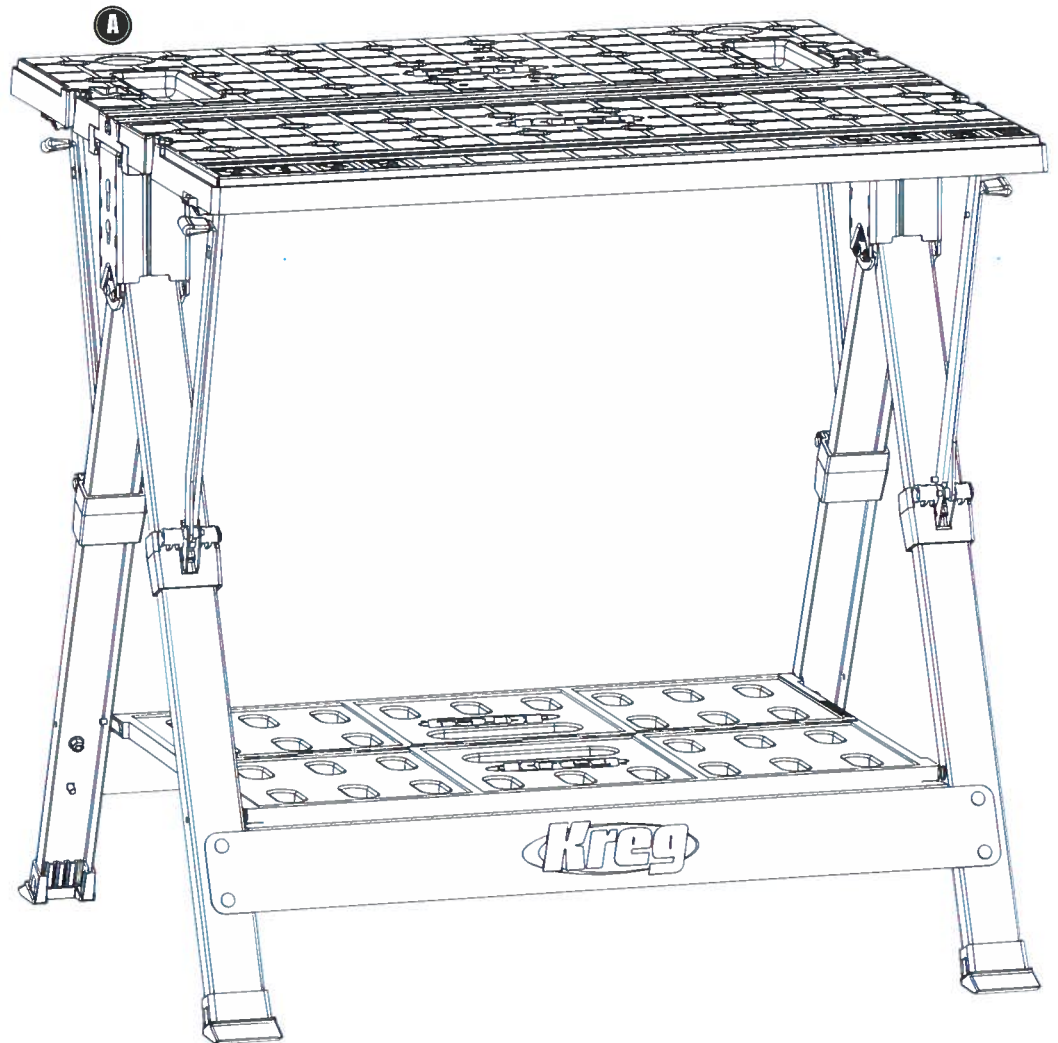
**D**



**E**



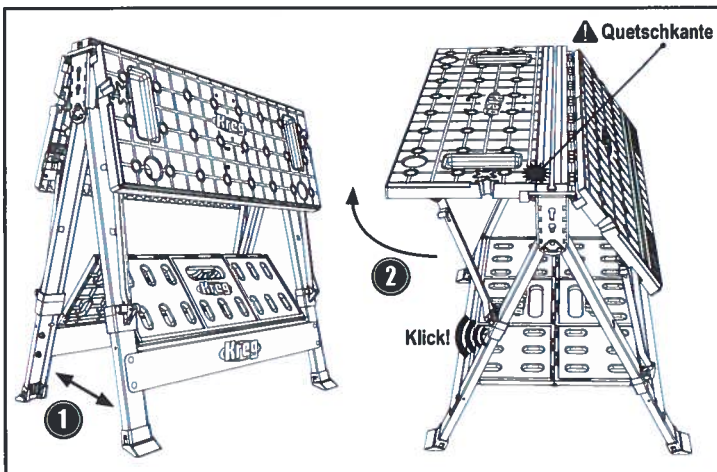
**F**



## Lieferumfang:

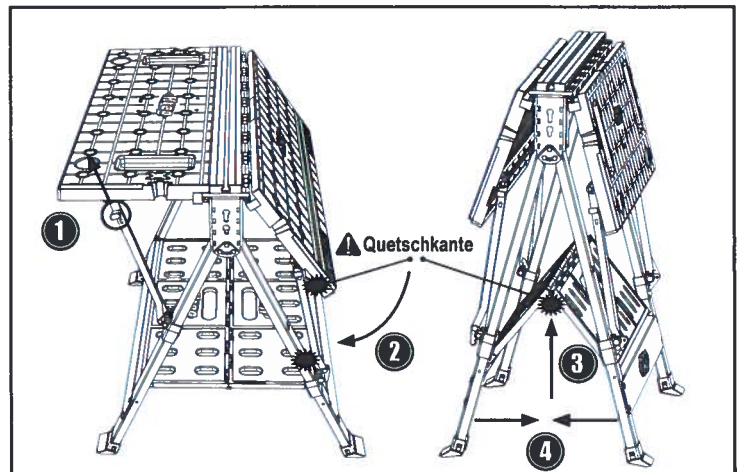
- (A) Mobile Project Center
- (B) 3" Schraubstock mit Automaxx®
- (C) Stützwinkel (2)
- (D) Kreg® Bankhaken (4)
- (E) Führungsbuchsen (2) und Schrauben (2)
- (F) Verbindungsschlüssel (2)

## AUFSTELLUNG



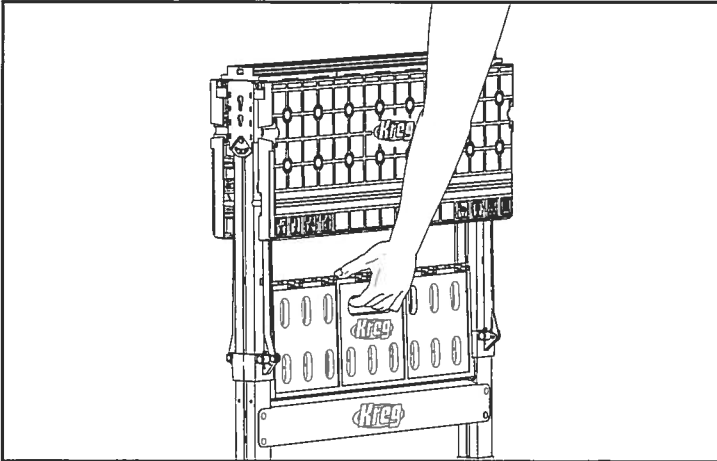
- (1) Klappen Sie die Beine aus.
- (2) Klappen Sie die Tischflächen hoch. Achten Sie darauf, dass alle Sperren der Stützen einrasten.

## AUFBEWAHRUNG



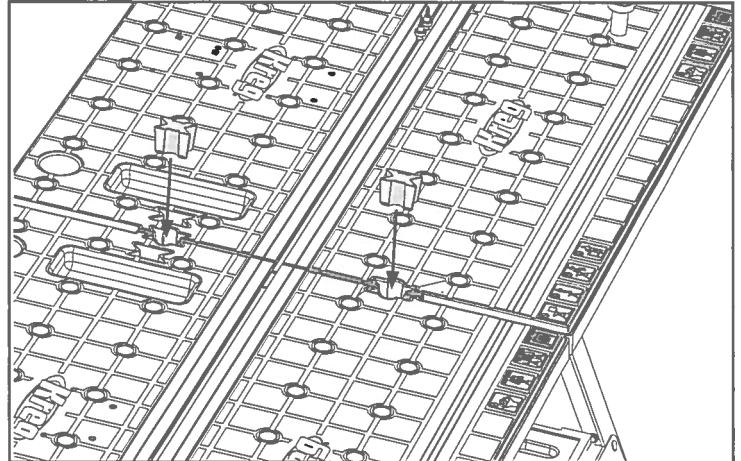
- (1) Heben Sie die Laschen an, um die Sperren der Stützen zu lösen.
- (2) Senken Sie die Tischflächen ab.
- (3) Heben Sie das Ablagebrett an. (4) Klappen Sie die Beine ein.

## TRANSPORT



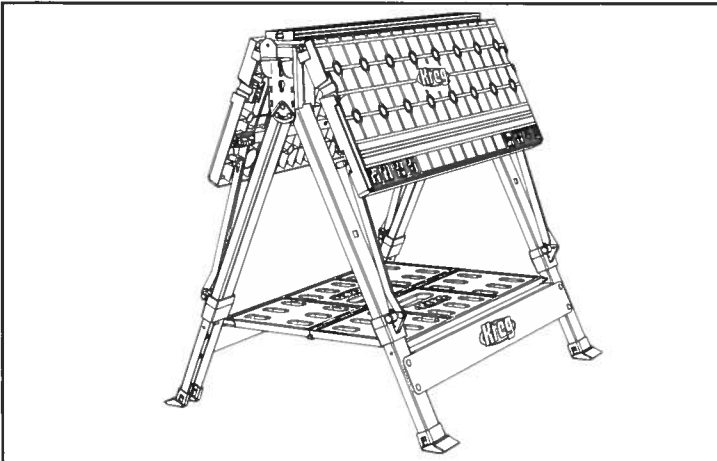
Tragen Sie es stets an den Handlöchern im Ablagebrett, um ein unbeabsichtigtes Ausklappen zu vermeiden.

## VERBINDUNG



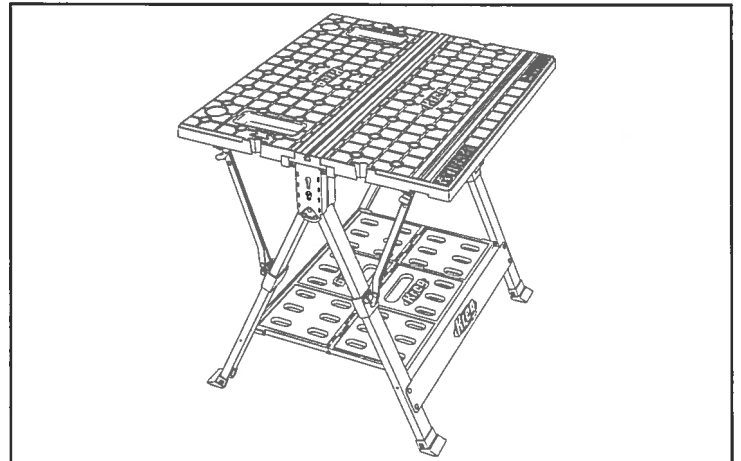
Mit den Verbindungsschlüsseln lassen sich zwei Mobile Project Center aneinander befestigen.

## SÄGEBOCK



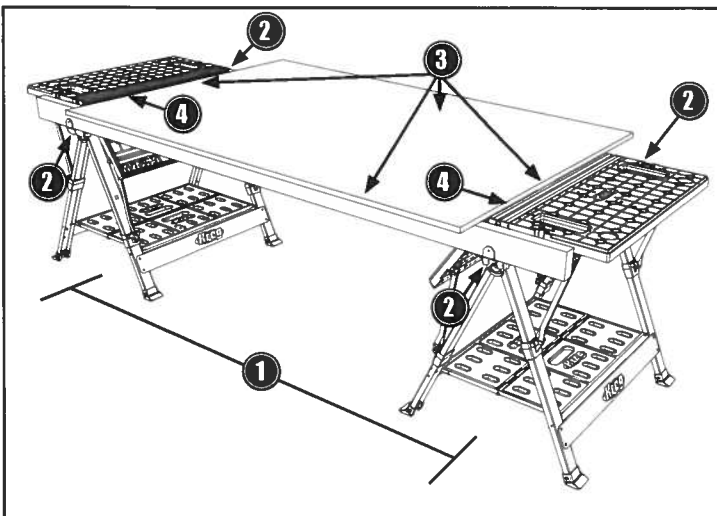
Beine ausgeklappt, Tischflächen unten

## TISCH



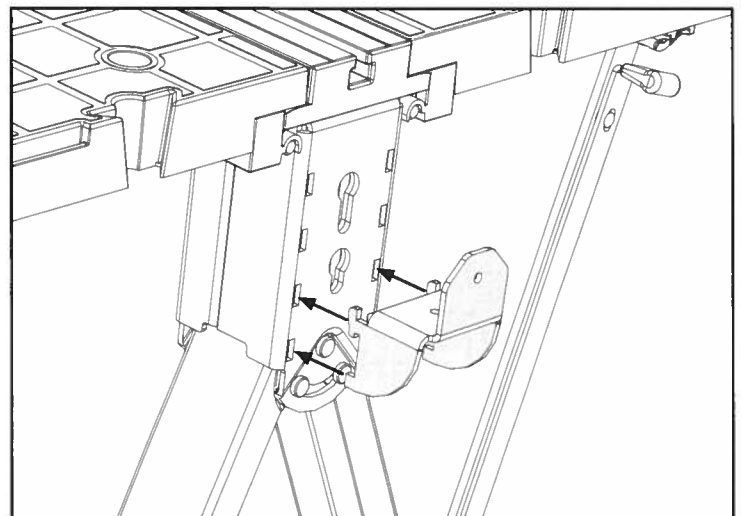
Beine ausgeklappt, Tischflächen oben

## ERWEITERTER TISCHAUFBAU



- (1) Zwei Mobile Project Center, höchstens 2,10 m (7 Fuß) voneinander entfernt aufgestellt.
- (2) Stützwinkel in der unteren Position, eine Holzlatte in jedem Paar Winkel.
- (3) Sperrholz von  $\frac{3}{4}$ " (1,9 cm) ruht auf Holzlatten und den Kanten beider zusammengeklappter Tischflächen.
- (4) Sperrholzkanten dicht an beiden Führungsschienen des beweglichen Schraubstocks.
- (5) Gewicht gleichmäßig verteilen.

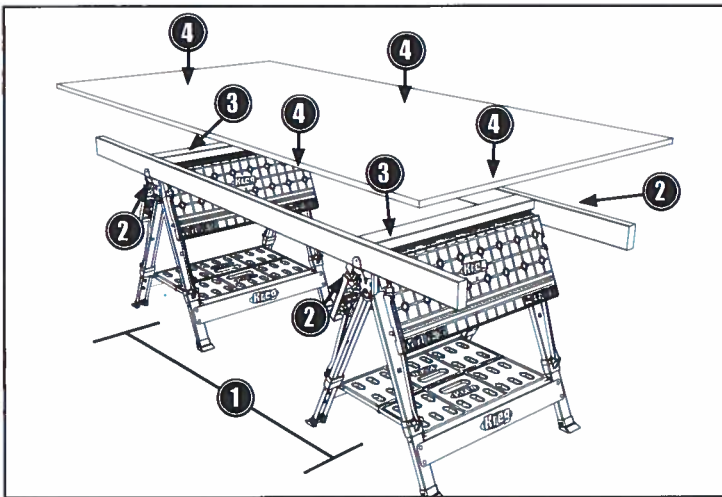
## POSITION DER STÜTZWINKEL: ERWEITERTER TISCHAUFBAU



Bringen Sie die Stützwinkel in den unteren Öffnungen an.

**⚠ ACHTUNG** Höchstlast 2.200 lb. [998 kg]

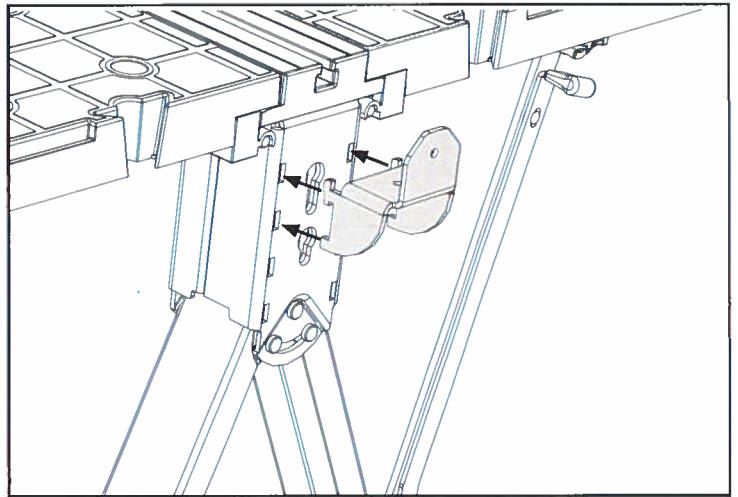
## EINRICHTUNG FÜR DAS SCHNEIDEN



- (1) Zwei Mobile Project Center, höchstens 2,10 m (7 Fuß) voneinander entfernt aufgestellt.
- (2) Stützwinkel in der oberen Position, eine Holzlatte in jedem Paar Winkel.
- (3) Eine Opferlatte, angebracht an jedem Mobile Project Center.  
(Siehe ANBRINGEN EINER OPFERLATTE.)
- (4) Sperrholz von 3/4" (1,9 cm) ruht auf Holzlatten und Opferlatten.
- (5) Gewicht gleichmäßig verteilen.

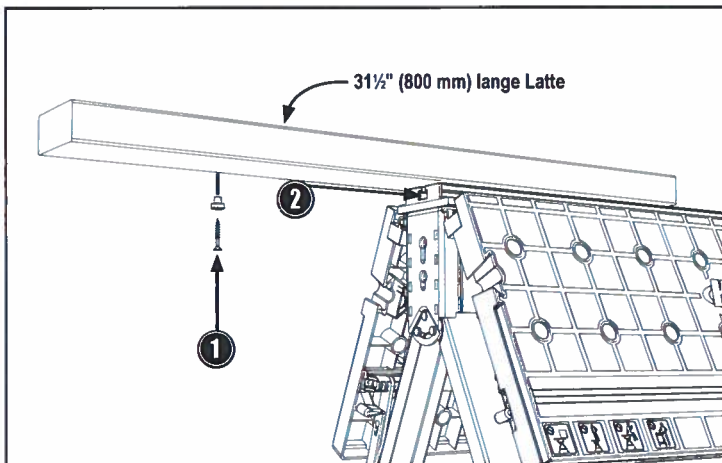
**⚠ ACHTUNG** Höchstlast 2.200 lb. [998 kg]

## POSITION DER STÜTZWINKEL: EINRICHTUNG FÜR DAS SCHNEIDEN



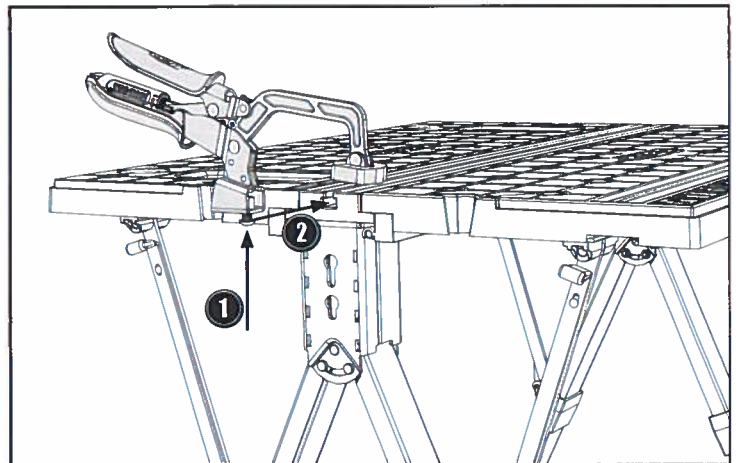
Bringen Sie die Stützwinkel in den oberen Öffnungen an.

## ANBRINGEN EINER OPFERLATTE



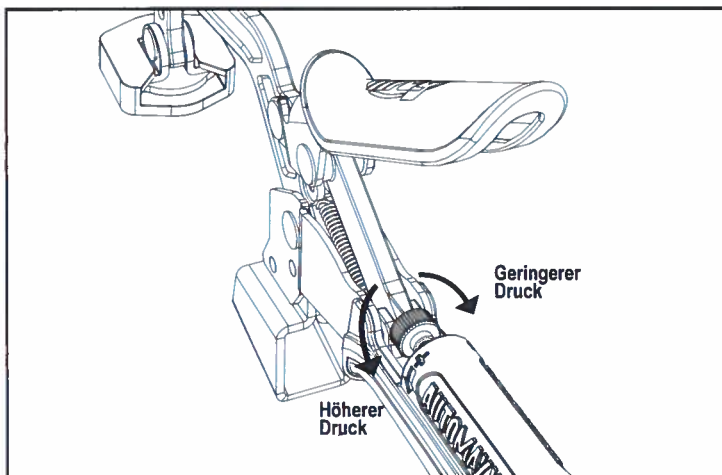
- (1) Bringen Sie die Führungsbuchsen an der Latte an und
- (2) schieben Sie sie auf die T-Öffnung.

## ANBRINGEN DES SCHRAUBSTOCKS

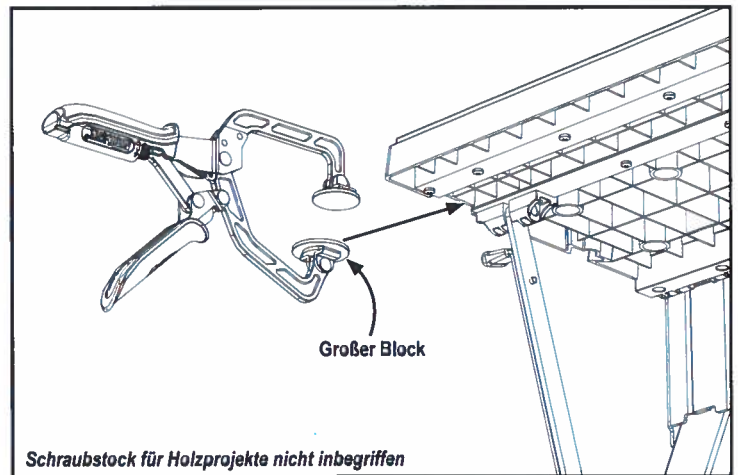


- (1) Stellen Sie die Ankerschraube der Klemme ein und
- (2) schieben Sie sie auf die T-Öffnung.

## EINSTELLEN DES SCHRAUBSTOCKDRUCKS



## VERWENDUNG EINER KLEMME FÜR HOLZPROJEKTE VON KREG

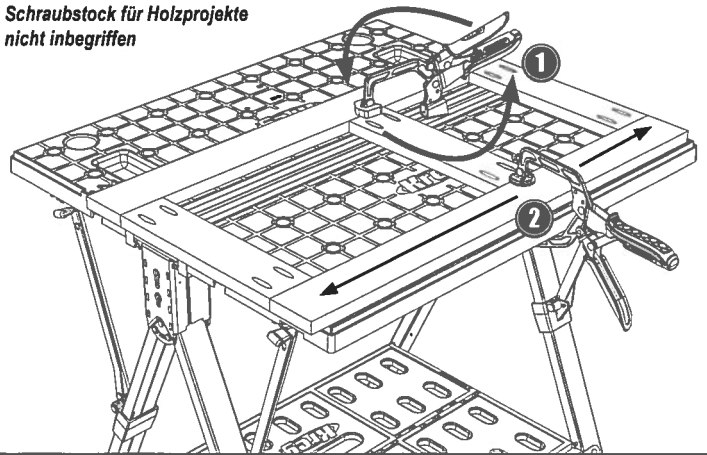


*Schraubstock für Holzprojekte nicht inbegriffen*

Schieben Sie den großen Block in die T-Öffnung.

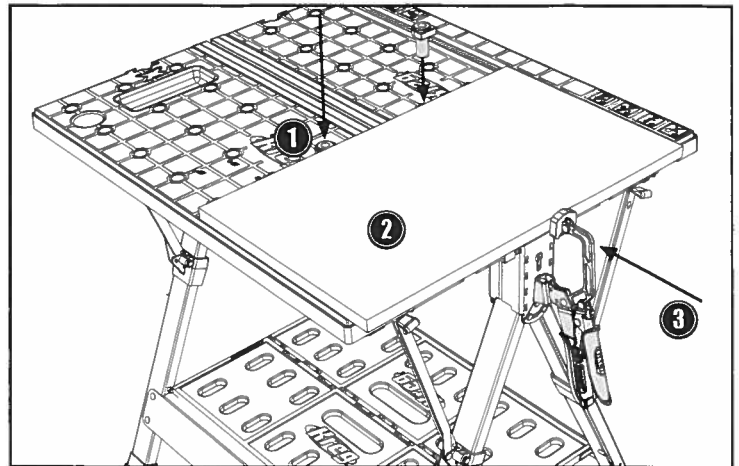
## EINSPANNEN AUF DER TISCHFLÄCHE

Schraubstock für Holzprojekte  
nicht inbegriffen



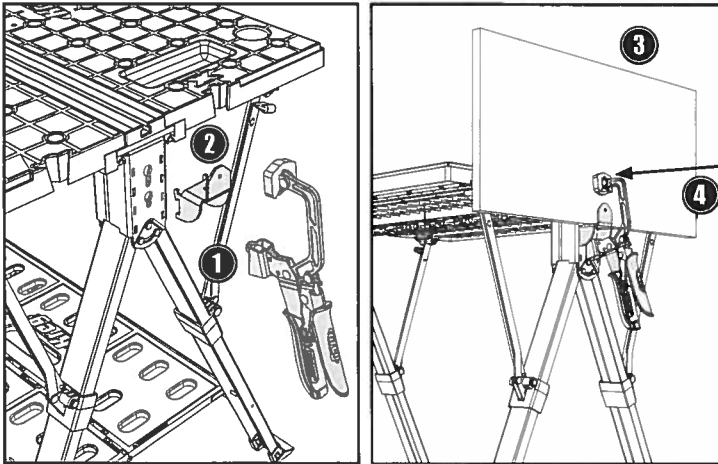
(1) Der Schraubstock ist um 360° drehbar. (2) Schieben Sie einen Schraubstock für Holzprojekte (optionales Zubehör) an eine beliebige Stelle an der Kante.

## EINSPANNEN MIT BANKHAKEN



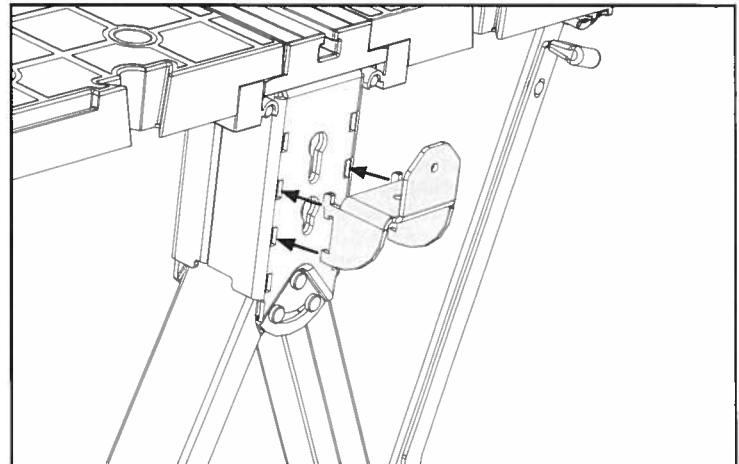
(1) Setzen Sie die Bankhaken in die Löcher ein, (2) platzieren Sie das Werkstück und (3) den Schraubstock.

## KLEMSCHRAUBSTOCK



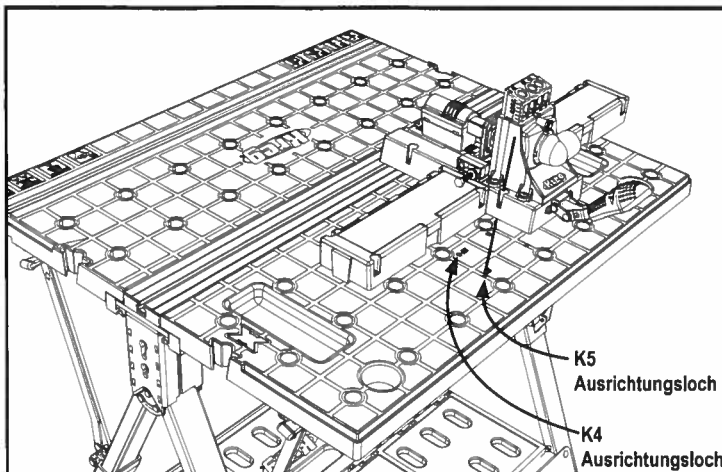
(1) Bringen Sie den Schraubstock in der unteren schlüssellochförmigen Öffnung an.  
(2) Bringen Sie die Stützwinkel in den mittleren Öffnungen an.  
(3) Legen Sie das Werkstück auf die Stütze und (4) die Klemme.

## POSITION DER STÜTZWINKEL: KLEMSCHRAUBSTOCK



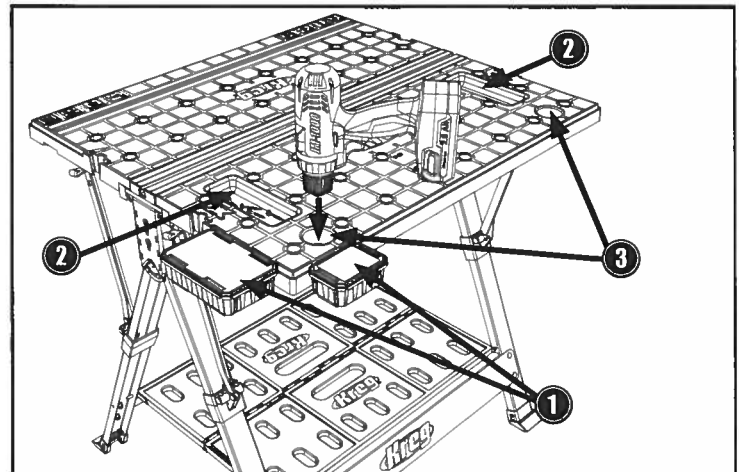
Bringen Sie die Stützwinkel in den mittleren Öffnungen an.

## ANBRINGEN EINER KREG BOHRLEHRE®



Richten Sie die Bohrlehre an den entsprechenden Löchern für K4 oder K5 aus.

## ZUSÄTZLICHE FUNKTIONEN



(1) Hängen Sie die Schraubenbehälter von Kreg an die Kanten der Tischflächen.

**!** **VORSICHT** Hängen Sie nur Kreg Schraubenbehälter für 100 und 250 Schrauben auf

(2) Bewahren Sie Beschläge in den vertieften Ablagen auf.

(3) Mit einem Bohrmaschinenholster haben Sie stets einen Bohrer/Schrauber griffbereit.

# Consignes de sécurité générales

**⚠ AVERTISSEMENT** Lorsque vous utilisez des outils électriques avec ce produit, suivez toujours les consignes du fabricant de l'outil en plus des consignes de sécurité ci-dessous afin de réduire le risque d'incendie, de choc électrique et de dommage corporel. Assurez-vous de lire toutes les consignes avant de procéder à l'utilisation du produit. **CONSERVEZ CES CONSIGNES DE SÉCURITÉ.**

## 1) Mesures de sécurité dans l'aire de travail

- L'aire de travail doit être propre et bien éclairée.** Les aires de travail encombrées ou mal éclairées augmentent le risque d'accidents.
- N'utilisez pas d'outils électriques dans un environnement dangereux.** N'utilisez pas d'outils électriques dans un endroit humide ou mouillé, ne les exposez pas non plus à la pluie.
- N'utilisez pas d'outils électriques dans des environnements sujets aux risques d'explosion, par exemple en présence de liquides, de gaz ou de poussières inflammables.** Les outils électriques produisent des étincelles pouvant enflammer les vapeurs ou les poussières.
- Gardez les enfants et les autres personnes à l'écart lorsque vous utilisez un outil électrique.** La moindre distraction peut vous faire perdre la maîtrise de l'outil.
- Empêchez les enfants d'accéder à votre atelier.** Utilisez des cadenas et des interrupteurs généraux, ou retirez les clés du commutateur d'allumage.

## 2) Consignes de sécurité relatives à l'électricité

- Branchez les outils électriques sur une prise mise à la terre. Un outil muni d'une fiche à trois broches ne doit être branché que sur une prise de courant tripolaire mise à la terre.** Si vous ne disposez pas d'une telle prise, demandez à un électricien qualifié d'en installer une. Ne retirez jamais la troisième broche et ne tentez en aucune façon de modifier la fiche fournie.
- N'exposez pas les outils électriques à la pluie ou à tout autre environnement humide.** Les risques de choc électrique sont plus élevés si l'eau s'infiltré dans un outil électrique.
- N'utilisez pas le cordon d'alimentation de façon abusive. Ne transportez jamais un outil électrique en le tenant par son cordon et ne tirez jamais sur le cordon pour le débrancher ou pour toute autre raison. Tenez le cordon d'alimentation éloigné des sources de chaleur, de l'huile, des objets tranchants et des pièces mobiles.** Les risques de choc électrique sont plus élevés si le cordon d'alimentation est endommagé ou emmêlé.
- Utilisez une rallonge appropriée et assurez-vous qu'elle est en bon état.** Utilisez une rallonge au poids kilométrique suffisamment élevé pour supporter le courant consommé par l'outil. Une rallonge de section insuffisante entraîne une baisse de la tension secteur, qui à son tour provoque une perte de puissance et une surchauffe. Le tableau 1 montre la section appropriée selon la longueur de la rallonge et l'intensité nominale inscrite sur la plaque signalétique de l'outil. En cas de doute, utilisez une rallonge de poids kilométrique supérieur. Si l'unité de mesure est l'AWG, plus le numéro de section est bas, plus le poids du câble est élevé.
- Lorsque vous utilisez des outils électriques, évitez de toucher à des surfaces mises à la terre, par exemple à des tuyaux, radiateurs, cuisinières ou encore à des réfrigérateurs.** Le contact de votre corps avec une surface mise à la terre augmente les risques de choc électrique.

## 3) Sécurité personnelle

- Soyez vigilant, prêtez attention à ce que vous faites et faites preuve de discernement lorsque vous utilisez un outil électrique. N'utilisez pas un outil électrique lorsque vous êtes fatigué ou sous l'effet de drogues, d'alcool ou de médicaments.** Un moment d'inattention tandis que vous utilisez des outils électriques peut occasionner des dommages corporels graves.
- Portez toujours des lunettes de sécurité.** Les lunettes ordinaires ne sont pas des lunettes de sécurité. En plus d'être pourvues de coques latérales, les lunettes de sécurité sont munies d'une monture et de verres spéciaux.
- Utilisez les équipements de protection individuelle.** Portez un masque facial ou un masque anti-poussières quand la coupe produit beaucoup de poussière. Le port d'équipements de protection individuelle, comme un masque anti-poussières, des chaussures de sécurité antidérapantes, un casque et des protections auditives, lorsque les conditions l'exigent, réduit les risques de dommages corporels.
- Évitez les mises en marche accidentelles de l'outil. Assurez-vous que l'interrupteur de l'outil est à la position d'arrêt avant de le brancher.** Le fait de transporter un outil électrique en gardant le doigt sur l'interrupteur ou de le brancher tandis que son interrupteur est en position de marche, augmente les risques d'accident.
- Retirez toutes les clés de réglage de l'outil électrique avant de le mettre en marche.** Une clé de réglage oubliée sur une pièce rotative de l'outil électrique peut occasionner des dommages corporels.
- Ne tentez pas d'atteindre une cible éloignée. Gardez une posture adéquate et un bon équilibre en tout temps.** Cela vous permet de mieux maîtriser l'outil électrique lorsque surviennent des situations inattendues.
- Assurez-vous que la pièce à travailler est bien fixée.** Utilisez des serre-joints ou un étai pour fixer la pièce sur laquelle vous travaillez, au besoin. Cette technique est plus sûre que de vous servir de vos mains. Ainsi vous gardez les deux mains libres pour faire fonctionner l'outil.
- Ne vous tenez jamais debout sur l'outil.** Des dommages corporels graves peuvent survenir s'il se renverse ou si l'outil tranchant est accidentellement mis en marche.
- Portez des vêtements adaptés. Ne portez pas de vêtements amples ni de bijoux. Maintenez vos cheveux, vos vêtements et vos gants éloignés des pièces mobiles.** Les vêtements amples, les bijoux et les cheveux longs risquent de se prendre dans les pièces mobiles. Roulez vos manches jusqu'aux coudes. Portez une protection qui couvre les cheveux longs, au besoin.

- Si un dispositif permet de raccorder un dépoussiéreur, assurez-vous que celui-ci est branché et utilisé correctement.** L'utilisation de ces dispositifs contribue à réduire les dangers liés à la poussière.

## 4) Utilisation et entretien d'un outil électrique

- Gardez les protections en place et en état de fonctionnement.**
- Ne forcez pas l'outil électrique. Utilisez l'outil électrique adapté à l'utilisation que vous voulez en faire.** Un outil approprié exécutera mieux le travail et de façon moins dangereuse s'il fonctionne dans les limites prévues.
- Utilisez le bon outil.** Ne tentez pas d'utiliser un outil ou l'un de ses accessoires pour effectuer un travail pour lequel il n'a pas été conçu.
- N'utilisez pas l'outil électrique si l'interrupteur ne fonctionne pas.** Tout outil qui ne peut pas être contrôlé par l'interrupteur est dangereux et doit être réparé.
- Débranchez la fiche de la prise ou retirez le bloc-piles/la source d'alimentation de l'outil électrique avant d'effectuer tout réglage, de changer d'accessoire ou de le ranger.** Ces mesures de sécurité préventives réduisent les risques de mise en marche accidentelle de l'outil électrique.
- Ne laissez jamais l'outil en marche sans surveillance. Coupez l'alimentation électrique.** Ne vous éloignez pas de l'outil tant qu'il ne s'est pas complètement arrêté.
- Rangez les outils électriques inutilisés hors de la portée des enfants et ne laissez pas les personnes n'ayant pas pris connaissance des consignes d'utilisation et de sécurité se servir de l'outil.** Les outils électriques sont dangereux s'ils se retrouvent entre les mains d'utilisateurs non avertis.
- Entretenez les outils électriques. Vérifiez les pièces mobiles pour vous assurer qu'elles ne sont pas désalignées, enrayées, brisées ou dans un état qui pourrait nuire au fonctionnement de l'outil électrique. Si elles sont endommagées, faites-les réparer avant d'utiliser l'outil électrique.** De nombreux accidents sont provoqués par des outils électriques mal entretenus.
- Gardez vos outils tranchants affûtés et propres.** Des outils tranchants bien entretenus dont les lames sont affûtées risquent moins de se bloquer et sont plus faciles à maîtriser.
- Utilisez la vitesse recommandée pour l'outil de coupe ou l'accessoire et pour la pièce à travailler.**
- N'utilisez que des pièces et des accessoires recommandés par le fabricant.** Consultez la liste des accessoires recommandés dans le guide d'utilisation. L'utilisation d'accessoires inappropriés peut causer des dommages corporels.
- Utilisez l'outil électrique, les accessoires et les embouts conformément à ces consignes et aux fins pour lesquelles ils ont été conçus, en tenant compte des conditions de travail et des tâches à effectuer.** L'utilisation de l'outil électrique à des fins autres que celles pour lesquelles il a été conçu risque d'entraîner une situation dangereuse.

## 5) Réparation

- Demandez à un technicien qualifié qui n'utilise que des pièces de rechange identiques aux pièces d'origine d'effectuer l'entretien de votre outil électrique.** Vous vous assurez ainsi de respecter les consignes de sécurité de l'outil électrique.

## 6) Consignes de sécurité propres à l'établi multifonction pliant Kreg

- Pour déployer les plateaux, saisissez-les par les coins extérieurs à l'aide de vos deux mains et tirez vers le haut.** Assurez-vous que les entretoises sont complètement verrouillées.
- Pour replier les plateaux, saisissez les dispositifs de déverrouillage des entretoises à l'aide de vos deux mains. Tirez ensuite les loquets vers le haut et appuyez sur le plateau.** Gardez vos mains à l'écart des points de pincement potentiels.
- Travaillez toujours sur une surface sèche et nivelée.**
- Lorsque vous utilisez des outils électriques avec l'établi multifonction pliant, respectez les consignes de sécurité du fabricant de l'outil.**
- Afin d'empêcher les outils d'établi de basculer, placez-les toujours au centre, sur le rail Clamp Trak™.**
- Lorsque vous utilisez deux établis multifonctions pliants en mode-quadrillage, nous vous recommandons d'utiliser une à deux traverses de 38 x 89 mm (2 x 4 po) pour plus de stabilité.**
- L'établi multifonction pliant n'est pas conçu pour une utilisation extérieure dans des conditions humides.**
- Rangez toujours l'établi multifonction pliant à l'intérieur ou dans un endroit à l'abri des intempéries.**
- Ne vous asseyez pas et ne vous tenez pas debout sur l'établi multifonction pliant et ne l'utilisez pas comme un échafaudage ou pour tout autre usage non indiqué dans le présent manuel.**
- Ne marchez pas sur la tablette.**
- N'accrochez pas d'articles sur l'établi multifonction pliant à moins qu'il en soit stipulé autrement dans ce guide d'utilisation**

# Consignes de sécurité générales

## Consignes liées à l'utilisation de rallonges

Les rallonges ne doivent servir qu'à un usage temporaire. L'utilisation de rallonges ne doit pas supplanter la nécessité d'installer, au besoin, des prises et un câblage adapté.

### Dans l'atelier et sur les chantiers de construction :

1. Utilisez des rallonges électriques munies d'un conducteur de mise à la terre en tout temps.
2. Protégez les rallonges contre les dommages. Ne les faites pas passer par les portes ou les fenêtres, car celles-ci pourraient se refermer et endommager les rallonges.
3. Choisissez des rallonges d'une section minimale de 16 AWG (1,29 mm) qui conviennent aux outils que vous utilisez.
4. Inspectez périodiquement les rallonges afin de vous assurer que les fils sont bien isolés et que leur conductivité n'est pas compromise.
5. Ne faites pas passer de rallonges dans l'eau et ne les raccordez pas dans des endroits où de l'eau pourrait s'accumuler.

TABLEAU 1

Plaque signalétique ampères à 120 V	Longueur de la rallonge					
	25'	50'	75'	100'	150'	200'
0-5	16	16	16	14	12	12
5.1-8	16	16	14	12	10	NR
8.1-12	14	14	12	10	NR	NR
12.1-16	12	12	NR	NR	NR	NR

NR – Non Recommandé



### RISQUE DE CHOC ÉLECTRIQUE

Les pièces métalliques de ce produit sont des conducteurs électriques. Évitez toute situation qui pourrait causer des contacts électriques. Les outils électriques mis à la terre de façon inappropriée peuvent entraîner des risques de choc électrique, qui peuvent occasionner des dommages corporels graves, voire mortels, surtout si ces outils sont utilisés dans un environnement humide, à proximité de conduites d'eau et de surfaces mises à la terre, ou encore à l'extérieur.



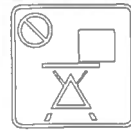
### AVERTISSEMENT

La poussière causée par le ponçage, le sciage, le polissage, le perçage et d'autres activités de construction peut contenir des produits chimiques reconnus par l'État de la Californie comme pouvant causer des cancers et des anomalies congénitales ou d'autres troubles des fonctions reproductrices. Voici quelques exemples de ces produits chimiques :

- a) Le plomb provenant de peintures à base de plomb ;
- b) La silice cristalline provenant des briques, du ciment ou d'autres matériaux de maçonnerie ;
- c) L'arsenic et le chrome provenant du bois d'œuvre traité avec un produit chimique.

Les risques liés à l'exposition à ces produits chimiques dépendent de la fréquence d'exécution de ce type de travaux. Afin de limiter votre exposition à ces produits, travaillez dans un endroit bien ventilé et portez les équipements de protection individuelle approuvés tel qu'un masque anti-poussières conçu spécialement pour filtrer les particules microscopiques.

## Description des symboles de sécurité de l'établi multifonction pliant



Ne posez pas de charges déséquilibrées.



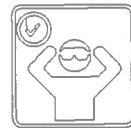
Ne vous tenez pas debout sur l'établi multifonction pliant.



Ne vous asseyez pas sur l'établi multifonction pliant.



Ne marchez pas sur la tablette.



Portez toujours des lunettes de sécurité.



Charge maximale lorsque les deux plateaux sont déployés : 158 kg [350 lb] répartis de façon uniforme; 45 kg (100 lb) répartis de façon uniforme sur l'un ou l'autre des plateaux



Charge maximale, deux établis multifonctions pliants, plateaux non déployés : 997 kg (2 200 lb).



Charge maximale de la tablette : 11 kg (25 lb).

## Garantie limitée de l'établi multifonction pliant Kreg

Kreg Tool Company garantit à l'acheteur initial uniquement, que l'établi multifonction pliant Kreg ne présentera aucun défaut de matériaux ou de fabrication pendant une période de trois (3) ans à compter de la date d'achat. Durant la durée de validité de la garantie, Kreg Tool Company choisira de réparer ou de remplacer l'outil ou toute pièce jugée défectueuse. La présente garantie s'applique uniquement aux produits utilisés de manière adéquate et conformément aux procédures d'entretien et de sécurité indiquées dans les catalogues, les guides et tout autre manuel d'instructions fournis par Kreg Tool Company.

La présente garantie est valide seulement si l'acheteur initial a dûment et correctement complété l'enregistrement du produit en ligne ([www.kregtool.com](http://www.kregtool.com)) ou en contactant le service client de la Kreg Tool Company au +1 800 447 8638.

Cette garantie est nulle et non avenue si (1) le produit a fait l'objet d'un usage inapproprié ou abusif, d'entretien ou d'entreposage inadéquat ; (2) le produit a été endommagé à la suite d'un accident, d'une négligence, de toute autre circonstance indépendante de la volonté de Kreg Tool Company ; (3) le produit a été modifié, démonté, manipulé, transformé ou réparé ailleurs qu'à l'usine de Kreg Tool Company sans l'autorisation de celle-ci ; et (4) pour tout sous-acquéreur. Cette garantie ne couvre pas l'usure normale, la corrosion, l'abrasion ni les dommages issus de causes naturelles ou de cas de force majeure.

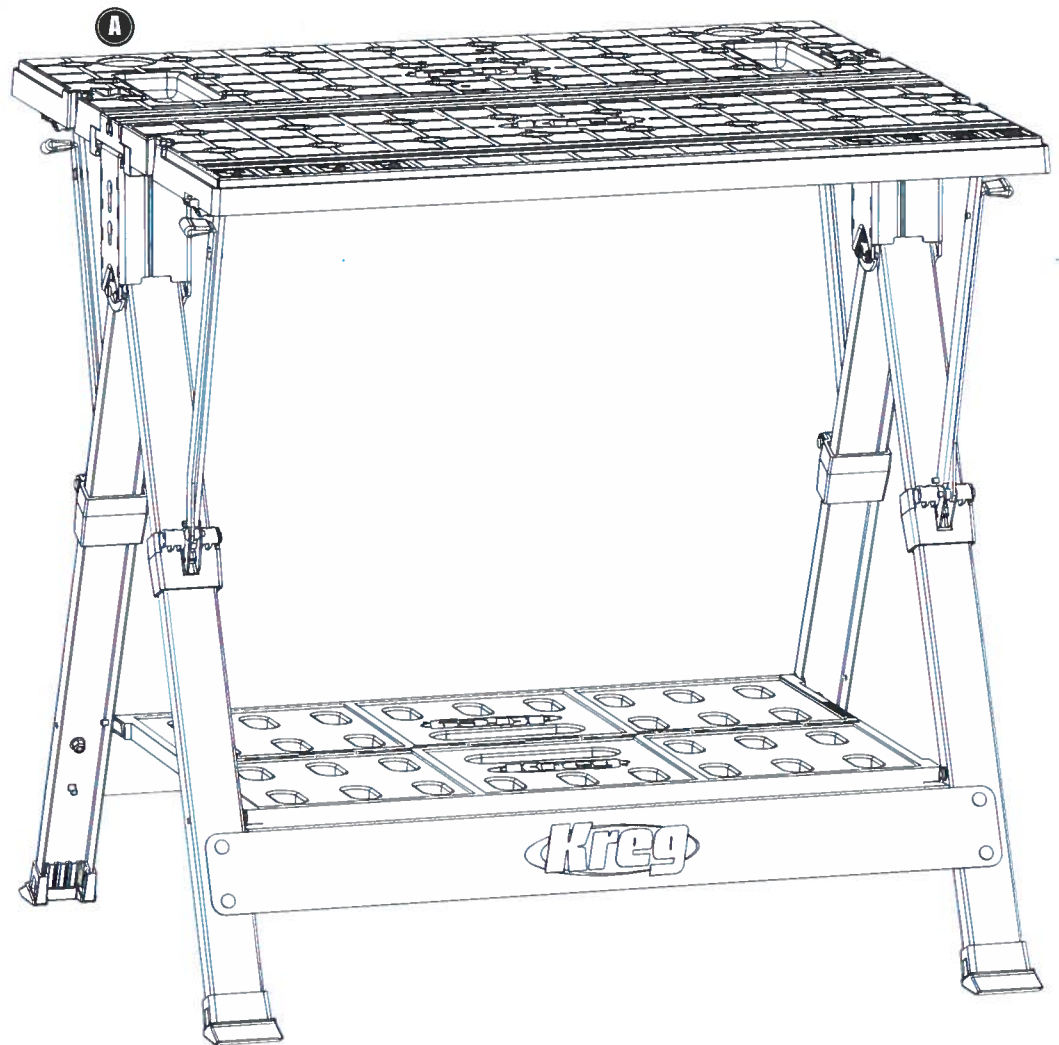
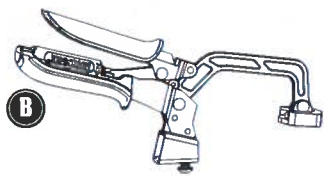
Les articles précédents constituent l'unique garantie de Kreg Tool Company. Toutes les autres garanties prévues par la loi, y compris toute garantie de qualité marchande ou de conformité à un usage particulier, sont limitées, par la présente, à la durée de cette garantie. Kreg Tool Company n'est pas responsable des pertes, des dommages ni des dépenses découlant, directement ou indirectement, de l'utilisation de ce produit ou de toute autre cause, ni des dommages consécutifs, (y compris, sans toutefois s'y limiter, la perte de temps, les désagréments et la perte de production). La présente garantie ne peut être modifiée et aucune autre garantie, qu'elle soit expresse ou implicite, ne peut être offerte par Kreg Tool Company ou en son nom.

Pour information, les renseignements suivants peuvent vous être utiles si vous devez effectuer une réclamation au titre de la garantie. Pour compléter votre réclamation, veuillez attacher une copie datée de votre preuve d'achat.

Date de la preuve d'achat \_\_\_/\_\_\_/\_\_\_

Achat effectué chez : \_\_\_\_\_

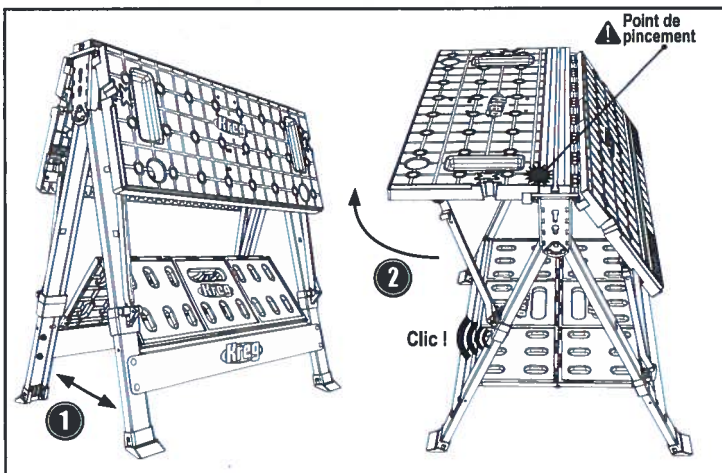
## PIÈCES



### Articles inclus :

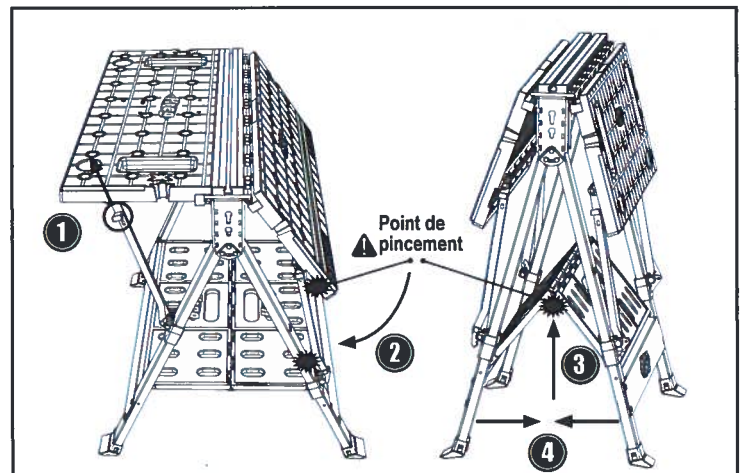
- (A) Établi multifonction pliant
- (B) Serre-joints d'établi de 7,62 cm (3 po) avec Automaxx®
- (C) Équerres de fixation (2)
- (D) Valets d'établi Kreg® (4)
- (E) Douilles (2) et vis (2) Trak
- (F) Cales d'assemblage (2)

## CONFIGURATION



- (1) Écartez les pieds.
- (2) Relevez les plateaux. Assurez-vous que toutes les entretoises sont bien verrouillées.

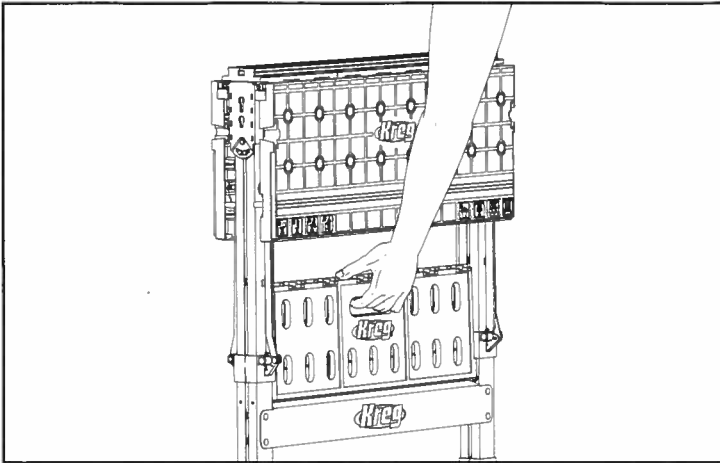
## RANGEMENT



- (1) Tirer les loquets vers le haut pour déverrouiller les entretoises.
- (2) Abaissez les plateaux. (3) Relevez la tablette. (4) Repliez les pieds.

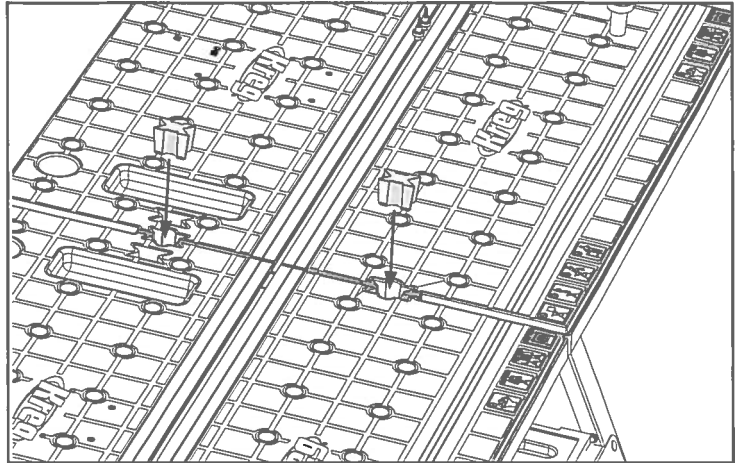


## TRANSPORT



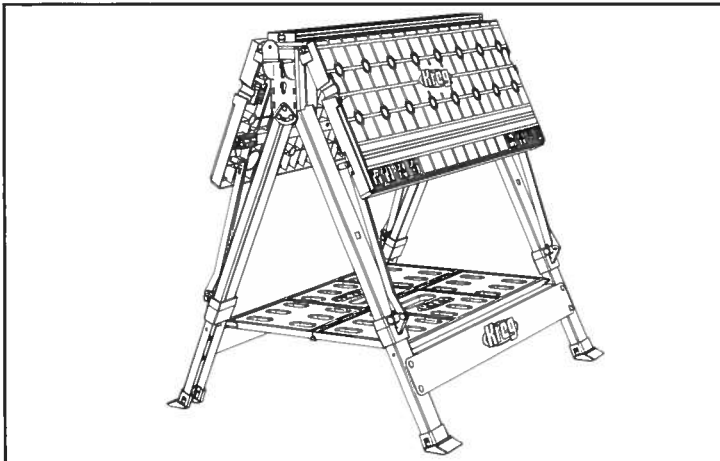
Pour empêcher le produit de se déplier accidentellement, transportez-le toujours par les poignées découpées de la tablette.

## ASSEMBLAGE



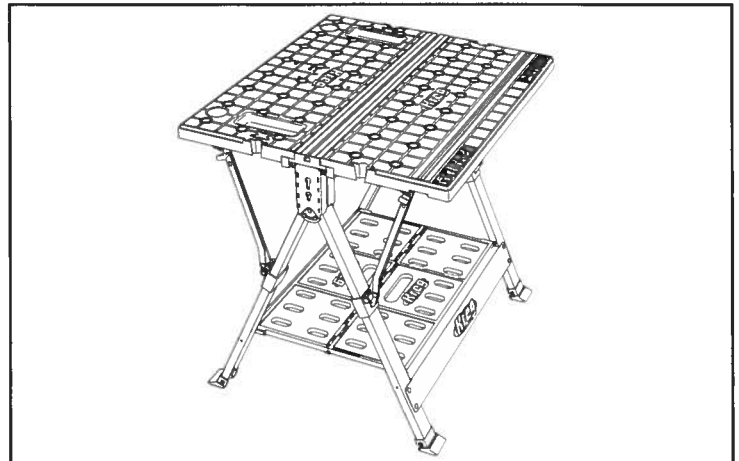
Les cales d'assemblage permettent de fixer ensemble deux établis multifonctions pliants.

## CHEVALET DE SCIAGE



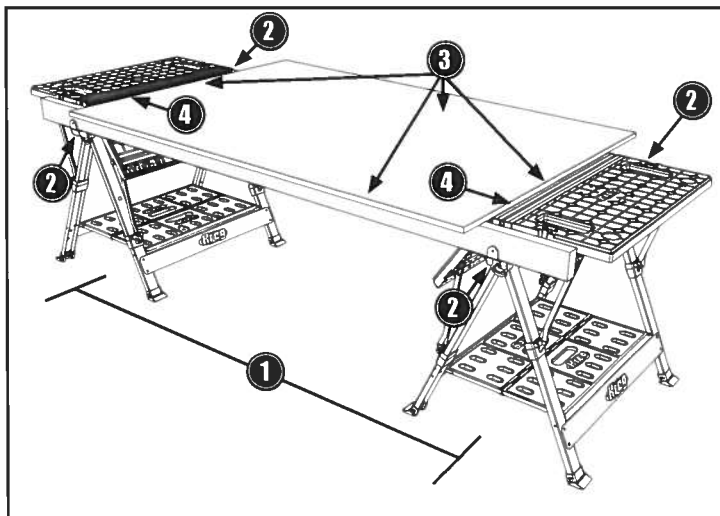
Pieds écartés, plateaux abaissés

## ÉTABLI



Pieds écartés, plateaux relevés

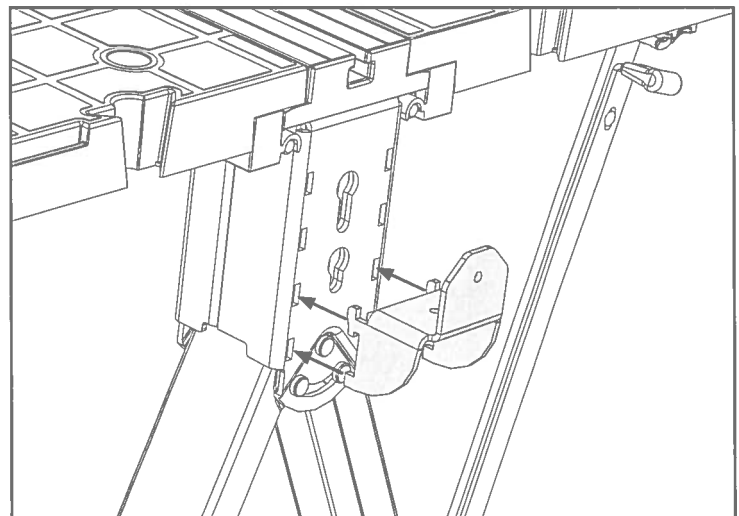
## CONFIGURATION AVEC RALLONGE



- (1) Deux établis multifonctions pliants placés à une distance maximale de 2,13 m (7 pieds) l'un de l'autre.
- (2) Équerres de fixation en position inférieure, une pièce de 38 x 89 mm (2 x 4 po) pour chaque paire d'équerres de fixation.
- (3) Le contreplaqué de 19 mm (3/4 po) s'appuie sur les pièces de 38 x 89 mm (2 x 4 po) et sur les bords des deux plateaux pliés.
- (4) Les bords du contreplaqué doivent s'appuyer contre les deux rails Clamp Trak™.
- (5) Répartissez la charge de façon uniforme.

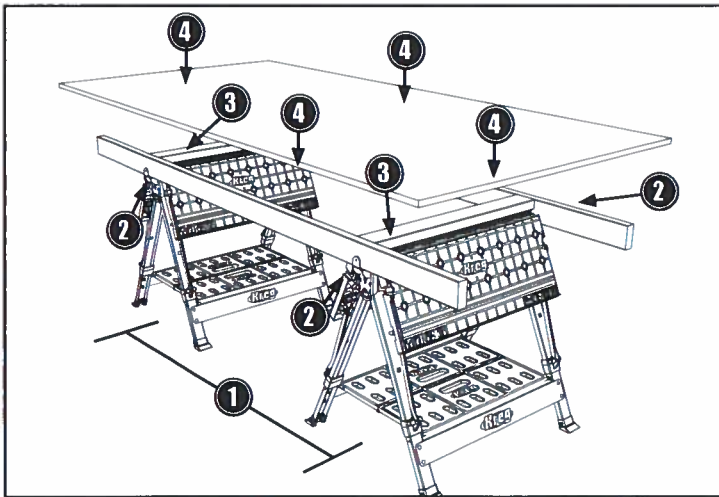
**AVERTISSEMENT** Charge maximale de 998 kg (2200 lb)

## POSITION DES ÉQUERRES DE FIXATION : TABLE DÉPLOYÉE



Insérez les équerres de fixation dans les fentes inférieures.

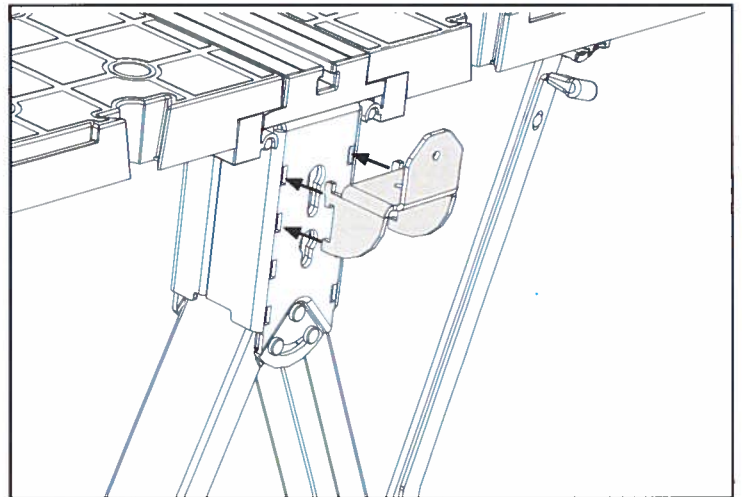
## CONFIGURATION DE COUPE



- (1) Deux établis multifonctions pliants placés à une distance maximale de 2,13 m (7 pieds) l'un de l'autre.
- (2) Équerres de fixation en position supérieure, une pièce de 38 x 89 mm (2 x 4 po) pour chaque paire d'équerres de fixation.
- (3) Martyr de 38 x 89 mm (2 x 4 po) pour chaque établi multifonction pliant. (Reportez-vous à la section INSTALLATION D'UN MARTYR DE 38 x 89 MM (2 X 4 PO).)
- (4) Le contreplaqué de 19 mm (3/4 po) s'appuie sur les pièces de 38 x 89 mm (2 x 4 po) et sur le martyr de 38 x 89 mm (2 x 4 po).
- (5) Répartissez la charge de façon uniforme.

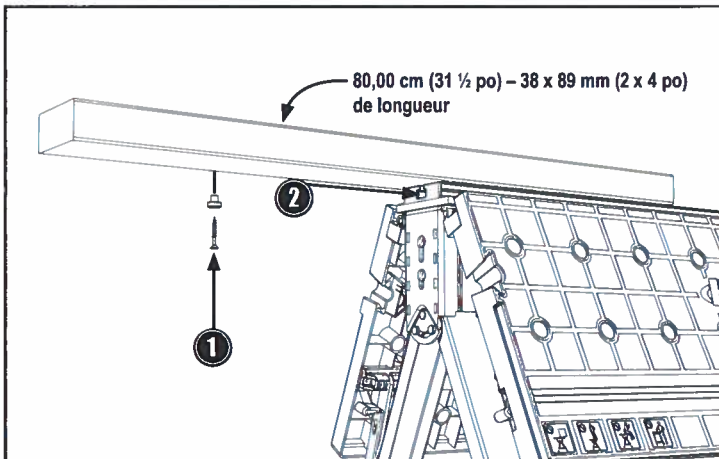
**⚠ AVERTISSEMENT** Charge maximale de 998 kg (2 200 lb)

## POSITION DES ÉQUERRES DE FIXATION : CONFIGURATION DE COUPE



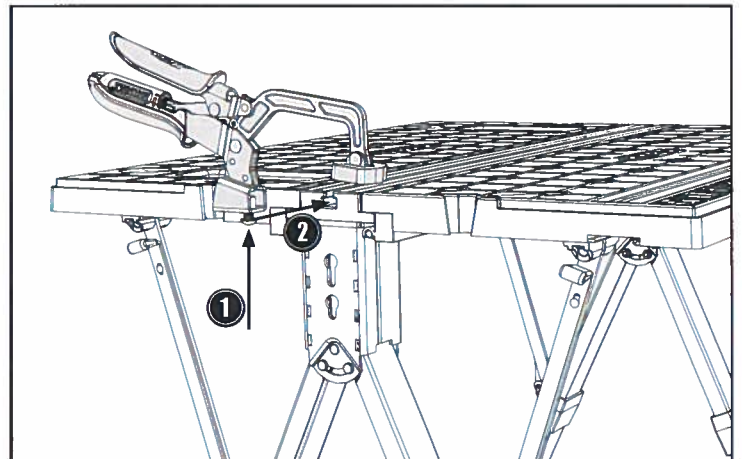
Insérez les équerres de fixation dans les fentes supérieures.

## INSTALLATION D'UN MARTYR DE 38 x 89 MM (2 X 4 PO)



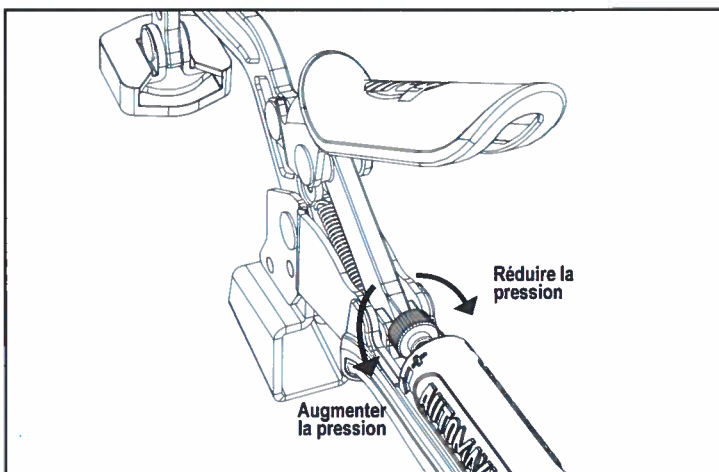
- (1) Fixez les douilles Trak sur la pièce de 38 x 89 mm (2 x 4 po) et (2) faites-les glisser dans les rainures en T.

## INSTALLATION DU SERRE-JOINT D'ÉTABLI

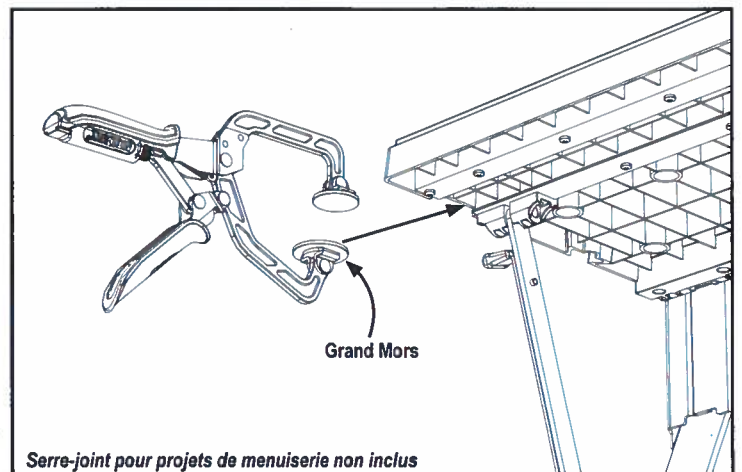


- (1) Ajustez la vis d'ancrage du serre-joint et (2) faites-la glisser dans la rainure en T.

## RÉGLAGE DE LA PRESSION DU SERRE-JOINT D'ÉTABLI



## UTILISATION D'UN SERRE-JOINT POUR DES PROJETS DE MENUISERIE KREG

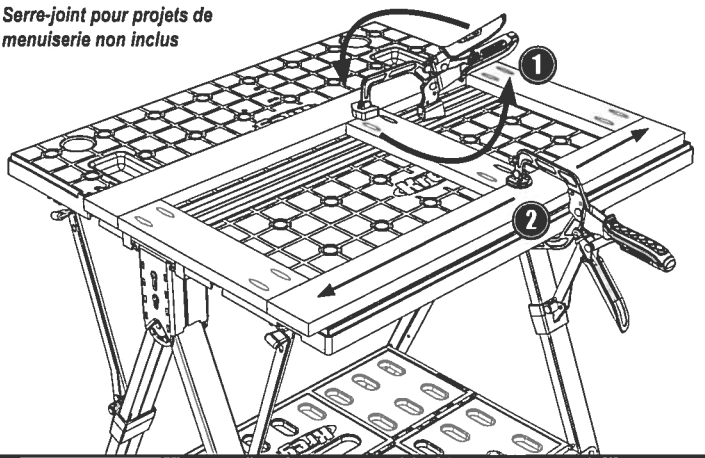


Serre-joint pour projets de menuiserie non inclus

Faites glisser le grand mors dans la rainure en T.

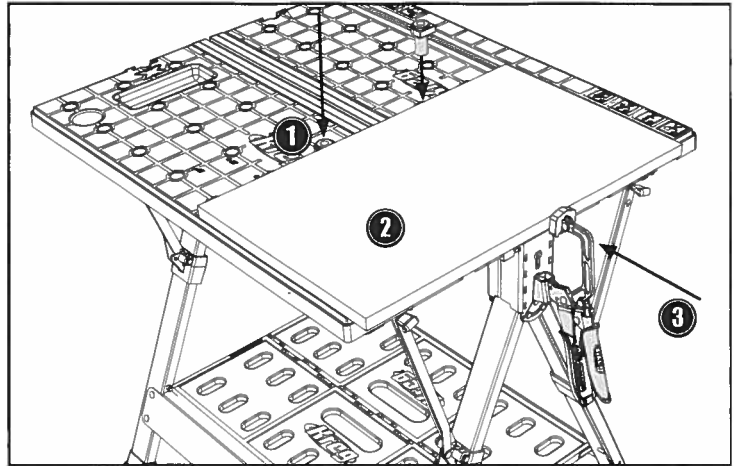
## SERRAGE DU PLATEAU

Serre-joint pour projets de menuiserie non inclus



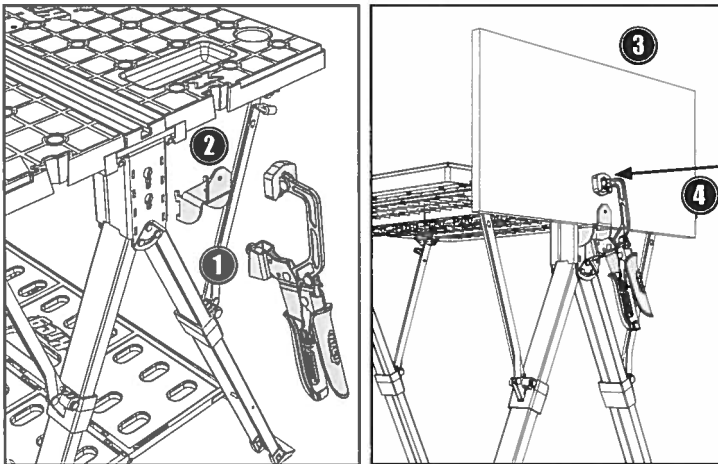
(1) Le serre-joint d'établi pivote sur 360°. (2) Faites glisser un serre-joint pour projets de menuiserie (accessoire en option) en tout endroit, le long du bord.

## SERRAGE À L'AIDE DE VALETS D'ÉTABLI



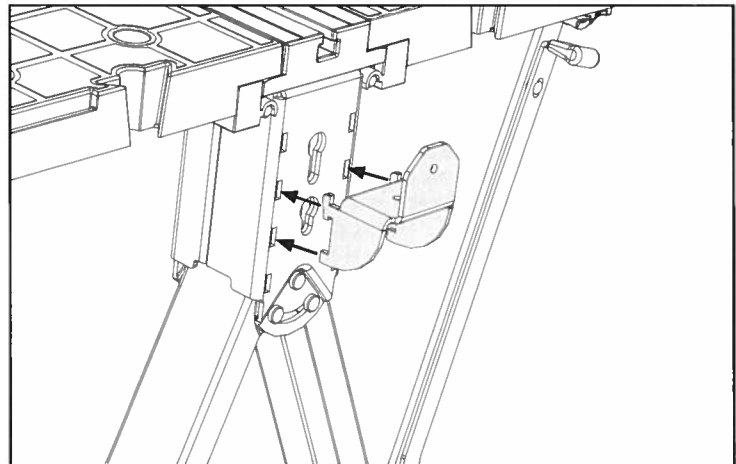
(1) Insérez les valets d'établi dans les trous, puis (2) positionnez les pièces à travailler et (3) le serre-joint.

## SYSTÈME DE SERRAGE



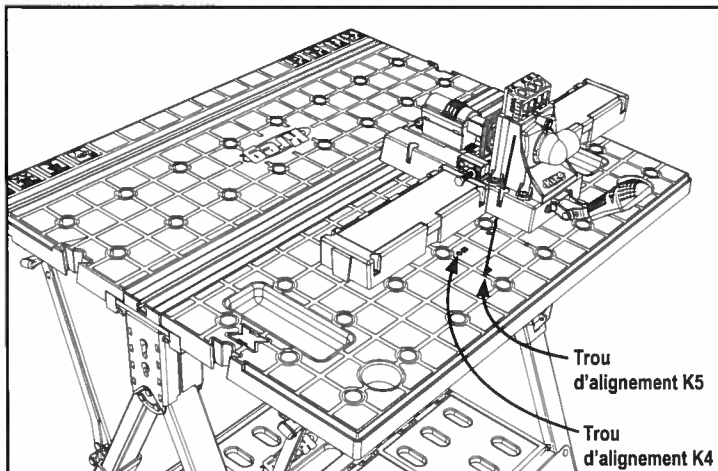
(1) Insérez le serre-joint d'établi dans l'encoche en trou de serrure inférieure. (2) Insérez l'équerre de fixation dans les fentes du milieu. (3) Appuyez la pièce à travailler sur l'équerre de fixation et le (4) serre-joint.

## POSITION DES ÉQUERRES DE FIXATION : SYSTÈME DE SERRAGE



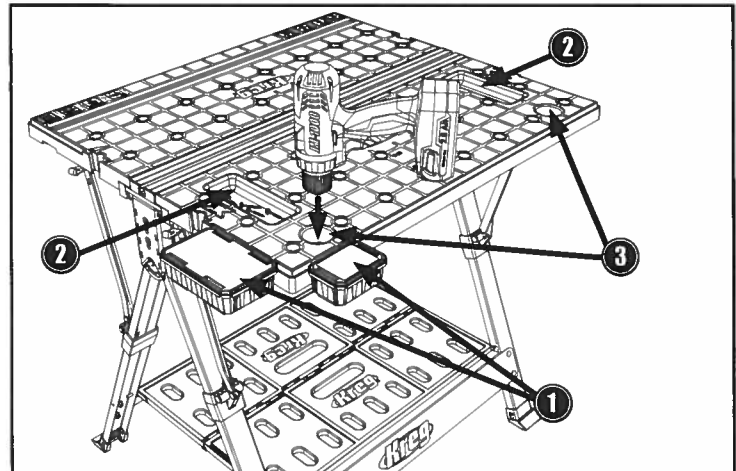
insérez l'équerre de fixation dans les fentes du milieu.

## INSTALLATION D'UN GABARIT DE PERÇAGE KREG JIG®



Alignez le gabarit sur les trous correspondants K4 ou K5.

## CARACTÉRISTIQUES SUPPLÉMENTAIRES



(1) Placez les casiers de rangement pour vis Kreg sur les bords des plateaux.

**⚠ ATTENTION** Ne placez que des casiers de rangements Kreg pour 100 et 250 vis.

(2) Rangez la quincaillerie dans les casiers encastrés.

(3) Les étuis pour perceuse permettent de garder une perceuse-visseuse à proximité.

# Instrucciones generales de seguridad

**!** **ADVERTENCIA** Cuando use herramientas eléctricas con este producto, siga siempre las instrucciones del fabricante, además de adoptar las medidas de seguridad siguientes para reducir el riesgo de incendio, descarga eléctrica y lesiones. Lea todas estas instrucciones antes de proceder a utilizar este producto. **GUARDE ESTAS INSTRUCCIONES.**

## 1) Seguridad de la zona de trabajo

- Mantenga la zona de trabajo limpia y bien iluminada. Las zonas desordenadas u oscuras propenden a los accidentes.
- No use herramientas eléctricas en entornos peligrosos. No use herramientas eléctricas en lugares húmedos o mojados, ni las exponga a la lluvia.
- No trabaje con herramientas eléctricas en atmósferas explosivas, por ejemplo en presencia de líquidos, gases o polvos inflamables. Las herramientas eléctricas provocan chispas que pueden encender humos o polvo.
- Mantenga a los niños y los espectadores apartados cuando esté utilizando una herramienta eléctrica. Las distracciones pueden hacerle perder el control.
- Equipe su taller de forma que los niños no puedan hacerse daño. Use candados, interruptores generales o extraiga llaves de arranque.

## 2) Seguridad eléctrica

- Ponga las herramientas eléctricas a tierra. Si la herramienta está equipada con un enchufe de tres clavijas, sólo deberá conectarse a una toma eléctrica de tres orificios. Si no hay disponible un enchufe adecuado, haga que un electricista cualificado instale uno. Nunca desmonte la tercera clavija ni modifique el enchufe suministrado en modo alguno.
- No exponga las herramientas eléctricas a la lluvia ni a condiciones de humedad. El agua que penetra en una herramienta eléctrica aumenta el riesgo de descarga eléctrica.
- No abuse del cable. Nunca use el cable para transportar, tirar o desconectar la herramienta eléctrica. Mantenga el cable alejado del calor, el aceite, los bordes afilados y las piezas móviles. Los cables dañados o enredados aumentan el riesgo de descarga eléctrica.
- Use un cable alargador adecuado y asegúrese de que se encuentre en buenas condiciones. Cuando use un cable alargador, asegúrese de usar uno con la sección suficiente para soportar la corriente que consume su herramienta eléctrica. Un cable de capacidad insuficiente provoca una caída en la tensión de la línea que se traduce en pérdidas de potencia y sobrecalentamientos. La tabla 1 muestra la sección de cable correcta en función de la longitud del cable y el amperaje nominal de la herramienta. En caso de duda, utilice la siguiente sección superior. Cuanto menor es el número de calibre, mayor es la sección del cable.
- Cuando utilice herramientas eléctricas, evite el contacto con superficies puestas a tierra, por ejemplo tuberías, radiadores, electrodomésticos de cocina y neveras. El contacto con una superficie puesta a tierra aumenta el riesgo de descarga eléctrica.

## 3) Seguridad personal

- Manténgase alerta, vigile lo que esté haciendo y aplique el sentido común cuando utilice una herramienta eléctrica. No utilice herramientas eléctricas si está cansado o si está bajo la influencia de drogas, alcohol o medicación. Un momento de descuido mientras utiliza una herramienta eléctrica puede tener como resultado lesiones graves.
- Use siempre gafas de seguridad. Las gafas corrientes no son gafas de seguridad. Estas tienen lentes, monturas y anteojeras especialmente diseñadas.
- Use equipo de seguridad personal. Use una mascarilla o una mascarilla de polvo cuando la operación de corte genera mucho polvo. El equipo de seguridad, por ejemplo mascarillas antipolvo, calzado de seguridad antideslizante, cascos o tapones para los oídos, usado para crear las condiciones adecuadas, reduce las lesiones.
- Evite los arranques accidentales. Asegúrese de que el interruptor esté en posición de apagado antes de enchufar. Transportar herramientas eléctricas con el dedo en el interruptor o enchufar herramientas eléctricas con el interruptor encendido propende a los accidentes.
- Extraiga las llaves de ajuste antes de encender la herramienta eléctrica. Una llave acoplada a una pieza rotatoria de la herramienta eléctrica puede tener como resultado lesiones.
- No fuerce su posición. Mantenga los pies apoyados y el equilibrio en todo momento. Esto permite controlar la herramienta eléctrica en situaciones inesperadas.
- Asegure las piezas de trabajo. Use una mordaza o un tornillo de banco para sostenerlas cuando le resulte más práctico. Esto es más seguro que usar la mano y le deja las manos libres para manejar la herramienta.
- Nunca permanezca de pie sobre la máquina. Puede sufrir lesiones graves si la herramienta se vuelca o si la herramienta de corte se pone en marcha por descuido.
- Vístase adecuadamente. No lleve ropa ni joyería sueltas. Mantenga el pelo, la ropa y los guantes alejados de las piezas móviles. La ropa holgada, la joyería o el pelo largo pueden quedar atrapados en las piezas móviles. Remánguese hasta el codo. Póngase un gorro de protección si lleva el pelo largo.
- Si dispone de dispositivos para la conexión de equipos de extracción y recogida de polvo, asegúrese de que estén conectados y úselos adecuadamente. El uso de estos dispositivos puede reducir los riesgos relacionados con el polvo.

## 4) Uso y cuidado de la herramienta eléctrica

- Mantenga las cubiertas en su lugar y en condiciones adecuadas de trabajo.
  - No fuerce la herramienta eléctrica. Use la herramienta eléctrica adecuada a su aplicación. La herramienta eléctrica correcta le permitirá hacer el trabajo mejor y de forma más segura a la velocidad para la que fue diseñada.
  - Use la herramienta adecuada. No fuerce una herramienta o accesorio para hacer un trabajo para el que no fueron diseñados.
  - No use la herramienta eléctrica si el interruptor no permite apagarla y encenderla. Cualquier herramienta eléctrica que no se pueda controlar con el interruptor es peligrosa y debe repararse.
  - Desconecte el enchufe de la toma eléctrica y/o la batería de la herramienta eléctrica antes de efectuar cualquier ajuste, cambiar de accesorio o almacenar la herramienta eléctrica. Estas medidas de seguridad preventivas reducen el riesgo de encender la herramienta eléctrica accidentalmente.
  - Nunca deje desatendida una herramienta encendida. Apague la alimentación. No suelte la herramienta hasta que se haya parado completamente.
  - Guarde las herramientas que no utilice fuera del alcance de los niños y no permita que personas que desconozcan el funcionamiento de la herramienta eléctrica y estas instrucciones utilicen la herramienta eléctrica. Las herramientas eléctricas son peligrosas en manos de usuarios no cualificados.
  - Mantenga las herramientas eléctricas en buen estado. Compruebe si hay piezas móviles mal alineadas o encasquilladas, piezas rotas y cualquier otra condición que pueda afectar al funcionamiento de la herramienta eléctrica. Si está dañada, la herramienta eléctrica debe repararse antes de volver a usarse. Muchos accidentes son consecuencia de herramientas eléctricas mal mantenidas.
  - Mantenga las herramientas de corte afiladas y limpias. Una herramienta de corte mantenida correctamente con los bordes afilados tiene menos probabilidad de encasquillarse y es más fácil de controlar.
  - Use la velocidad recomendada para la herramienta de corte o el accesorio y el material de la pieza de trabajo.
  - Use solo piezas y accesorios recomendados por el fabricante. Consulte los accesorios recomendados en el manual del propietario. Usar accesorios inadecuados puede ser causa de lesiones.
  - Use la herramienta eléctrica, los accesorios y las brocas conforme a estas instrucciones y de la forma prevista para el tipo concreto de herramienta eléctrica teniendo en cuenta las condiciones de trabajo y la tarea que debe llevarse a cabo. Usar la herramienta eléctrica para tareas diferentes de las previstas puede resultar en una situación peligrosa.
- ## 5) Reparación
- Confíe la reparación de la herramienta eléctrica a personal cualificado y utilice únicamente piezas de recambio idénticas. Esto garantiza el mantenimiento de la seguridad de la herramienta eléctrica.

## 6) Instrucciones de seguridad específicas para el Mobile Project Center de Kreg

- Cuando despliegue los sobres de la mesa, use las dos manos para agarrar los sobres por las esquinas exteriores y tire hacia arriba. Asegúrese de que las abrazaderas hayan encajado firmemente.
- Cuando pliegue los sobres de la mesa, use las dos manos para agarrar las pestañas de desbloqueo de las abrazaderas. Tire hacia arriba de las pestañas y presione hacia abajo el sobre de la mesa. Mantenga las manos alejadas de posibles puntos de pellizco.
- Trabaje siempre en una superficie seca y plana.
- Cuando use herramientas eléctricas con el Mobile Project Center, siga las instrucciones de seguridad del fabricante de la herramienta.
- Para impedir vuelcos, monte siempre las herramientas de banco sobre el perfil guía Clamp Trak.
- Cuando use dos Mobile Project Center conjuntamente, se recomienda usar uno o dos perfiles de 5x10 para aportar más robustez al conjunto.
- El Mobile Project Center no está pensado para usarse al aire libre cuando hay humedad.
- Guarde siempre el Mobile Project Center en interiores o en una zona cubierta de las inclemencias del tiempo.
- No se siente ni permanezca de pie en el Mobile Project Center, ni use el Mobile Project Center como andamaje ni con ninguna finalidad no indicada en este manual.
- No se suba a la balda.
- No cuelgue objetos del Mobile Project Center, excepto como se indica en este manual.

# Instrucciones generales de seguridad

## Directrices para el uso de cables alargadores

Los cables alargadores sólo deben utilizarse temporalmente. No solventan la necesidad de instalar un enchufe y un cableado adecuado en caso de necesidad.

### En tiendas y obras de construcción:

1. Deben usarse cables alargadores con equipamiento de toma de tierra en todo momento.
2. Los cables alargadores deben protegerse de daños y no discurrir por vanos de puertas o ventanas donde dichas puertas o ventanas puedan cerrarse, ya que esto ocasionaría daños en el cable.
3. Los cables alargadores deben tener un calibre mínimo de 16 AWG y tener la categoría adecuada al equipamiento con el que se van a usar.
4. Los cables alargadores deben inspeccionarse periódicamente para garantizar que el aislamiento y la conductividad de los cables no se hayan visto comprometidos.
5. Los cables alargadores no deben tenderse a través de masas de agua y no debe permitirse que las conexiones se vean expuestas a ellas.

TABLA 1

Amperaje nominal @120 V	Longitud de cables alargadores					
	25'	50'	75'	100'	150'	200'
0 - 5	16	16	16	14	12	12
5,1 - 8	16	16	14	12	10	NR
8,1 - 12	14	14	12	10	NR	NR
12,1 - 16	12	12	NR	NR	NR	NR

NR: no recomendado



### RIESGO DE DESCARGA ELÉCTRICA

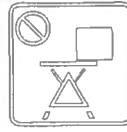
Las piezas metálicas de este producto conducen la electricidad. Evite cualquier condición que ocasione un contacto eléctrico. Las herramientas eléctricas incorrectamente puestas a tierra conllevan un riesgo de descarga eléctrica que puede acarrear lesiones graves o la muerte, especialmente cuando se usan en un lugar húmedo, en la cercanía de tuberías y otras superficies puestas a tierra o al aire libre.

**ADVERTENCIA** El polvo generado al lijar, aserrar, amolar, taladrar y otras actividades de construcción puede contener sustancias químicas que, según el estado de California, producen cáncer, defectos congénitos u otros problemas de fertilidad. Ejemplos de estas sustancias químicas son:

- a) Plomo de pinturas basadas en plomo
- b) Sílice cristalina de ladrillos, cemento y otros productos de albañilería
- c) Arsénico y cromo de maderas con tratamientos químicos

El riesgo derivado de la exposición a estas sustancias químicas depende de la frecuencia con la que se realice este tipo de trabajo. Para reducir la exposición, trabaje en un espacio bien ventilado con equipo de seguridad homologado, por ejemplo una mascarilla antipolvo especialmente diseñada para filtrar partículas microscópicas.

## Explicación de símbolos de seguridad presentes en el Mobile Project Center



No aplique cargas desequilibradas.



No se ponga de pie en el Mobile Project Center.



No se siente en el Mobile Project Center.



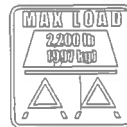
No se ponga de pie en la balda.



Use siempre protección ocular.



Carga máxima con los dos sobres de la mesa desplegados: 158 kg [350 lb] distribuidos uniformemente; 45 kg [100 lb] distribuidos uniformemente en cada sobre de la mesa



Carga máxima sobre dos Mobile Project Center con los sobres de la mesa replegados: 997 kg [2.200 lb]



Carga máxima sobre la balda: 11 kg [25 lb]

## Garantía limitada del Mobile Project Center de Kreg

Kreg Tool Company garantiza al comprador original únicamente que el Mobile Project Center de Kreg no presenta defectos de material ni de mano de obra durante un período de tres (3) años desde la fecha de compra. A discreción, Kreg Tool Company reparará o sustituirá cualquier producto (o pieza componente del mismo) que presente un defecto durante dicho período de garantía. Esta garantía se aplica únicamente a productos utilizados de acuerdo con todas las instrucciones recogidas en los catálogos, manuales y/o instrucciones suministrados por Kreg Tool Company.

Esta garantía es válida únicamente si el comprador original registra su producto en línea ([www.kregtool.com](http://www.kregtool.com)) o llamando al servicio de Atención al cliente de Kreg Tool Company (1-800-447-8638).

Esta garantía será inválida y nula si el producto ha sido sometido a (1) mal uso, abuso o almacenamiento inadecuado; (2) accidente, negligencia, daños u otras circunstancias más allá del control de Kreg Tool Company; (3) modificaciones, desmontaje, manipulación, alteraciones o reparaciones no autorizadas por Kreg Tool Company; y (4) para compradores no originales. Esta garantía no se aplica a casos de uso y desgaste normal, corrosión, abrasión o reparaciones necesarias debido a causas naturales o de fuerza mayor.

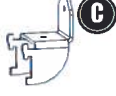
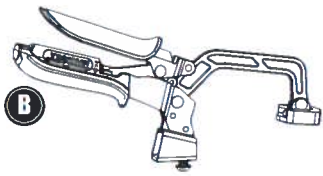
Esta es la única garantía reconocida por Kreg Tool Company. Cualquier otra garantía que pueda derivarse de la ley, incluida cualquier garantía de comercialización o aptitud para un propósito concreto se limitan a la duración de esta garantía. Kreg Tool Company no se hace responsable de pérdidas, perjuicios o gastos directos o indirectamente relacionados con el uso de sus productos ni con cualquier otra causa; asimismo, no se hace responsable de daños derivados (incluidos, aunque si están limitados a, pérdida de tiempo, inconveniencias o pérdidas de producción). La garantía aquí recogida no se puede modificar y ninguna otra garantía, expresa o implícita, será ofrecida ni por Kreg Tool Company ni en su nombre.

Conserve la siguiente información, le será de utilidad en caso de reclamación en garantía. Para completarla, adjunte una copia de su factura de compra.

Fecha de compra \_\_\_/\_\_\_/\_\_\_

Comprado en: \_\_\_\_\_

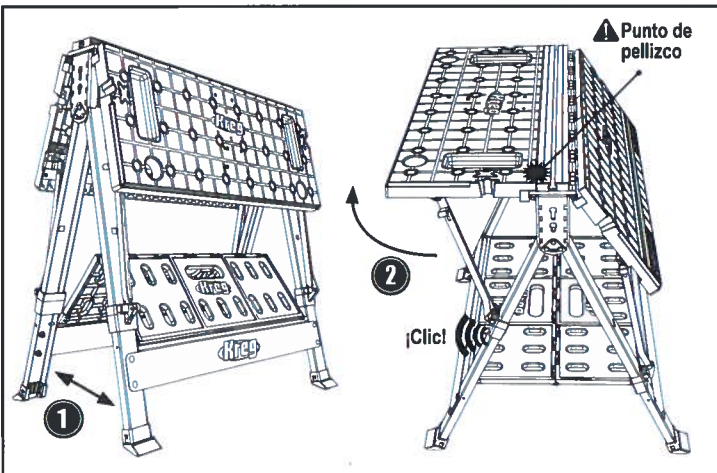
# PIEZAS



## Artículos incluidos:

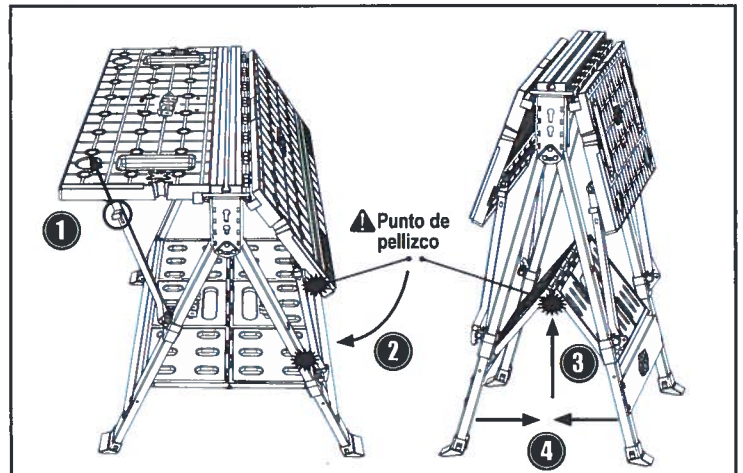
- (A) Mobile Project Center
- (B) Mordaza de 3 pulgadas con Autamaxx®
- (C) Pinzas de soporte (2)
- (D) Kreg® Topes móviles (4)
- (E) Anclajes (2) y tornillos (2) para el perfil guía
- (F) Llaves de unión (2)

## DESPLIEGUE



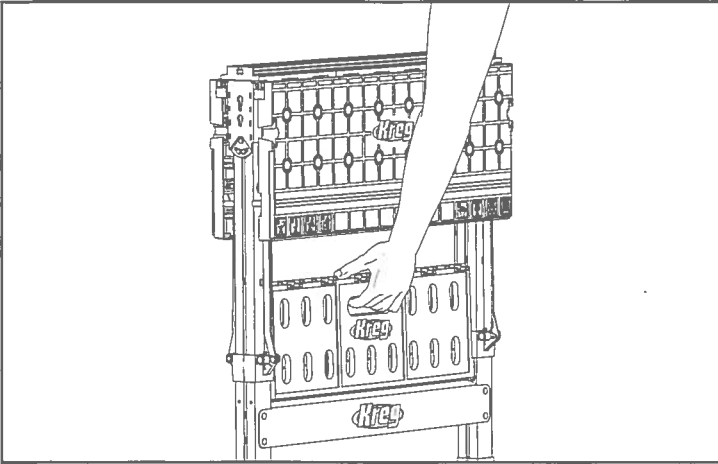
- (1) Patas extendidas. (2) Suba los sobres de la mesa. Asegúrese de que todos los bloqueos de las abrazaderas hayan encajado.

## ALMACENAJE



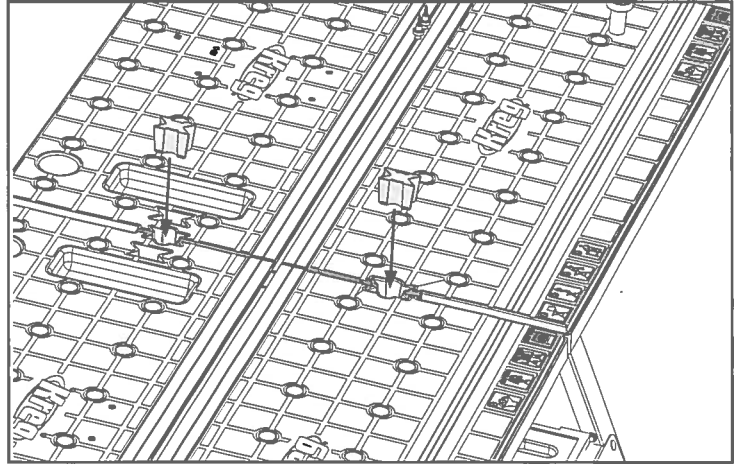
- (1) Levante las pestañas para desbloquear las abrazaderas. (2) Baje los sobres de la mesa. (3) Suba la balda. (4) Cierre las patas.

## TRANSPORTE



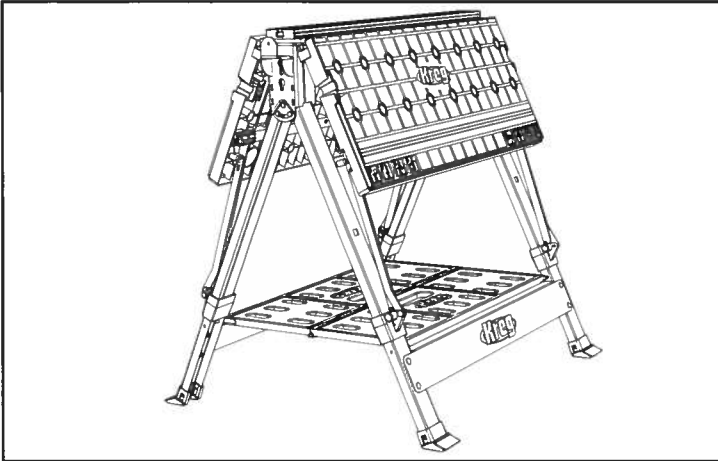
Para impedir un despliegue accidental, transporte siempre la mesa por los orificios para las manos de la balda.

## CONEXIÓN



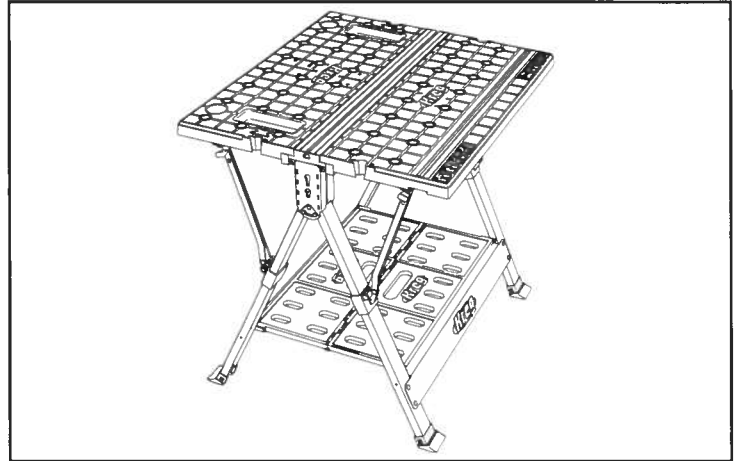
Las llaves de unión permiten juntar dos Mobile Project Center.

## CABALLETE



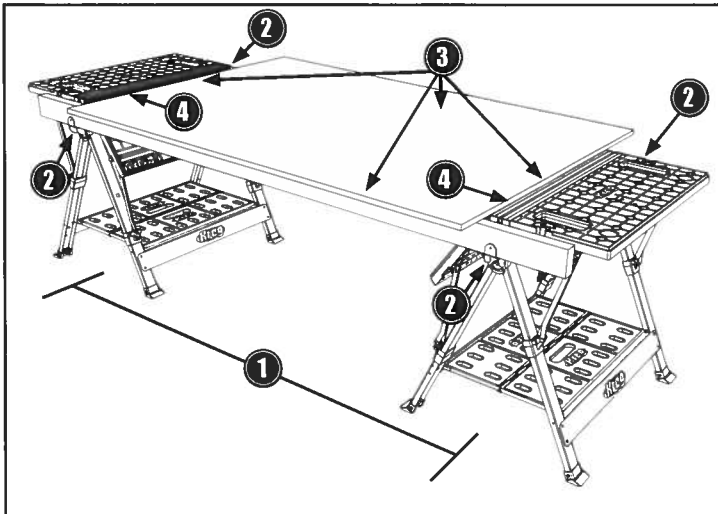
Patas extendidas, sobres de mesa plegados

## MESA



Patas extendidas, sobres de mesa desplegados

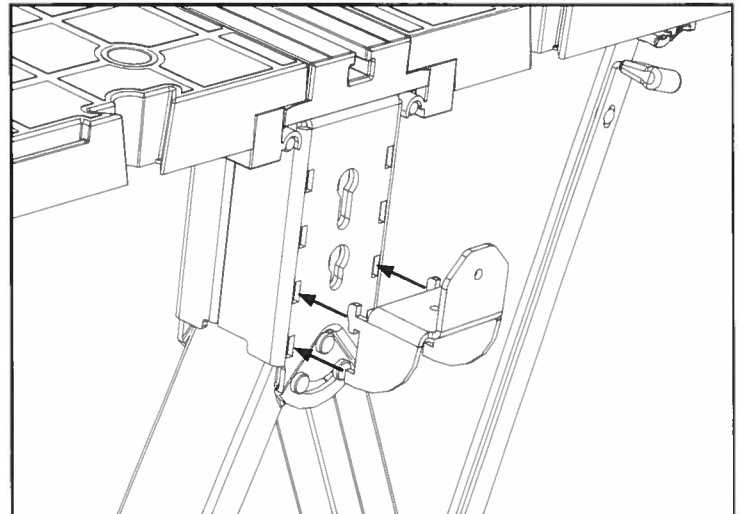
## DISPOSICIÓN DE MESA AMPLIADA



- (1) Dos Mobile Project Center ubicados a una distancia máxima de 2 m.
- (2) Soportes en posición inferior, un perfil de 5x10 en cada par de soportes.
- (3) El tablero de 2 cm se apoya sobre los perfiles de 5x10 y sobre los bordes de ambos sobres plegados.
- (4) Bordes del tablero colocados firmemente contra los perfiles guía Clamp Trak.
- (5) Distribuya el peso uniformemente.

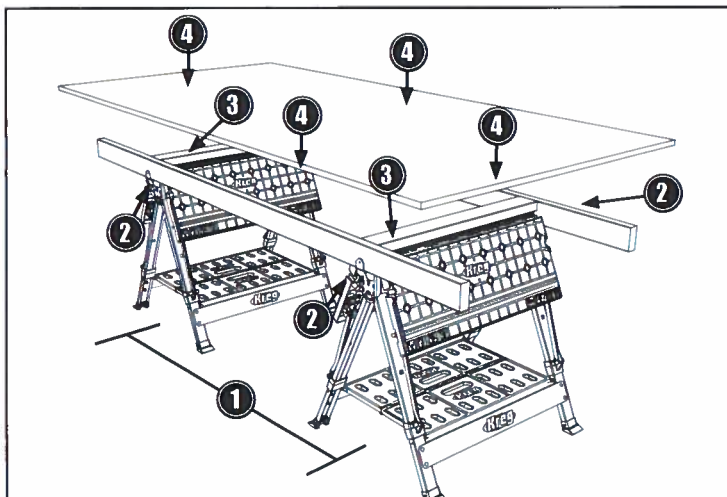
**⚠ ADVERTENCIA** Carga máxima: 998 kg [2.200 lb]

## POSICIÓN DE LOS SOPORTES: MESA AMPLIADA



Monte los soportes en las ranuras inferiores.

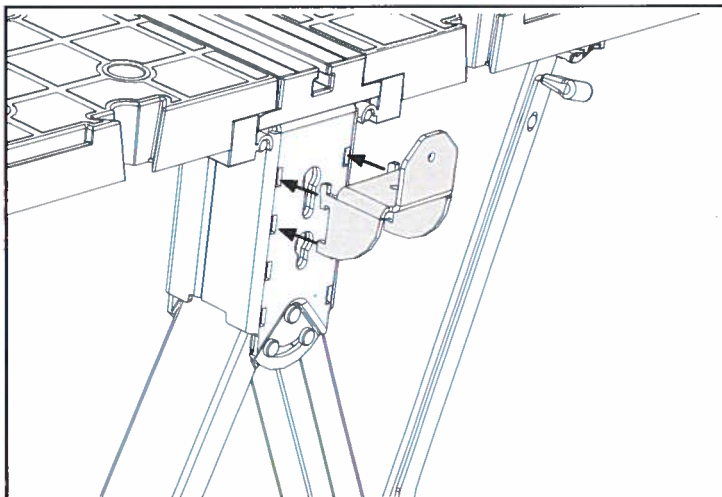
## DISPOSICIÓN DE CORTE



- (1) Dos Mobile Project Center ubicados a una distancia máxima de 2 m.
- (2) Soportes en posición superior, un perfil de 5x10 en cada par de soportes.
- (3) Tope de sacrificio de 5x10 instalado en cada Mobile Project Center. (Véase MONTAJE DE UN TOPE DE SACRIFICIO DE 5x10.)
- (4) El tablero de 2 cm se apoya en perfiles de 5x10 y topes de sacrificio de 5x10.
- (5) Distribuya el peso uniformemente.

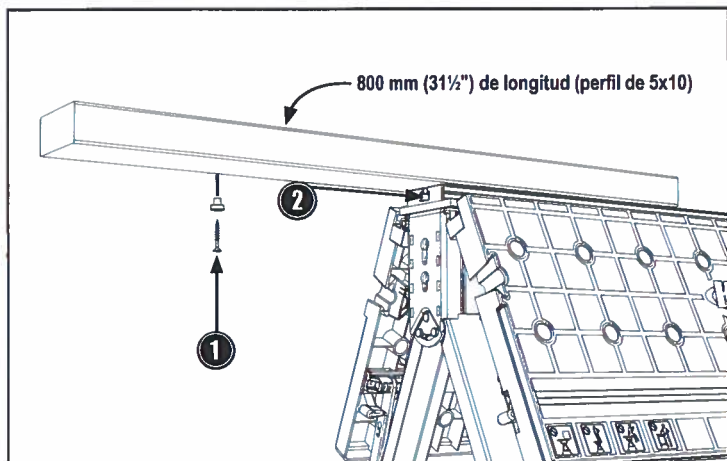
**⚠ ADVERTENCIA** Carga máxima: 998 kg [2.200 lb]

## POSICIÓN DE LOS SOPORTES: DISPOSICIÓN DE CORTE



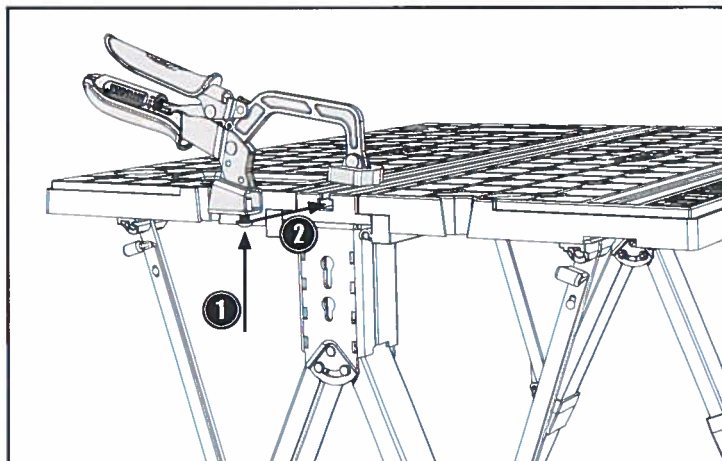
Monte los soportes en las ranuras superiores.

## MONTAJE DE UN TOPE DE SACRIFICIO DE 5x10



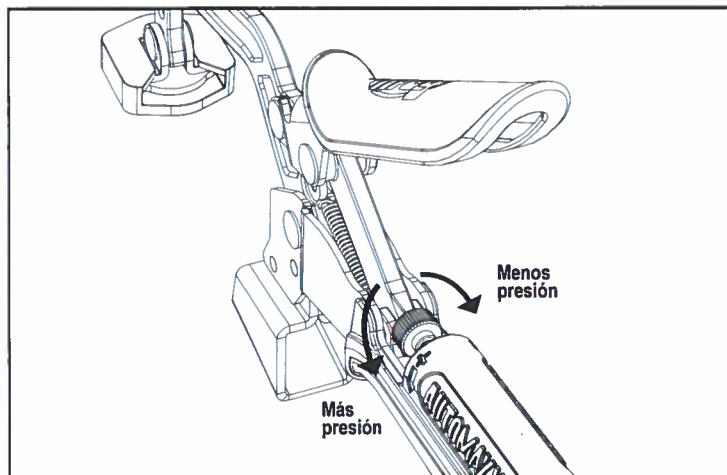
- (1) Fije los anclajes para perfil guía al perfil de 5x10 y (2) deslícelos por la ranura en T.

## MONTAJE DE LA MORDAZA

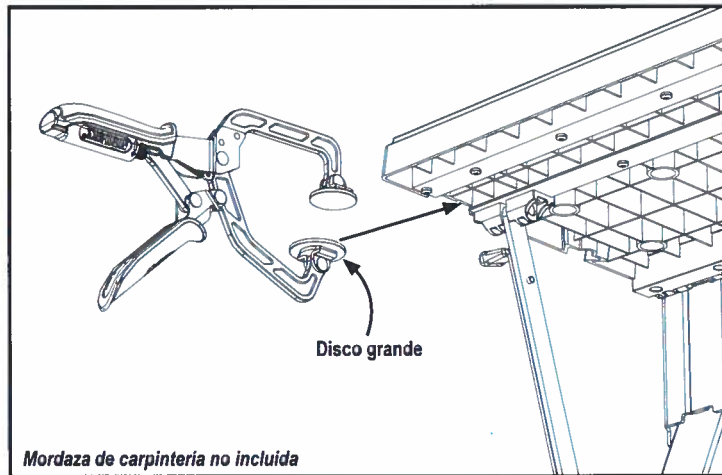


- (1) Ajuste el tornillo del anclaje de la mordaza y (2) deslícelo por la ranura en T.

## AJUSTE DE LA PRESIÓN DE LA MORDAZA



## USO DE UNA MORDAZA DE CARPINTERÍA KREG



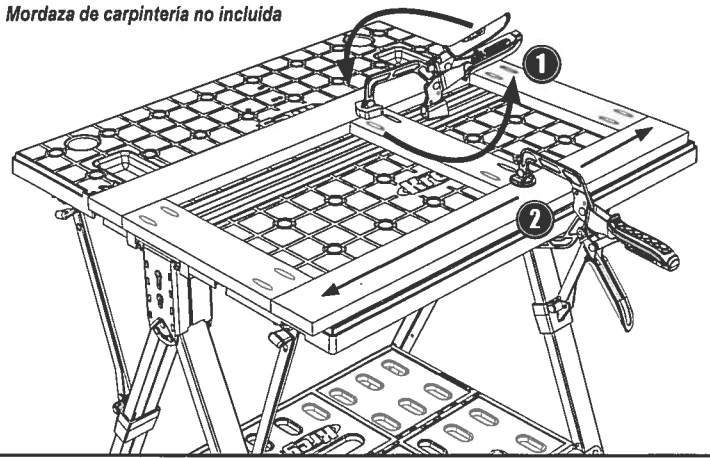
Mordaza de carpintería no incluida

Deslice el disco grande por la ranura en T.



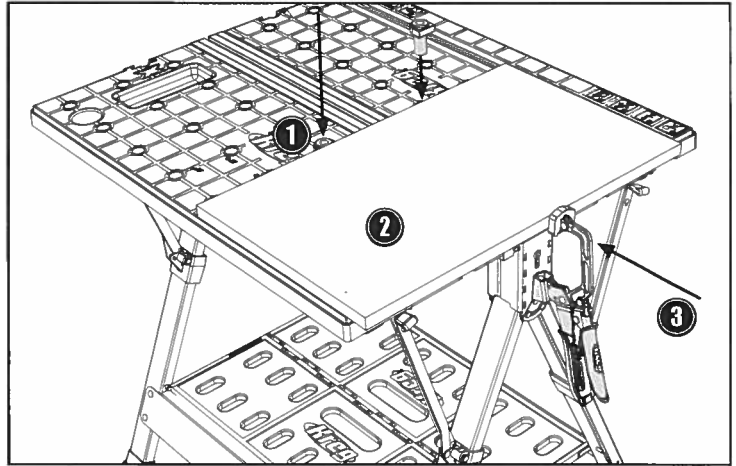
## AMORDAZADO AL SOBRE DE LA MESA

Mordaza de carpintería no incluida



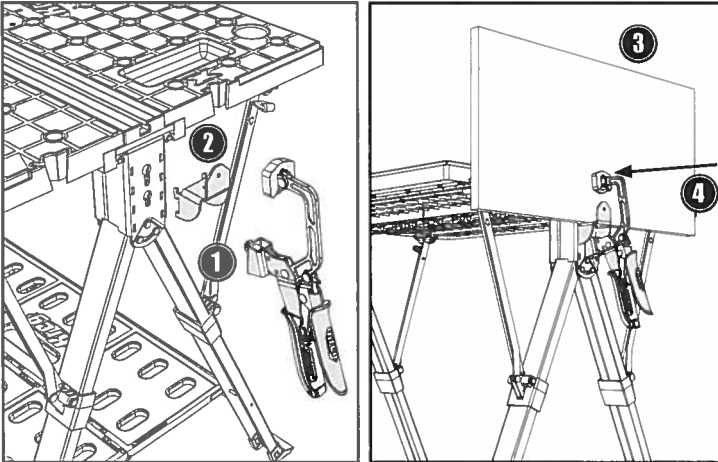
(1) La mordaza de banco gira 360°. (2) Deslice una mordaza de carpintería (accesorio opcional) hasta cualquier punto del borde.

## AMORDAZADO CON TOPES MÓVILES



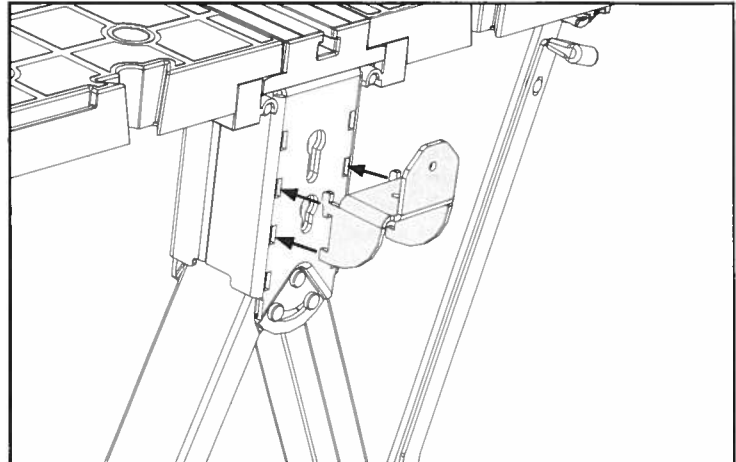
(1) Inserte los topes móviles en los orificios, (2) coloque la pieza de trabajo y (3) amordácela.

## MORDAZA



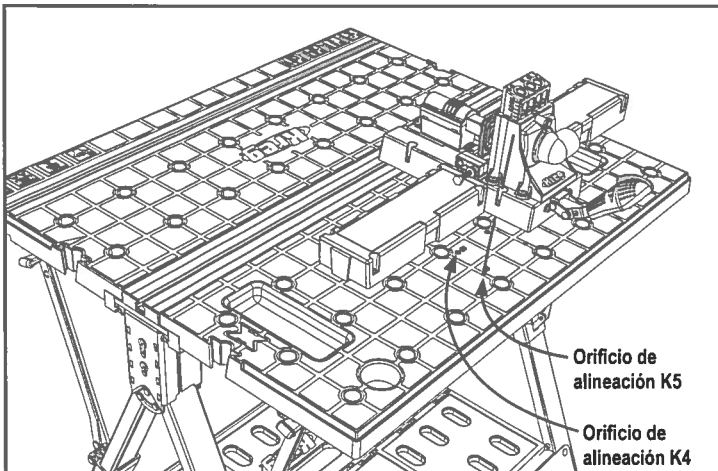
(1) Instale la mordaza en la ranura inferior.  
 (2) Instale el soporte en las ranuras centrales.  
 (3) Deposite la pieza de trabajo en el soporte y (4) amordácela.

## POSICIÓN DE LOS SOPORTES: MORDAZA



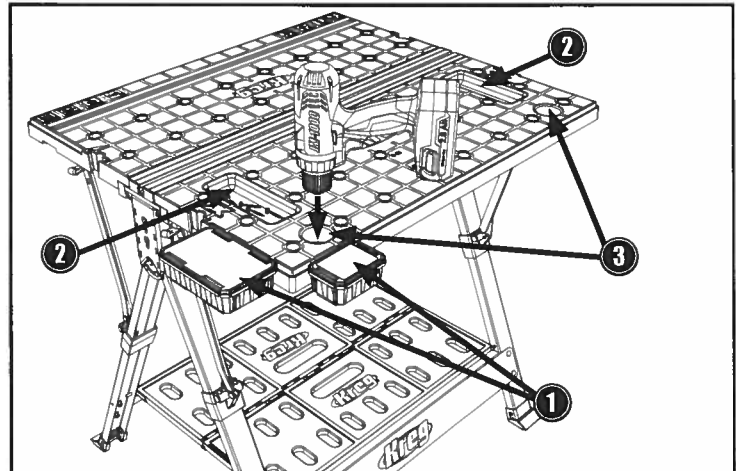
Monte el soporte en las ranuras centrales.

## MONTAJE DE UNA PLANTILLA KREG JIG®



Alinee la plantilla con los orificios correspondientes para K4 o K5.

## CARACTERÍSTICAS ADICIONALES



(1) Cuelgue los contenedores de tornillos Kreg de los bordes del sobre de la mesa.

**¡ ATENCIÓN** Cuelgue únicamente contenedores Kreg de 100 y 250 tornillos

(2) Guarde los herrajes en las bandejas embutidas.

(3) Las bocas permiten dejar taladros y destornilladores a mano.

# Generelle sikkerhedsanvisninger

**!** **ADVARSEL** Når du anvender elektrisk værktøj sammen med dette produkt, skal du altid følge værktøjsproducentens anvisninger samt *nedestående* sikkerhedsforanstaltninger for at reducere risikoen for brand, elektrisk stød og personskade. Læs alle disse anvisninger, før du tager produktet i brug. **GEM DENNE VEJLEDNING.**

## 1) Sikkerhed i arbejdsområdet

- Hold arbejdsområde rent og veloplyst. Rod eller mørke kroge indbyder til ulykker.
- Brug ikke elværktøj i farlige miljøer. Brug ikke elværktøj på våde eller fugtige steder, og udsæt det ikke for regn.
- Brug ikke elværktøj i eksplosionsfarlige omgivelser, f.eks. i nærheden af brændbare væsker eller gasser eller brændbart støv. Elværktøj danner gnister, som kan antænde dampe eller støv.
- Hold børn og andre forbipasserende på afstand, når du bruger elværktøj. Hvis du bliver distraheret, kan du miste kontrollen over værktøjet.
- Gør dit værksted børnesikkert. Brug hængelåse og hovedafbrydere, eller fjern startnøglerne.

## 2) Elsikkerhed

- Sørg for, at elværktøjet er jordet. Hvis elværktøjet er forsynet med et trebenet stik, må det kun sluttes til en jordforbundet stikkontakt med tre huller. Hvis der ikke findes en egnet stikkontakt, skal du få en uddannet elektriker til at installere en. Du må aldrig fjerne det tredje stikken eller modificere det medfølgende stik på nogen måde.
- Udsæt ikke elværktøj for regn eller våde forhold. Hvis der trænger vand ind i elværktøj, øges risikoen for elektrisk stød.
- Udsæt ikke ledningen for håndhændet behandling. Brug ikke ledningen til at bære eller trække elværktøjet, og træk ikke i ledningen, når du skal tage stikket ud af stikkontakten. Hold ledningen på afstand af varme, olie, skarpe kanter og bevægelige dele. Hvis ledningen bliver beskadiget eller sammenfiltret, øges risikoen for elektrisk stød.
- Brug en korrekt dimensioneret forlængerledning, og sørg for, at den er i god stand. Når du bruger en forlængerledning, skal du sikre dig, at den er dimensioneret til at kunne klare den spænding, elværktøjet trækker. Hvis ledningen er underdimensioneret, medfører det et fald i netspændingen, hvilket forårsager strømafbrydelse og overophedning. Tabel 1 viser den korrekte ledningsstørrelse alt efter ledningens længde og den nominelle ampereværdi på værktøjets typeskilt. Hvis du er i tvivl, skal du vælge en kraftigere ledning. Jo mindre målstørrelse, jo kraftigere er ledningen.
- Når du bruger elværktøj, skal du undgå kropskontakt med jordede eller jordforbundne overflader såsom rør, radiatorer, komfurer og køleskabe. Kontakt med en jordforbundet overflade øger risikoen for elektrisk stød.

## 3) Personlig sikkerhed

- Når du bruger elværktøj, skal du være agtpågivende, holde øje med, hvad du laver, og bruge din sunde fornuft. Brug ikke elværktøj, hvis du er træt eller påvirket af narkotika, alkohol eller medicin. Et øjebliklig uopmærksomhed under brug af elværktøj kan forårsage alvorlig personskade.
- Brug altid sikkerhedsbriller. Almindelige briller er ikke sikkerhedsbriller. Sikkerhedsbriller er udstyret med specialbyggede glas, stel og sidebeskyttere.
- Brug sikkerhedsudstyr. Brug en ansigts- eller støvmaske, når en skæreopgave genererer støv. Brug af sikkerhedsudstyr såsom støvmaske, skridsikre sikkerhedssko, sikkerhedshjelm eller høreværn under relevante forhold reducerer risikoen for personskade.
- Undgå utilsigtet start. Sørg for, at afbryderen er slået fra, før du slutter værktøjet til. Undlad at bære elværktøj med fingeren på afbryderen eller tilslutte elværktøj med afbryderen slået til, da det indbyder til ulykker.
- Fjern en eventuel justerings- eller skiftenøgle efterlades på en af elværktøjets roterende dele, kan det forårsage alvorlig personskade.
- Forsøg ikke at række længere, end du kan nå. Sørg for, at du altid har et godt fodfæste og en god balance. Det giver dig bedre kontrol over elværktøjet, hvis der opstår en uventet situation.
- Fastspænd arbejdssemnerne. Brug en skruesklemme eller en skruestik til at holde arbejdssemnerne fast, når det lader sig gøre. Det er mere sikkert end at holde emnerne i hånden, og det betyder, at du har begge hænder fri til at betjene elværktøjet.
- Stå aldrig på maskinen. Det kan medføre alvorlig personskade, hvis værktøjet vælter, eller hvis du utilsigtet kommer i kontakt med de skærende dele.
- Bær egnet tøj. Bær ikke løstsiddende tøj eller smykker. Hold hår, tøj og handsker på afstand af bevægelige dele. Løstsiddende tøj, smykker eller langt hår kan sætte sig fast i de bevægelige dele. Rul lange ærmer op til albuen. Tildæk langt hår.
- Hvis der findes enheder til tilslutning af udstyr til udsugning og opsamling af støv, skal du sikre, at de er tilsluttet og anvendes korrekt. Brug af disse enheder kan reducere de risici, der er relateret til støv.

## 4) Brug og vedligeholdelse af elværktøj

- Sørg for, at afskærmningerne er monteret, og at de er funktionsdygtige.
  - Overbelast ikke elværktøjet. Brug det rette elværktøj til anvendelsesformålet. Det rette elværktøj klarer opgaven på en bedre og mere sikker måde ved den hastighed, det er beregnet til.
  - Brug det rette værktøj. Forsøg ikke at tvinge et værktøj eller tilbehør til at udføre en opgave, det ikke er designet til.
  - Brug ikke elværktøjet, hvis du ikke kan tænde og slukke for det med afbryderen. Et elværktøj, som ikke kan betjenes med afbryderen, er farligt og skal repareres.
  - Tag stikket ud af stikkontakten og/eller fjern batteriet fra elværktøjet, før du foretager justeringer, skifter tilbehør eller stiller elværktøjet væk. Disse forebyggende tiltag reducerer risikoen for, at elværktøjet startes utilsigtet.
  - Efterlad aldrig et tændt elværktøj uden opsyn. Sluk for strømmen. Gå ikke fra værktøjet, før det er standset helt.
  - Opbevar elværktøj, som ikke er i brug, uden for børns rækkevidde, og lad ikke personer, som ikke er bekendt med elværktøjet og denne vejledning, bruge elværktøjet. Elværktøj er farligt for personer, som ikke er vant til at bruge det.
  - Vedligehold dit elværktøj. Kontroller, at de bevægelige dele ikke er skæve eller river sammen, at der ikke er defekte dele, og at der ikke er andre forhold, som kan påvirke elværktøjets funktion. Hvis elværktøjet er beskadiget, skal det repareres, før du bruger det igen. Mange ulykker skyldes dårligt vedligeholdt elværktøj.
  - Hold skærende værktøj skarpt og rent. Korrekt vedligeholdt skærende værktøj med skarpe skær har mindre sandsynlighed for at rive sammen og er lettere at styre.
  - Brug den anbefalede hastighed til det skærende værktøj eller tilbehør og arbejdsemnets materiale.
  - Brug kun dele og tilbehør, der er anbefalet af producenten. Se brugervejledningen for at få en liste over anbefalet tilbehør. Brug af forkert tilbehør kan forårsage personskade.
  - Brug elværktøjet, tilbehøret og hårdmetalskærene i overensstemmelse med denne vejledning og på den måde, som det pågældende elværktøj er beregnet til at blive brugt, under hensyntagen til arbejdsforholdene og den opgave, der skal udføres. Brug af elværktøjet til andre funktioner end de beregnede kan medføre, at der opstår en farlig situation.
- ## 5) Service
- Indlever elværktøjet til service hos en uddannet reparatør, og brug kun identiske reservedele. Det garanterer, at elværktøjets sikkerhed opretholdes.

## 6) Sikkerhedsanvisninger, der gælder specielt for Kreg Mobile Project Center

- Når bordplademe foldes ud, skal du tage fat med begge hænder om bordplademes udvendige hjørner og løfte op. Sørg for, at afstiverne går korrekt i indgreb.
- Når bordplademe foldes ned, skal du tage fat med begge hænder om tappene, der frigør afstiverne. Træk tappene op, og tryk bordpladen ned. Hold hænderne på afstand af potentielle klemningspunkter.
- Udfør altid arbejdet på en tør og plan overflade.
- Når du anvender elværktøj sammen med Mobile Project Center, skal du følge producentens sikkerhedsanvisninger.
- For at forhindre, at værktøjet vælter, skal du altid montere værktøj, der skal anvendes på et arbejdsbord, så det er centreret over Clamp Trak-kanalen.
- Hvis to Mobile Project Center-enheder anvendes i forlængelse af hinanden, anbefales det at bruge en eller to tværstivere på 5 x 10 cm for at give ekstra styrke.
- Mobile Project Center er ikke beregnet til brug udendørs under fugtige forhold.
- Opbevar altid Mobile Project Center indendørs eller på et sted, hvor det er skærmet mod vejrliget.
- Det er ikke tilladt at sidde eller stå på Mobile Project Center eller bruge Mobile Project Center som stillads eller til andre formål, der ikke er nævnt i denne vejledning.
- Tråd ikke op på hylden.
- Hæng ikke genstande på Mobile Project Center med undtagelse af dem, der er nævnt i denne vejledning.

# Generelle sikkerhedsanvisninger

## Retningslinjer for brug af forlængerledninger

Forlængerledninger er kun beregnet til midlertidig brug. De kan ikke erstatte installation af stikkontakter og korrekt ledningsføring, hvor dette er påkrævet.

### I værkstedet og på byggepladser:

1. Der skal altid anvendes forlængerledninger med jordledning til udstyret.
2. Forlængerledninger skal beskyttes mod skader og må ikke føres gennem dør- eller vinduesåbninger, da der er risiko for, at døren eller vinduet lukkes i, så ledningen bliver beskadiget.
3. Forlængerledninger skal som minimum være på 16 AWG og have en mærkespænding, der passer til det anvendte udstyr.
4. Forlængerledninger skal efterses periodisk for at sikre, at isoleringen og ledernes ledningsevne ikke er kompromitteret.
5. Forlængerledninger må ikke føres gennem vand eller have tilslutninger, som kan blive eksponeret for ansamlet vand.

TABEL 1

Mærkeværdi i ampere ved 120 V	Forlængerledningens længde					
	25'	50'	75'	100'	150'	200'
	Anbefalet ledningsstørrelse					
0 - 5	16	16	16	14	12	12
5.1 - 8	16	16	14	12	10	NR
8.1 - 12	14	14	12	10	NR	NR
12.1 - 16	12	12	NR	NR	NR	NR

NR – Not Recommended (anbefales ikke)

### FARE FOR ELEKTRISK STØD

Produktets metaldele er elektrisk ledende. Udgå forhold, der medfører elektrisk forbindelse. Elværktøj uden korrekt jordforbindelse udgør en risiko for elektrisk stød, som kan medføre alvorlig personskade eller dødsfald, særligt hvis elværktøjet anvendes på et fugtigt sted, i nærheden af vandrør og andre jordforbundne overflader eller udendørs.

**!** **ADVARSEL** Støv, der opstår i forbindelse med polering, savning, slibning, boring eller andre byggeaktiviteter, kan indeholde kemikalier, som menes at kunne forårsage kræft og fosterskader eller andre skader på forplantningsevnen. Eksempler på sådanne kemikalier er:

- a) Bly fra blybaseret maling
- b) Krystallinsk siliciumdioxid fra mursten og cement samt andre produkter, der anvendes til murerarbejde
- c) Arsenik og krom fra kemisk behandlet træ

Din risiko som følge af eksponering for disse kemikalier afhænger af, hvor ofte du udfører den pågældende type arbejde. For at reducere din eksponering skal du arbejde i et godt ventileret område og anvende godkendt sikkerhedsudstyr såsom en støvmaske, der er designet specifikt til at bortfiltrere mikroskopiske partikler.

## Forklaring af sikkerhedssymbolerne på Mobile Project Center



Anvend ikke usymmetriske belastninger.



Det er ikke tilladt at stå på Mobile Project Center.



Det er ikke tilladt at sidde på Mobile Project Center.



Det er ikke tilladt at stå på hylden.



Brug altid øjenværn.



Maksimal belastning med begge bordplader foldet ud: 158 kg jævnt fordelt; 45 kg jævnt fordelt på hver sideplade



Maksimal belastning ved brug af to Mobile Project Center-enheder uden udfoldede bordplader: 997 kg



Maksimal belastning på hylden: 11 kg

## Begrænset garanti på Kreg Mobile Project Center

Kreg Tool Company garanterer alene over for den originale køber, at Kreg Mobile Project Center er fri for defekter i materialer og udførelse i en periode på tre (3) år fra købsdatoen. Kreg Tool Company vil, efter eget skøn, reparere eller udskifte ethvert produkt (eller enhver del af et produkt), der viser sig at være defekt i den nævnte garantiperiode. Denne garanti gælder kun for produkter, som anvendes i overensstemmelse med alle anvisninger, der fremgår af kataloger, vejledninger og/eller sæt med anvisninger leveret af Kreg Tool Company.

Denne garanti træder kun i kraft, hvis den originale køber gennemfører en fuldstændig og korrekt produktregistrering på hjemmesiden ([www.kregtool.com](http://www.kregtool.com)) eller ringer til Kreg Tool Companys kundeservice (på tlf. +1 800 447 8638).

Denne garanti er ugyldig, hvis produktet har været udsat for (1) forkert brug, misbrug eller forkert opbevaring, (2) en ulykke, misligholdelse, beskadigelse eller andre forhold, der ligger uden for Kreg Tool Companys kontrol, (3) modifikationer, adskillelse, manipulation, ombygning eller reparationer, som ikke er godkendt af Kreg Tool Company, og (4) hvis det overdrages til andre købere end den originale. Denne garanti dækker ikke normal slitage, korrosion, afslidning eller reparationer, der er nødvendige af naturlige årsager eller som følge af force majeure.

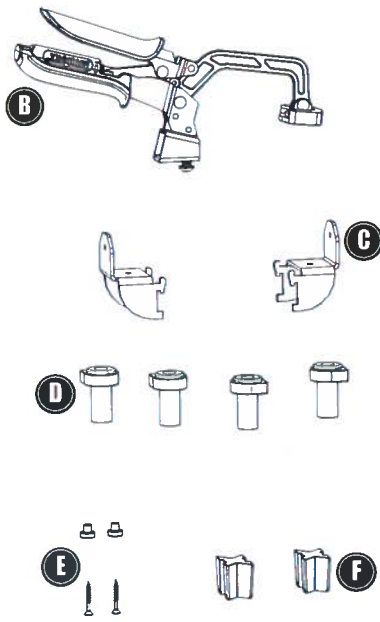
Det er Kreg Tool Companys eneste garanti. Enhver anden garanti, som måtte være underforstået i henhold til lovgivningen, herunder garantier for produktets salgbarhed eller egnethed til et bestemt formål, begrænses hermed til denne garantis gyldighedsperiode. Kreg Tool Company kan ikke holdes ansvarlig for tab, skader eller udgifter, der opstår som en direkte eller indirekte følge af brugen af virksomhedens produkter eller som følge af enhver anden årsag, eller for følgeskader (herunder, men ikke begrænset til, tidstab, gener og produktionstab). Nærværende garanti må ikke modificeres, og der må ikke fremsættes nogen anden garanti, hverken udtrykkelig eller underforstået, af eller på vegne af Kreg Tool Company.

Vi anbefaler dig at gemme nedenstående oplysninger i tilfælde af, at du ønsker at fremsætte et garantikrav. Vedhæft en kopi af købskvitteringen som yderligere dokumentation.

Købsdato: \_\_\_/\_\_\_/\_\_\_

Købt hos: \_\_\_\_\_

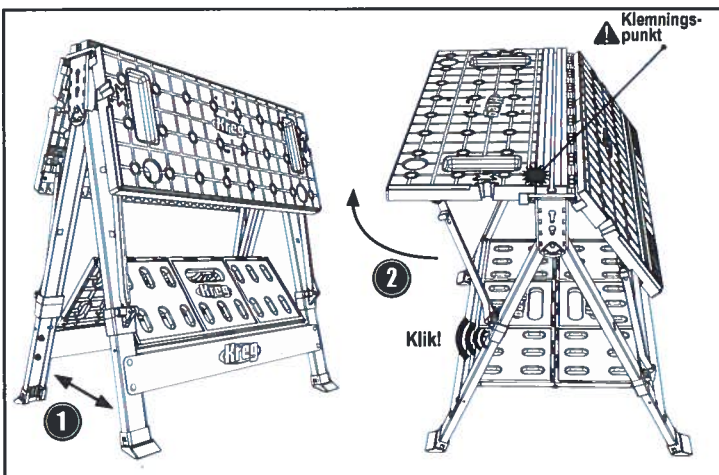
# DELE



## Medfølgende dele:

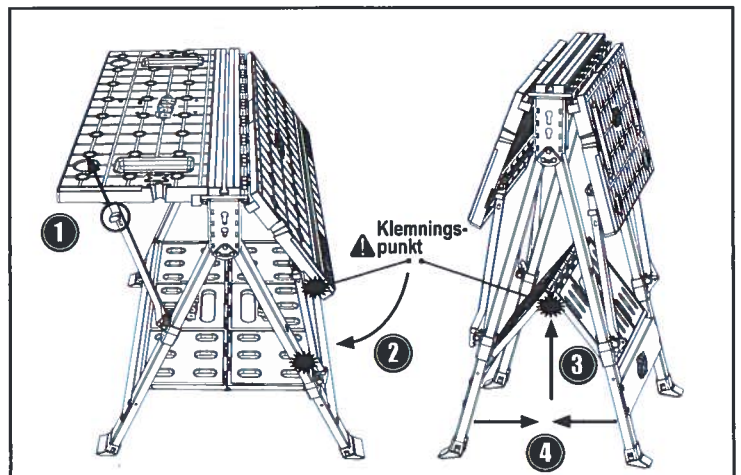
- (A) Mobile Project Center
- (B) Bench Clamp på 7,62 cm med Automaxx®
- (C) Støttebeslag (2)
- (D) Kreg® Bench Dogs (4)
- (E) Trak-bøsninger (2) og -skruer (2)
- (F) Koblingssplitter (2)

## OPSTILLING



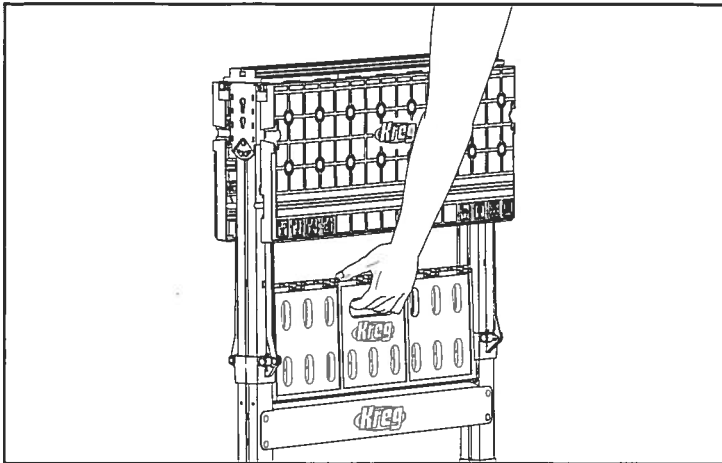
- (1) Spred benene.
- (2) Fold bordpladerne op. Sørg for, at alle afstiverne går korrekt i indgreb.

## OPBEVARING



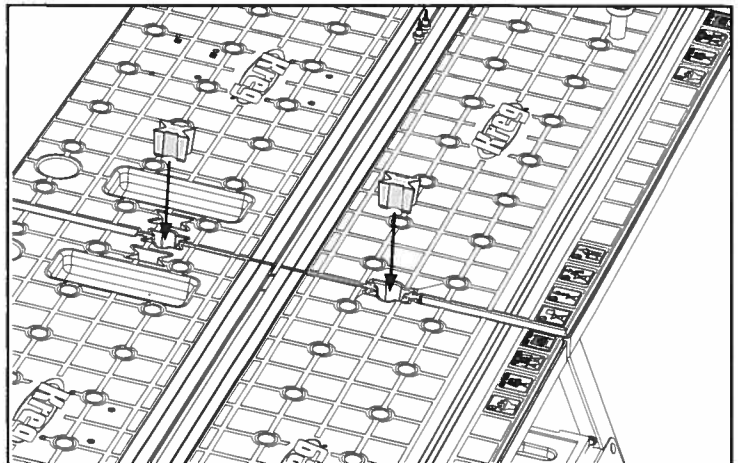
- (1) Løft tappene for at frigøre afstiverne. (2) Fold bordpladerne ned. (3) Løft hylden op. (4) Saml benene.

## TRANSPORT



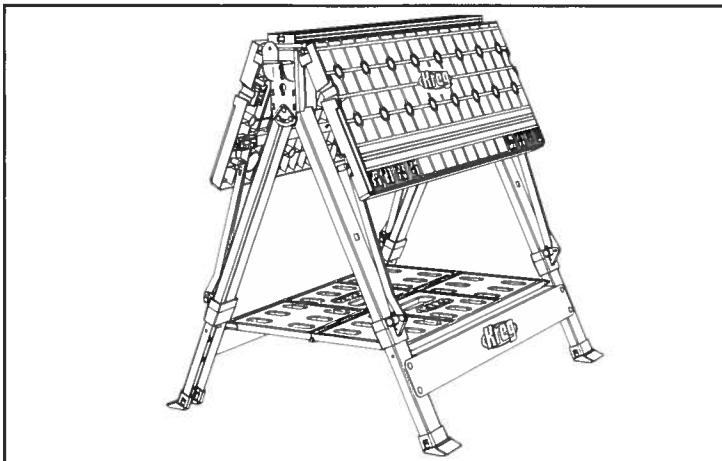
Bær altid produktet i hydens håndtag for at undgå, at det utilsigtet folder sig ud.

## SAMMENKOBLING



Brug koblingsplitterne til at sammenkoble to Mobile Project Center-enheder.

## SAVBUK



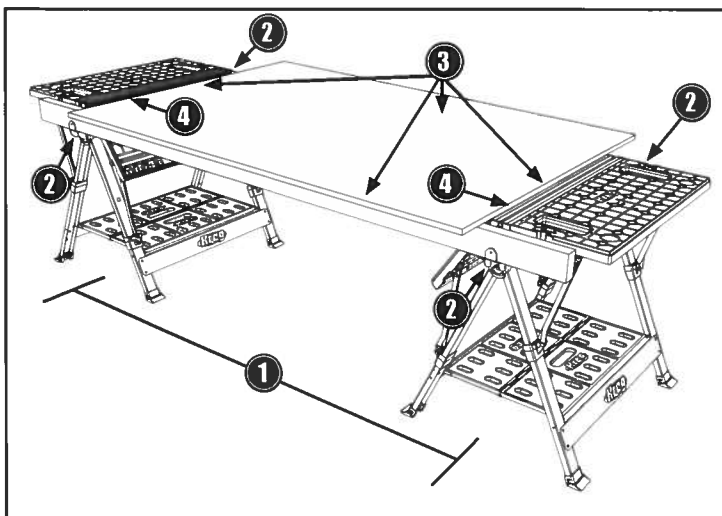
Spredte ben, bordplader foldet ned

## BORD



Spredte ben, bordplader foldet op

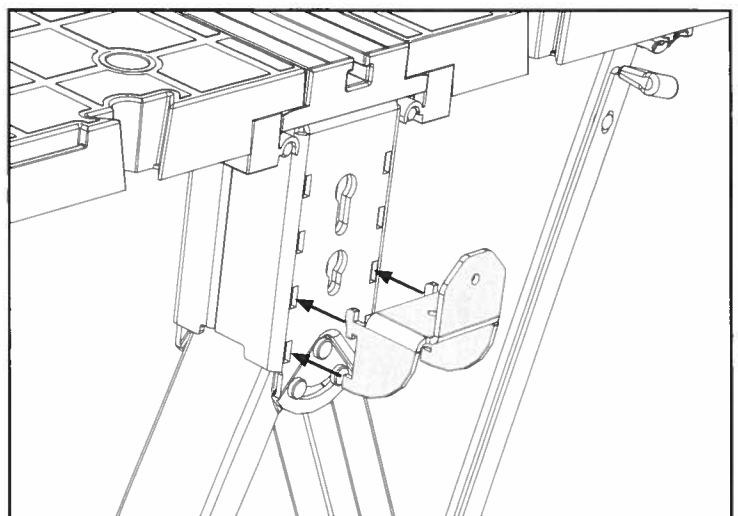
## OPSTILLING MED FORLÆNGET BORDPLADE



- (1) To Mobile Project Center-enheder placeret med højst 2 meters afstand.
- (2) Støttebeslag i nederste position, en lægte på 5 x 10 cm i hvert sæt beslag.
- (3) En krydsfinerplade med en tykkelse på 2 cm hviler på lægterne og på kanterne af de to nedfældede bordplader.
- (4) Krydsfinerpladens kanter hviler solidt mod hver Clamp Trak.
- (5) Vægten er jævnt fordelt.

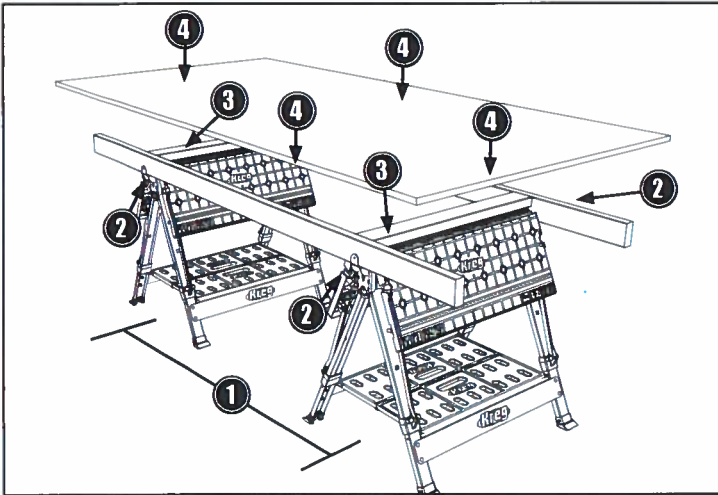
**⚠ ADVARSEL** Maksimal belastning: 998 kg

## BESLAGPLACERING: FORLÆNGET BORDPLADE



Monter støttebeslagene i de nederste huller.

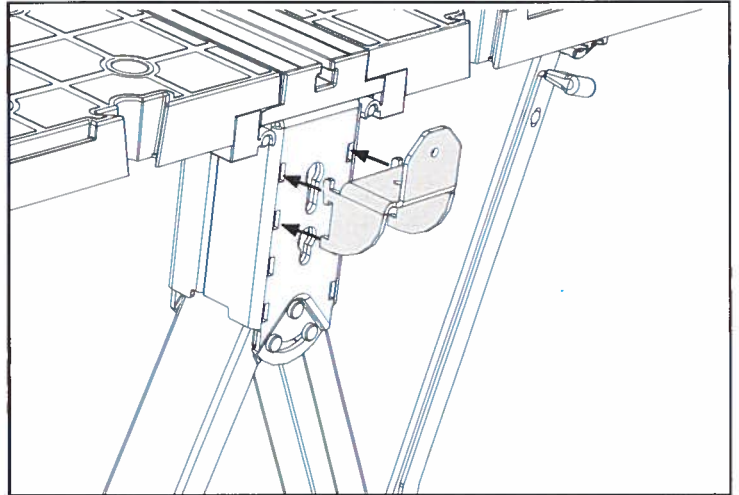
## OPSTILLING TIL SKÆRING



- (1) To Mobile Project Center-enheder placeret med højst 2 meters afstand.
- (2) Støttebeslag i øverste position, en lægte på 5 x 10 cm i hvert sæt beslag.
- (3) Offerlægte på 5 x 10 cm monteret på hver Mobile Project Center-enhed.  
(Se MONTERING AF EN OFFERLÆGTE.)
- (4) En krydsfinerplade med en tykkelse på 2 cm hviler på lægterne og offertægterne.
- (5) Vægten er jævnt fordelt.

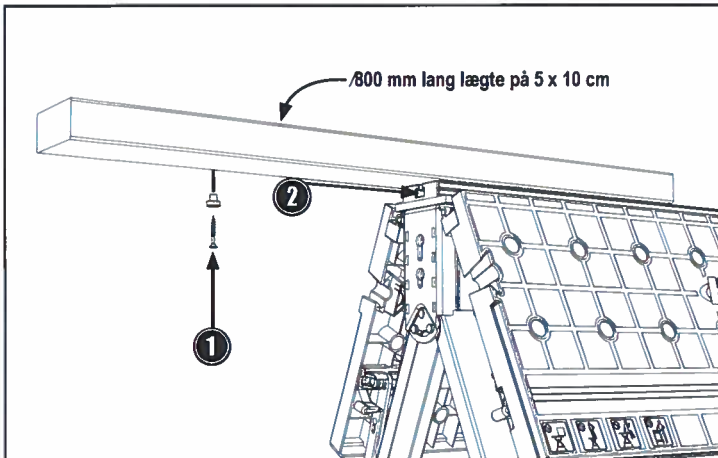
⚠ ADVARSEL Maksimal belastning: 998 kg

## BESLAGPLACERING: OPSTILLING TIL SKÆRING



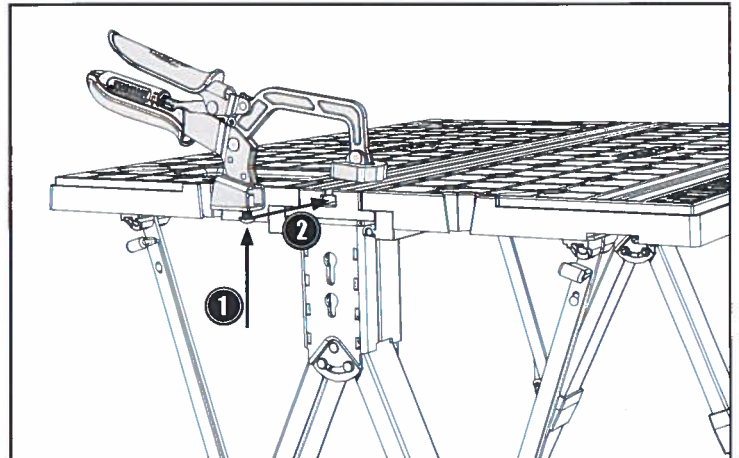
Monter støttebeslagene i de øverste huller.

## MONTERING AF EN OFFERLÆGTE



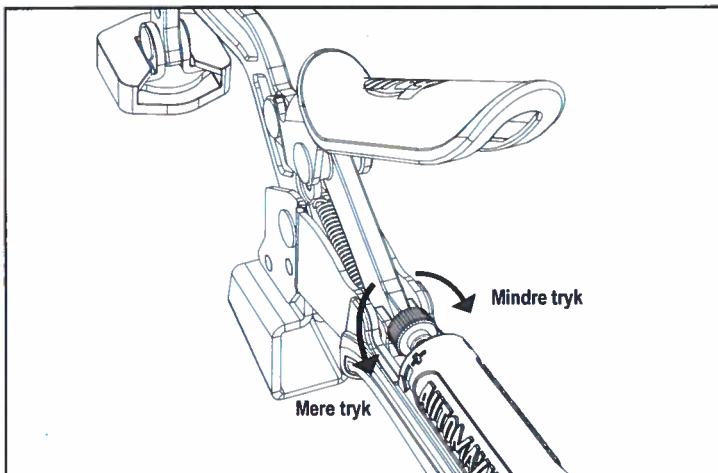
- (1) Monter Trak-bøsningerne i lægten, og (2) skub dem ind i den T-formede åbning.

## MONTERING AF BENCH CLAMP

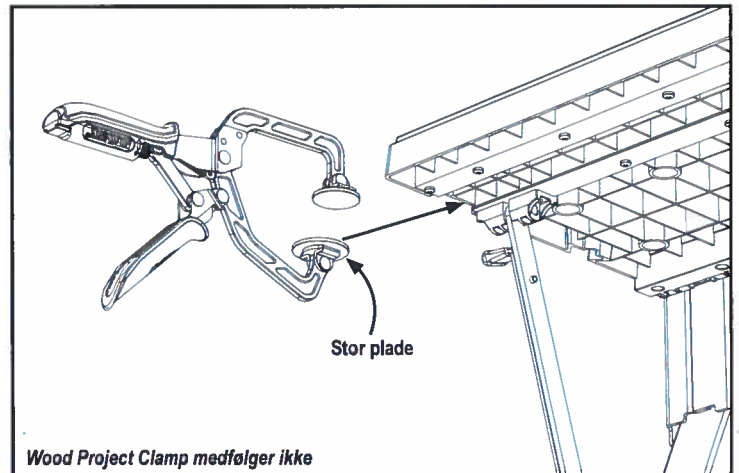


- (1) Juster skruerklemmens spændeskruer, og (2) skub den ind i den T-formede åbning.

## JUSTERING AF BENCH CLAMPS TRYK



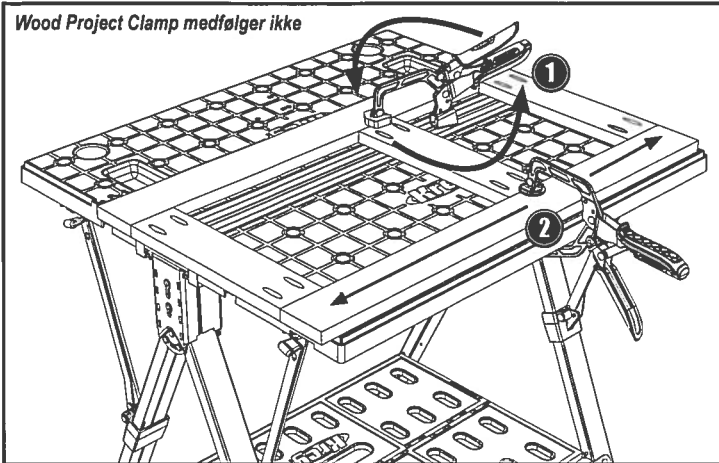
## BRUG AF EN KREG WOOD PROJECT CLAMP



Wood Project Clamp medfølger ikke.  
Skub den store plade ind i den T-formede åbning.

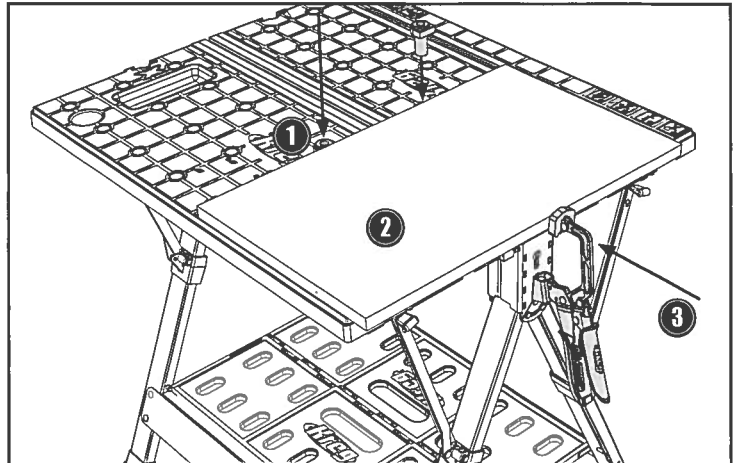
## FASTSPÆNDING PÅ BORDPLADEN

Wood Project Clamp medfølger ikke



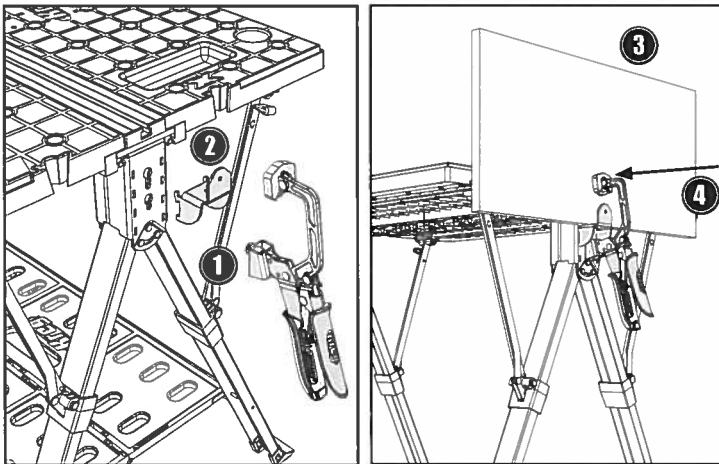
(1) Bench Clamp kan drejes 360°. (2) Placer en Wood Project Clamp (valgfrit tilbehør) et vilkårligt sted langs kanten.

## FASTSPÆNDING MED BENCH DOGS



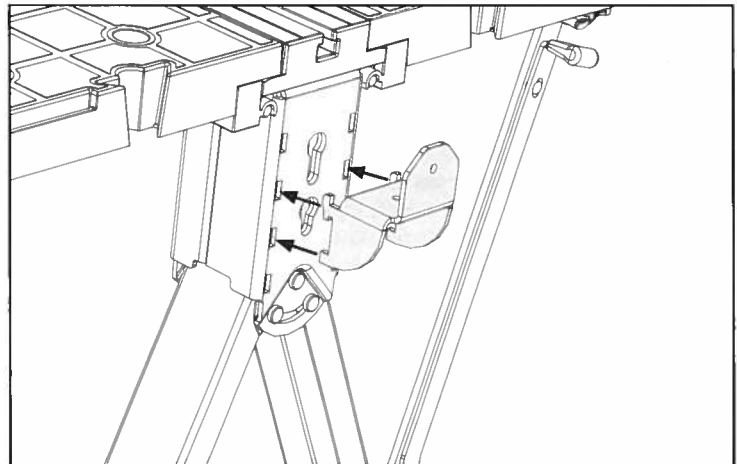
(1) Sæt Bench Dogs i hullerne, (2) placer arbejdsområdet, og (3) spænd det fast.

## CLAMP VISE



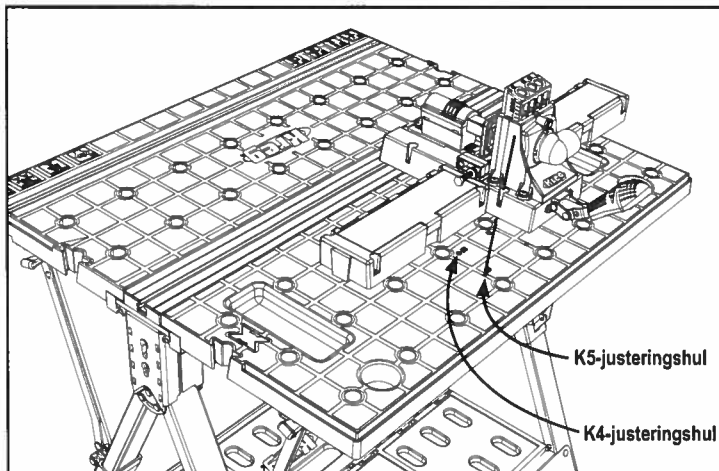
(1) Monter Bench Clamp i den nederste nøglehulsformede åbning.  
(2) Monter støttebeslaget i de midterste huller.  
(3) Placer arbejdsområdet, så det hviler på beslaget og (4) klemmen.

## BESLAGPLACERING: CLAMP VISE



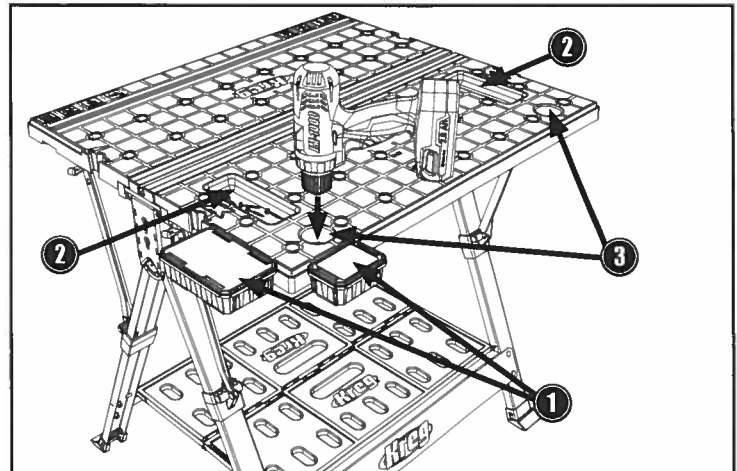
Monter støttebeslaget i de midterste huller.

## MONTERING AF EN KREG JIG®



Placer erneholderen, så den flugter med de tilsvarende huller til enten K4 eller K5.

## EKSTRAFUNKTIONER



(1) Hæng Kreg skruerholdere på bordpladens kanter.

**! BEMÆRK** Kun skruerholdere fra Kreg til 100 eller 250 stk. må hænges på kanten.  
(2) Opbevar beslag i de forsænkede bakker.  
(3) Anbring boremaskinen i en af holderne, så den altid er lige ved hånden.

# Yleisiä turvallisuusohjeita

**!** **VAROITUS** Kun tämän tuotteen kanssa käytetään sähkötyökaluja, *alla* esitettyjen varotoimien lisäksi on aina noudatettava työkalun valmistajan ohjeita, jotta voidaan vähentää tulipalon, sähköiskun ja henkilövahingon riskiä. Lue kaikki nämä ohjeet ennen kuin alat käyttää tuotetta. **SÄILYTÄ NÄMÄ OHJEET.**

## 1) Työalueen turvallisuus

- Pidä työalue puhtaana ja hyvin valaistuna.** Epäjärjestyksessä olevat ja pimeät alueet ovat otollisia onnettomuuksille.
- Älä käytä konetyökaluja vaarallisessa ympäristössä.** Älä käytä konetyökaluja kosteissa tai märissä tiloissa tai altista niitä sateelle.
- Älä käytä konetyökaluja räjähdysvaarallisissa tiloissa, kuten tiloissa, joissa on syttyviä nesteitä, kaasuja tai pölyä.** Konetyökaluista tulee kipinöitä, jotka voivat saada höyryt tai pölyn syttymään.
- Pidä lapset ja sivulliset loitolla sähkötyökalua käytettäessä.** Häiriöt voivat saada sinut menettämään hallinnan.
- Tee työpajasta lapsiturvallinen.** Käytä munalukkoja, pääkytkimiä tai poista käynnistysavaimet.

## 2) Sähköturvallisuus

- Maadoita sähkötyökalut. Jos työkalussa on kolmipiikkinen pistoke, se tulee liittää ainoastaan maadoitettuun kolmireikäiseen sähköpistorasiaan.** Jos sopivaa pistorasiaa ei ole käytettävissä, anna pätevän sähköasentajan asentaa sellainen. Älä koskaan poista kolmatta piikkiä tai muuta toimitettu pistoketta millään tavalla.
- Älä altista konetyökaluja sateelle tai märille olosuhteille.** Veden pääseminen sähkötyökaluun lisää sähköiskun riskiä.
- Älä käytä johtoa väärin. Älä koskaan käytä johtoa sähkötyökalun kantamiseen, vetämiseen tai irti kytkemiseen.** Pidä johto pois kuumuudesta, öljystä, terävistä reunoista tai liikkuvista osista. Vaurioituneet tai sotkeutuneet johdot lisäävät sähköiskun riskiä.
- Käytä asianmukaista jatkojohtoa ja varmista, että se on hyväkuntoinen.** Kun jatkojohtoa käytetään, varmista, että se on riittävän paksu johtamaan virtaa, jonka konetyökalu tarvitsee. Alimitoitettu johto aiheuttaa johdon jännitteenalenumaa, mistä seuraa tehohäviö ja ylikuumentuminen. **Taulukossa 1** esitetään oikea johdinpaksuusstandardi, jota käytetään sen mukaan, mikä on johdon pituus ja työkalun nimikyltissä määritelty ampeeriluokitus. Jos olet epävarma, käytä seuraavaksi raskaampaa kokoa. Mitä pienempi paksuusnumero, sitä raskaampi johto.
- Kun sähkötyökaluja käytetään, vältä kehon kosketusta maadoitettuihin pintoihin, kuten piippuihin, lämpöpattereihin, helioihin ja jääkaappeihin.** Kosketus maadoitettuun pintaan lisää sähköiskun riskiä.

## 3) Henkilöturvallisuus

- Ole tarkkana, katso mitä teet ja käytä tervettä järkeä, kun käytät konetyökalua. Älä käytä konetyökaluja väsyneenä tai huumeiden, alkoholin tai lääkkeiden vaikutuksen alaisena.** Huomion hetkellinen herpaantuminen konetyökalujen käytön aikana voi johtaa vakavaan henkilövahinkoon.
- Käytä aina suojalaseja.** Tavalliset silmälasit eivät ole suojalaseissa. Suojalaseissa on erikoisvalmisteiset linssit, kehukset ja sivusuojat.
- Käytä turvavarusteita.** Käytä kasvo- tai pölynaamaria, kun leikkaamisessa muodostuu pölyä. Turvavarusteet, kuten pölynaamari, liukumattomat turvakengät, suojakypärä tai kuulosuojaimet, joita käytetään olosuhteiden mukaan, vähentävät henkilövahinkoja.
- Vältä tahatonta käynnistystä. Varmista, että kytkin on pois-asennossa ennen pistokkeen kytkemistä.** Konetyökalujen kantaminen sormi kytkimen päällä tai sellaisten konetyökalujen pistokkeen kytkeminen, joiden kytkin on päällä-asennossa, on onnettomuusaltista toimintaa.
- Poista mahdolliset jokoavaimet tai kiintoavaimet ennen konetyökalun kytkemistä päälle.** Jakoavain tai kiintoavain, joka on liitetty konetyökalun pyörivään osaan, voi johtaa vakavaan henkilövahinkoon.
- Älä kurkota liikaa. Pidä jalat hyvin maassa, jotta tasapaino säilyy koko ajan.** Näin mahdollistetaan konetyökalun parempi hallinta odottamattomissa tilanteissa.
- Kiinnitä työstettävät kappaleet.** Käytä pidikkeitä tai ruuvipenkkiä työn pitämiseksi paikallaan, kun se on käytännöllistä. Se on turvallisempaa kuin käyttää käsiä ja vapauttaa molemmat kädet käyttämään työkalua.
- Älä koskaan seiso koneen päällä.** Jos työkalu kaatuu tai jos leikkaustyökalua kosketetaan tarkoituksettomasti, seurauksena voi olla vakava vamma.
- Pukeudu asianmukaisesti. Älä käytä löysiä vaatteita tai koruja. Pidä hiukset, vaatteet ja käsineet pois liikkuvista osista.** Löysät vaatteet, korut tai pitkät hiukset voivat tarttua liikkuviin osiin. Kääri pitkät hihat kynnärpäihin asti. Käytä pitkille hiuksille hiustensuojainta.
- Jos laitteet tarjotaan pölynpoisto- ja keräyslaitteen liitännää varten, varmista, että ne on liitetty ja että niitä käytetään oikein.** Tällaisten laitteiden käyttö voi vähentää pölyyn liittyviä vaaroja.

## 4) Konetyökalun käyttö ja hoito

- Pidä suojat paikallaan ja käyttökunnossa.**
  - Älä kuormita konetyökalua. Käytä käyttötarkoitukseen sopivaa konetyökalua.** Oikea konetyökalu tekee työn paremmin ja turvallisemmin sulle suunnitellulla nopeudella.
  - Käytä oikeaa työkalua.** Älä käytä työkalua tai lisäosaa väkisin tarkoitukseen, johon sitä ei ole suunniteltu.
  - Älä käytä konetyökalua, jos kytkin ei toimi.** Konetyökalua, jota ei voida ohjata kytkimellä, on vaarallinen ja se täytyy korjata.
  - Kytke pistoke irti virtalähteestä ja/tai akkuyksikkö konetyökalusta ennen kuin teet mitään asetuksia, vaihdat lisävarusteita tai varastoit konetyökaluja.** Tällaiset ennalta ehkäisevät turvatoimet vähentävät riskiä konetyökalun käynnistymisestä vahingossa.
  - Älä koskaan jätä työkalua käyntiin ilman valvontaa. Kytke virta pois päältä.** Älä jätä työkalua ennen kuin se on pysähtynyt kokonaan.
  - Säilytä toimettomana olevat konetyökalut pois lasten ulottuvilta, äläkä anna sellaisten henkilöiden käyttää konetyökalua, joilla ei ole kokemusta sen käytöstä.** Konetyökalut ovat vaarallisia kouluttamattomien käyttäjien käsissä.
  - Pidä konetyökalut kunnossa. Tarkasta liikkuvat osat poikkeamien ja takertumisen varalta ja tee tarkastus rikkinäisten osien varalta sekä mahdollisten muiden tilojen varalta, jotka saattavat vaikuttaa konetyökalun toimintaan. Jos vaurioita havaitaan, korjauta konetyökalu ennen käyttöä.** Huonokuntoiset konetyökalut ovat aiheuttaneet useita onnettomuuksia.
  - Pidä leikkaustyökalut terävinä ja puhtaina.** Asianmukaisesti huolletut leikkaustyökalut, joissa on teräviä leikkausteriä, takertelevat todennäköisesti vähemmän ja niitä on helpompi hallita.
  - Noudata leikkaustyökalulle tai lisävarusteelle ja työstettävälle materiaalille suositeltua nopeutta.**
  - Käytä ainoastaan valmistajan suosittelemia osia ja lisävarusteita.** Katso suositellut lisävarusteet omistajan käsikirjasta. Epäsopivien lisävarusteiden käytöstä voi aiheutua henkilövahinkoja.
  - Käytä konetyökalua, lisävarusteita ja työkalun vaihtoteriä näiden ohjeiden mukaisesti ja konetyökalun tyyppille tarkoitetulla tavalla, ja ota käytössä huomioon työskentelyolosuhteet ja suoritettava työ.** Konetyökalun käyttäminen muihin tarkoituksiin, kuin mihin se on tarkoitettu, voi johtaa vaaratilanteeseen.
- 5) Huolto**
- Anna pätevän korjaajan huoltaa konetyökalu käyttämällä vain identtisiä vaihto-osia.** Näin varmistetaan, että konetyökalun turvallisuus pysyy ennallaan.

## 6) Kregin siirrettävää työpenkkiä koskevat turvallisuusohjeet

- Levitä pöytälevyt tarttumalla pöytälevyjen ulkokuolmiin molemmin käsin ja vetämällä ylös. Varmista, että kannattimet ovat täysin kytkettyneet.**
- Taita pöytälevyt tarttumalla molemmin käsin kannattimen irrotuskielekkeisiin.** Vedä kielekkeet ylös ja työnnä pöytälevy alas. Pidä kädet pois kohdista, joissa puristuminen on mahdollista.
- Työskentele aina kuivalla ja tasaisella alustalla.**
- Kun käytät konetyökaluja siirrettävän työpenkin kanssa, noudata työkalun valmistajan turvallisuusohjeita.**
- Kaatumisen estämiseksi työpenkillä käytettävät työkalut tulee aina asentaa keskitetysti puristimen kiskoväylälle.**
- Käytettäessä kahta siirrettävää työpenkkiä alustatilassa, on suositeltavaa käyttää yhtä tai kahta 2x4 poikittaistukea lisävahvuuden saamiseksi.**
- Siirrettävää työpenkkiä ei ole tarkoitettu ulkokäyttöön kosteissa olosuhteissa.**
- Säilytä siirrettävä työpenkki aina sisällä tai säältä suojatussa tilassa.**
- Älä istu tai seiso siirrettävällä työpenkillä tai käytä siirrettävää työpenkkiä rakennustelineenä tai mihinkään tarkoitukseen, jota ei mainita tässä käsikirjassa.**
- Älä astu hyllylle.**
- Älä ripusta siirrettävään työpenkkiin esineitä muuten kuin tässä käsikirjassa esitetyn mukaisesti.**



# Yleisiä turvallisuusohjeita

## Ohjeet jatkojohdon käyttöön

Jatkojohtoja tulee käyttää vain tilapäisiin tarkoituksiin. Ne eivät korvaa pistorasioiden asentamisen ja asianmukaisen johdotuksen tarvetta, kun sellainen on välttämätön.

## Myyvälässä ja rakennustyömailla:

1. Käytettävien jatkojohtojen tulee aina olla laitteen maadoitusjohtimella varustettuja.
2. Jatkojohdot on suojattava vaurioilta, eikä niitä saa sijoittaa ovien tai ikkunoiden aukkoihin, sillä ovet ja ikkunat voivat sulkeutuessaan vaurioittaa johtoa.
3. Jatkojohtojen on oltava vähintään 16 AWG:tä ja niiden on oltava luokitukseltaan käytettävälle laitteelle sopivia.
4. Jatkojohdot tulee tarkastaa määräajoin sen varmistamiseksi, etteivät eristys ja johtojen sähköjohtavuus ole huonontuneet.
5. Jatkojohdot eivät saa kulkea veden läpi tai olla liitettyinä niin, että ne voivat altistua vesikertymille.

## TAULUKKO 1

Nimilaatta Ampeeria @120 V	Jatkojohdon pituus					
	25'	50'	75'	100'	150'	200'
	Suositeltu johdinpaksuusstandardi					
0-5	16	16	16	14	12	12
5.1-8	16	16	14	12	10	ES
8.1-12	14	14	12	10	ES	ES
12.1-16	12	12	ES	ES	ES	ES

ES – Ei suositella

## SÄHKÖISKUN VAARA

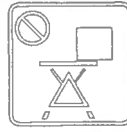
Tuotteet metalliosat johtavat sähköä. Vältä olosuhteita, jotka aiheuttavat sähkökontaktia. Huonosti maadoitetut konetyökälyt muodostavat sähköiskun vaaran, mikä voi johtaa vakavaan ruumiinvammaan tai hengenmenetykseen erityisesti silloin, kun niitä käytetään kosteissa tiloissa, putkistojen ja muiden maadoitettujen pintojen läheisyydessä tai ulkona.

**VAROITUS** Hiomisesta, sahaamisesta, jauhamisesta, poraamisesta ja muista rakentamistoimista aiheutuva pöly voi sisältää kemikaaleja, jotka katsotaan Kalifornian osavaltiossa syöpää ja synnynnäisiä epämuodostumia tai muuta lisääntymishaittaa aiheuttaviksi aineiksi. Tällaisia kemikaaleja ovat esimerkiksi seuraavat:

- a) Lyijypohjaisten maalien lyijy
- b) Tiilien ja sementin ja muiden kiviäytötuotteiden sisältämä kiteinen piiksid
- c) Kemiallisesti käsitellyn puutavaran sisältämä arsenikki ja kromi

Näille kemikaaleille altistumisesta johtuva riski määräytyy sen mukaan, miten usein teet tämän tyyppistä työtä. Voit vähentää altistumista työskentelemällä hyvin tuuletetussa tilassa, joka on varustettu hyväksytyillä turvalaitteilla, kuten pölynaamarilla, joka on erityisesti suunniteltu mikroskooppisten hiukkasten suodattamiseen.

## Siirrettävään työpenkkiin merkittyjen turvallisuussymbolien selitykset



Älä käytä epätasaista kuormitusta.



Älä seiso siirrettävän työpenkin päällä.



Älä istu siirrettävän työpenkin päällä.



Älä seiso hyllyllä.



Käytä aina silmäsuojuksia.



Enimmäiskuorma molemmat pöytälevyt levitettynä on 158 kg (350 naulaa) tasaisesti jakautuneena ja kummallakin pöytätasolla 45 kg (100 naulaa) tasaisesti jakautuneena.



Enimmäiskuorma, kaksi siirrettävää työpenkkiä, pöytälevyt alhaalla: 997 kg (2 200 naulaa).



Hylly enimmäiskuorma: 11 kg (25 naulaa).

## Siirrettävän työpenkin rajoitettu takuu

Kreg Tool Company takaa vain alkuperäiselle ostajalle, että Kregin siirrettävä työpenkki on materiaali- ja valmistusvirheetön kolmen (3) vuoden ajan ostopäivästä. Kreg Tool Company oman valintansa mukaan korjaa tai vaihtaa tuotteen (tai sen aineosan), joka osoittautuu virheelliseksi edellä mainittuna takuuajana. Takuu koskee vain sellaisia tuotteita, joita käytetään Kreg Tool Companyn toimittamissa luetteloissa, käyttöoppaissa ja/tai käyttöohjeissa esitettyjen ohjeiden mukaisesti.

Takuu tulee voimaan vain, jos alkuperäinen ostaja suorittaa tuotteen online-rekisteröinnin täydellisesti ja asianmukaisesti loppuun ([www.kregtool.com](http://www.kregtool.com)) tai soittaa Kreg Tool Companyn asiakaspalveluun (1-800-447-8638).

Takuu on mitätön, jos tuotetta on (1) käytetty väärin tai se on varastoitu ohjeiden vastaisesti, (2) tuote on onnettomuuden, laiminlyönnin, vaurion tai muiden Kreg Tool Companyn valvonnan ulkopuolelle jäävien olosuhteiden kohteena, (3) tuotetta muunnellaan, puretaan, peukaloidaan, muutetaan tai korjataan ilman Kreg Tool Companyn lupaa ja (4) muille kuin alkuperäisille ostajille. Takuu ei kata normaalia kulumista, korroosiota tai korjauksia, jotka ovat tarpeen luonnollisten syiden tai ylivoimaisten esteiden johdosta.

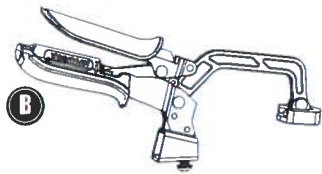
Tämä on Kreg Tool Companyn ainoa takuu. Kaikki mahdolliset lakisääteiset takuut, mukaan lukien takuut myyntikelpoisuudesta tai kelpoisuudesta tiettyyn tarkoitukseen, rajoitetaan täten tämän takuun kestoajaksi. Kreg Tool Company ei vastaa menetyksistä, vahingoista tai kuluista, jotka liittyvät suoraan tai epäsuorasti sen tuotteiden käyttöön tai jotka aiheutuvat muusta syystä, eikä välillisistä vahingoista (mukaan lukien muun muassa ajanhukka, haitta ja tuotannon menetys). Tässä esitettyä takuuta ei saa muunnella eikä Kreg Tool Company anna tai sen puolesta anneta mitään muita ilmaistuja tai konkludenttisia takuita.

Seuraavat arkistoitavat tiedot ovat hyödyllisiä, jos takuuvaade on tarpeen. Liitä kopio ostotodistuksesta täydellistä arkistoasiakirjaa varten.

Ostopäivämäärä \_\_\_/\_\_\_/\_\_\_

Myyjä: \_\_\_\_\_

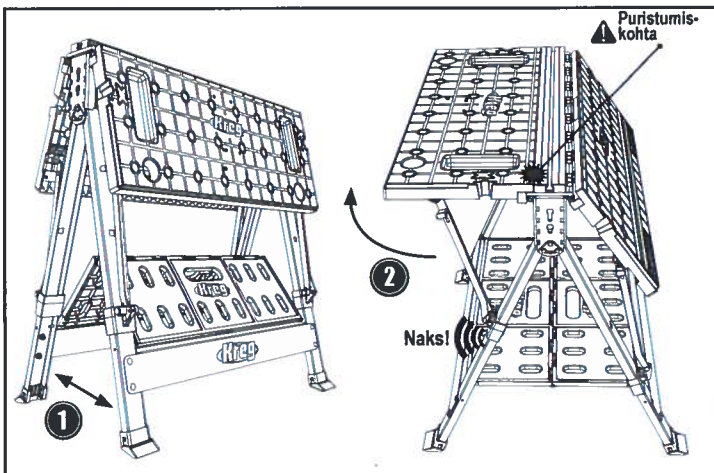
# OSAT



## Mukana tulevat tavarat:

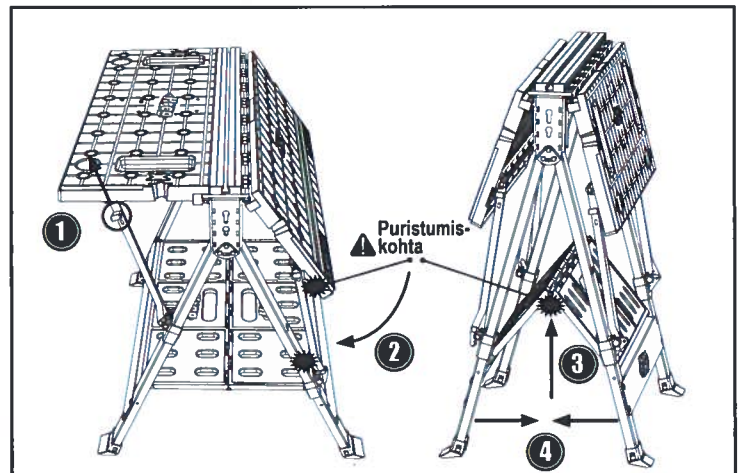
- (A) Siirrettävä työpenkki
- (B) 3" penkkikiristin ja Automaxx®
- (C) Tukikiinnikkeet (2)
- (D) Kreg® penkkirajoittimet (4)
- (E) Trak-laakerit (2) ja -ruuvit (2)
- (F) Liitäntäkiilat (2)

## ASENNUS



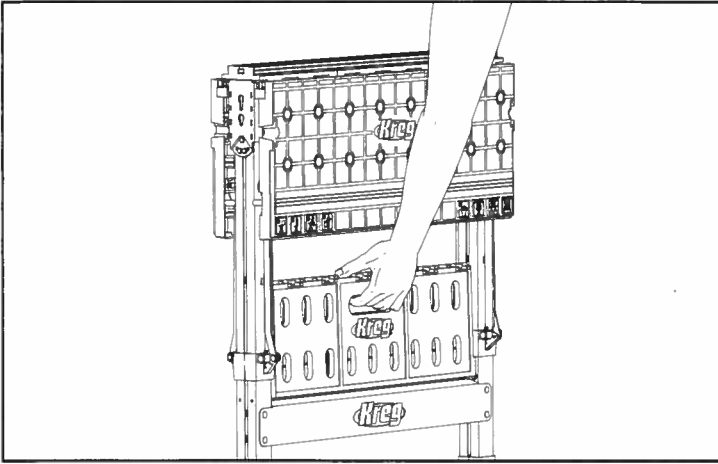
- (1) Levitä jalat.
- (2) Nosta pöytälevyt. Varmista, että kaikki kannatinlukot lukkiutuvat.

## SÄILYTYS



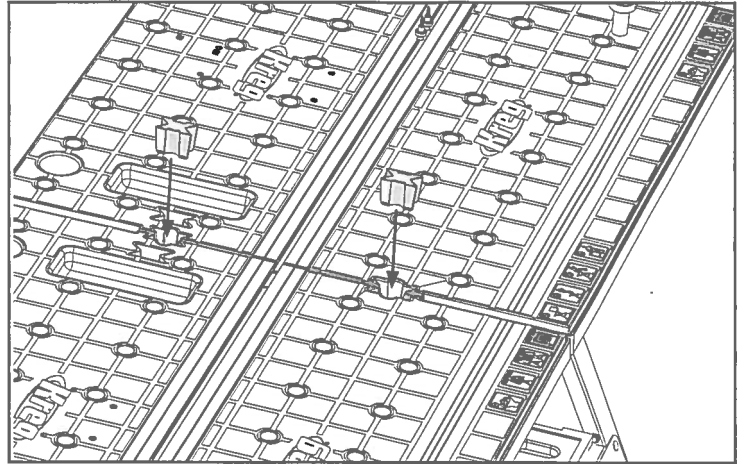
- (1) Avaa kannatinlukot nostamalla kielekkeitä. (2) Laske pöytälevyt.
- (3) Nosta hylly. (4) Sulje jalat.

## KANTAMINEN



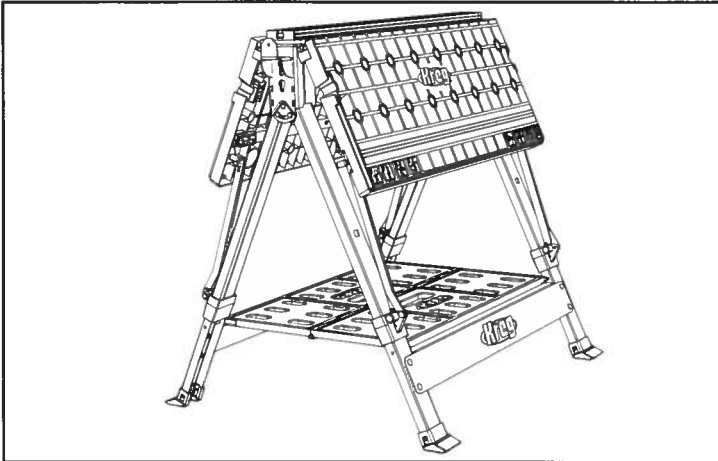
Kanna aina pitämällä kiinni hyllyn käsiaukoista, jottei tuote avaudu vahingossa.

## YHDISTÄMINEN



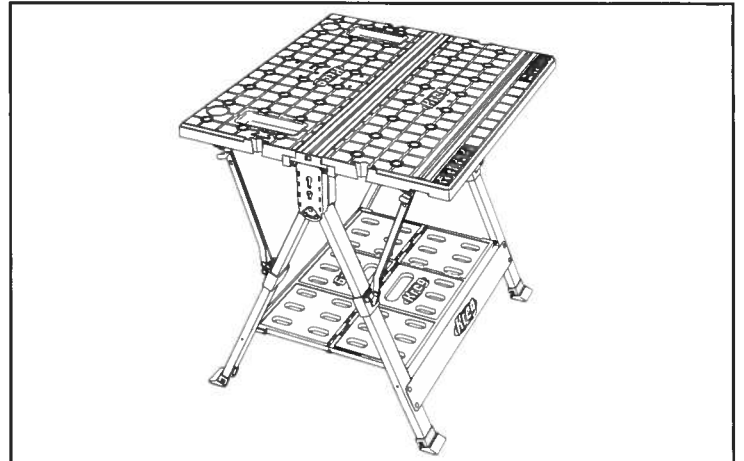
Kaksi siirrettävää työpenkkiä kiinnitetään liitäntäkiiloilla.

## SAHAPUKKI



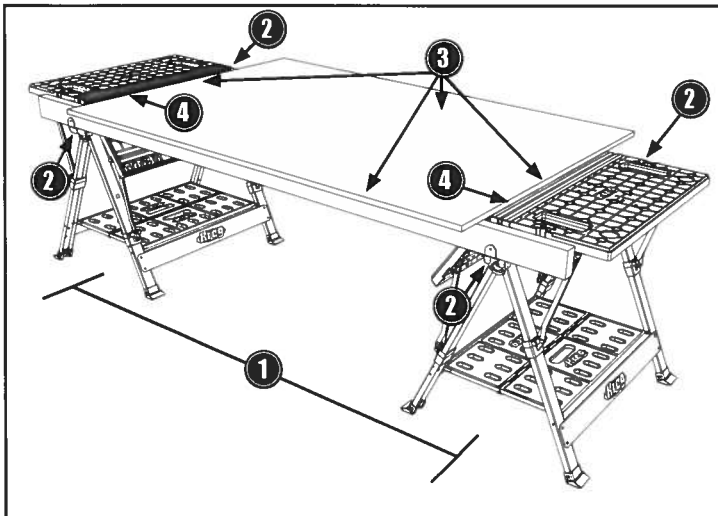
Jalat levitettynä, pöytälevyt alhaalla

## TAULUKKO



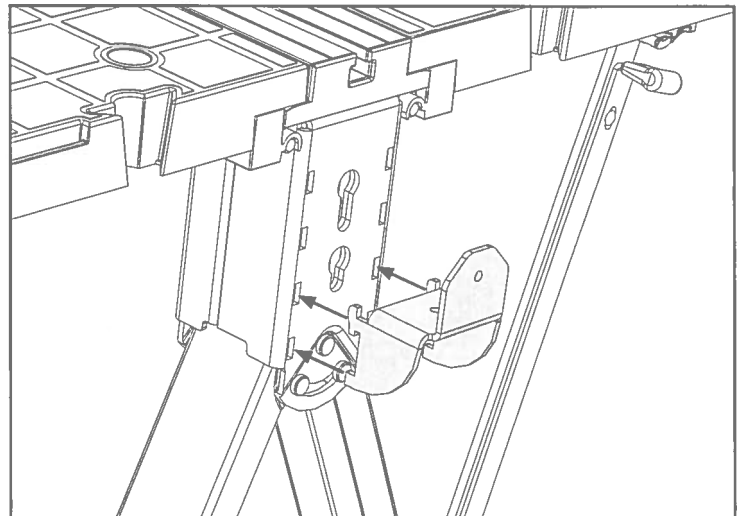
Jalat levitettynä, pöytälevyt ylhäällä

## LAAJENNETTU PÖYTÄASENNUS



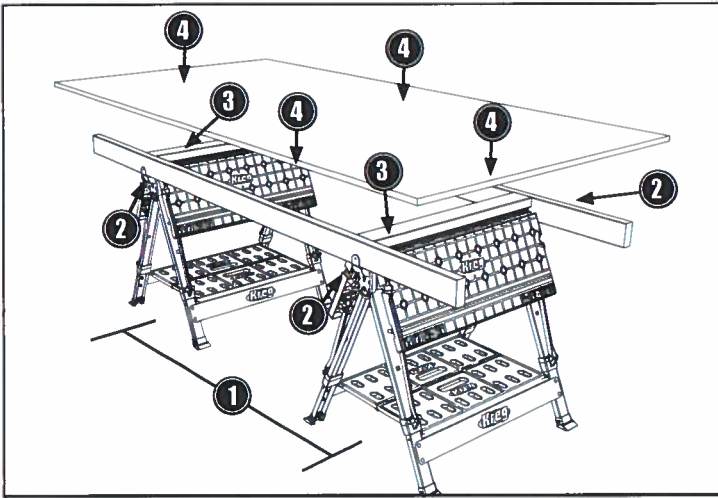
- (1) Kaksi siirrettävää työpenkkiä sijoitetaan enintään 2,10 metrin (7 jalan) etäisyydelle toisistaan.
- (2) Tukikiinnikkeet alemmassa sijainnissa, yksi 2x4 kussakin kiinnikeparissa.
- (3) 3/4" vanerilevy asetetaan 2x4 lautojen ja molempien taitettujen pöytälevyjen reunojen päälle.
- (4) Vanerilevyn reunat asetetaan tiiviisti molempia puristinkiskoja vasten.
- (5) Jaa paino tasaisesti.

## KIINNIKKEEN SIJAINTI: LAAJENNETTU PÖYTÄ



Asenna tukikiinnikkeet alempiin aukkoihin.

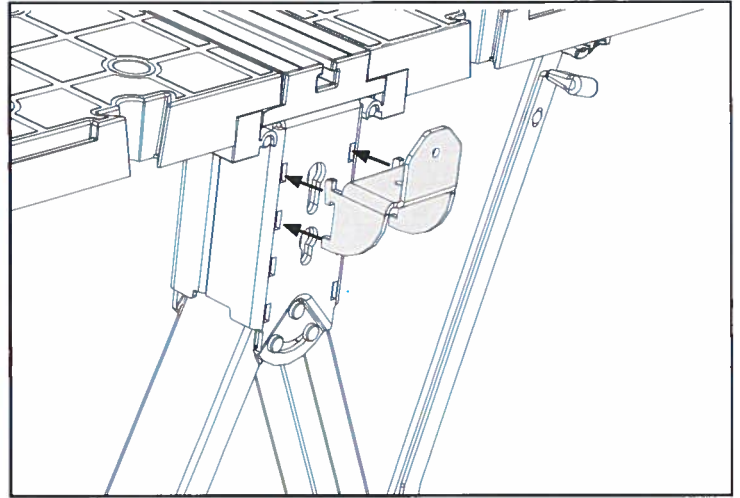
## LEIKKAUSASENNUS



- (1) Kaksi siirrettävää työpenkkiä sijoitetaan enintään 2,10 metrin (7 jalan) etäisyydelle toisistaan.
- (2) Tukikiinnikkeet ylemmässä sijainnissa, yksi 2x4 kussakin kiinnikeparissa.
- (3) Kumpaankin siirrettävään työpenkkiin on asennettu 2x4 suojalauta. (Katso 2X4 SUOJALAUDAN ASENTAMINEN.)
- (4) 3/4" vanerilevy asetetaan 2x4 lautojen ja 2x4 suojalautojen päälle
- (5) Jaa paino tasaisesti.

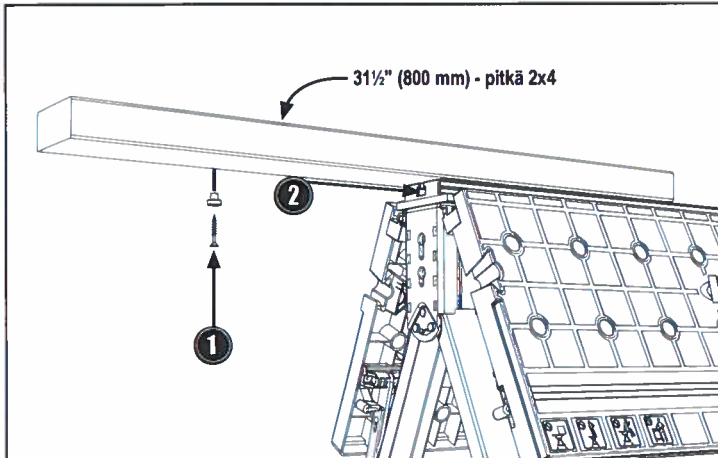
⚠ **VAROITUS** Enimmäiskuorma 998 kg (2 200 naulaa)

## KIINNIKKEEN SIJAINTI: LEIKKAUSASENNUS



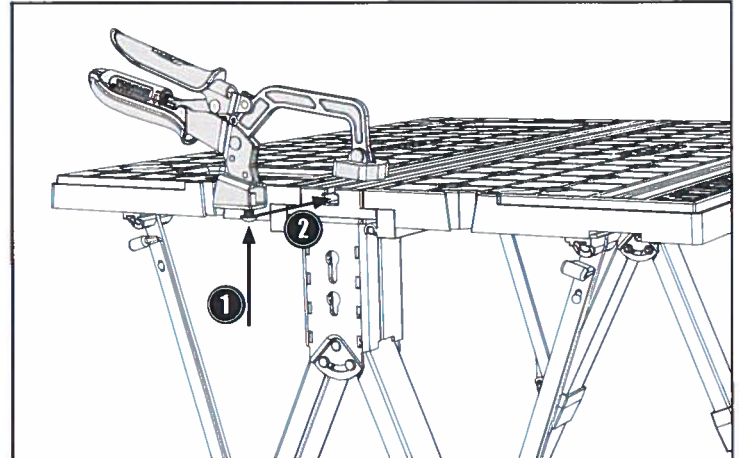
Asenna tukikiinnikkeet ylempiin aukkoihin.

## 2X4 SUOJALAUDAN ASENTAMINEN



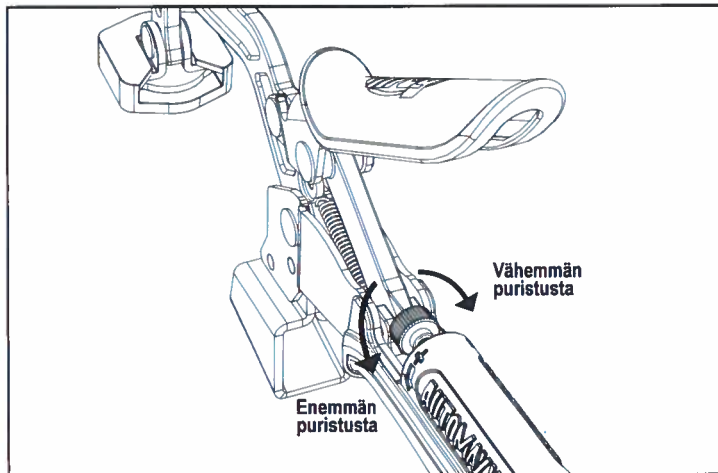
- (1) Kiinnitä Trak-laakerit 2x4 lautoihin ja (2) liu'uta ne T-aukkoon.

## PENKKIPURISTIMEN ASENTAMINEN



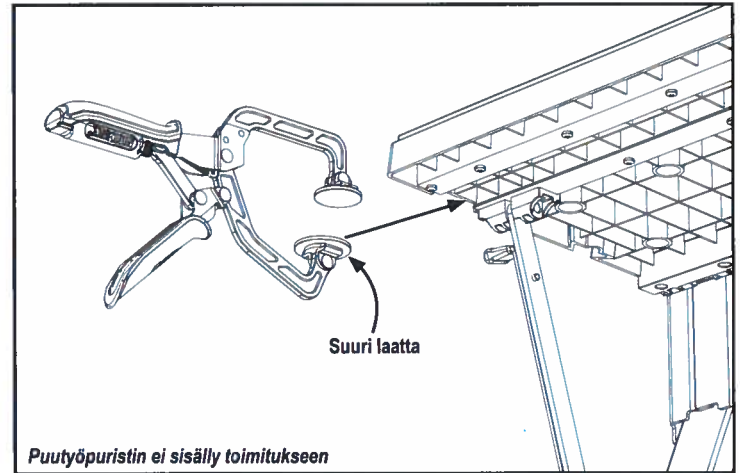
- (1) Säädä puristimen ankkurointiruuvia ja (2) liu'uta se T-aukkoon.

## PENKKIPURISTIMEN PURISTUKSEN SÄÄTÄMINEN



Vähemmän puristusta  
Enemmän puristusta

## KREG-PUUTYÖPURISTIMEN KÄYTTÄMINEN

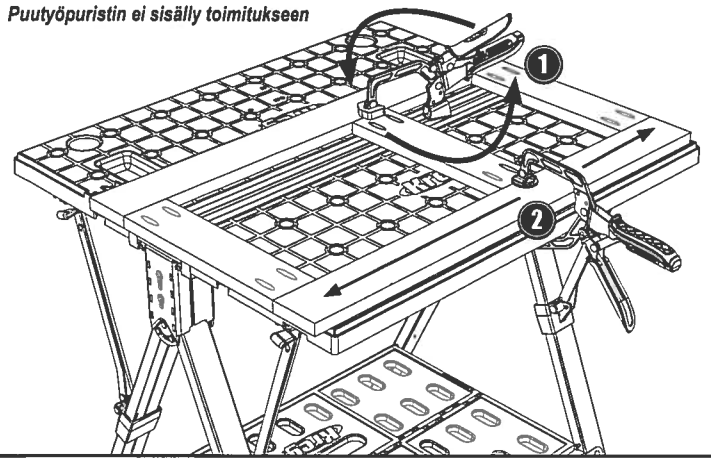


Puutyöpuristin ei sisälly toimitukseen

Liu'uta suuri laatta T-aukkoon.

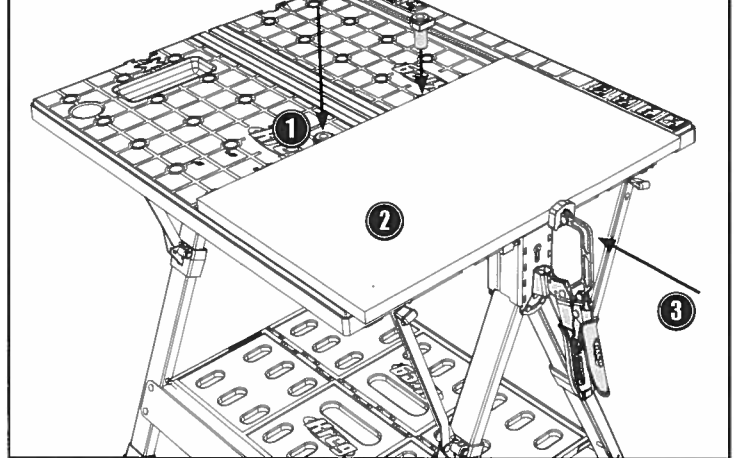
## PÖYTÄLEVYN PURISTIMET

Puutyöpuristin ei sisälly toimitukseen



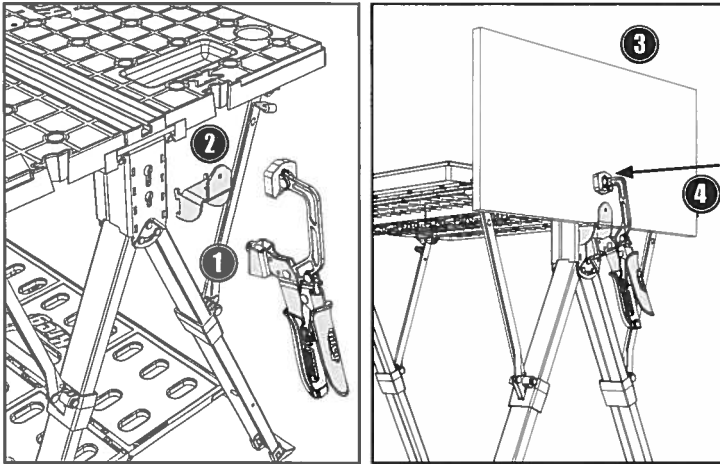
(1) Penkkipuristin pyörii 360°. (2) Liu'uta puutyöpuristin (valinnainen lisävaruste) mihin tahansa kohtaan reunassa.

## PURISTAMINEN PENKKIRAJOITTIMIEN KANSSA



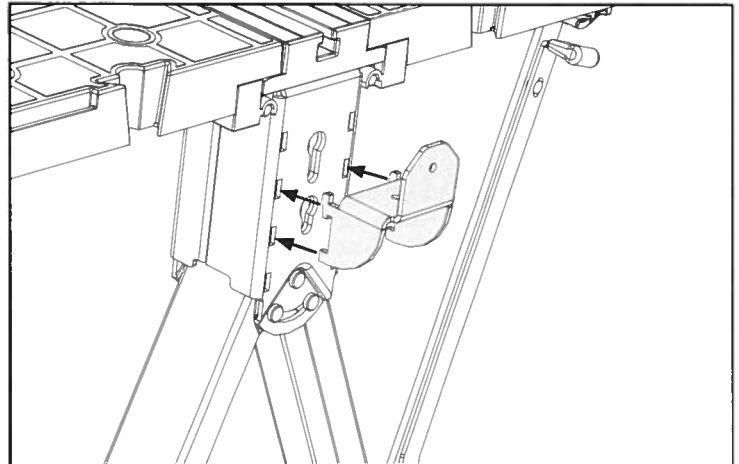
(1) Aseta penkkirajoittimet reikiin, (2) asetele työkappale ja (3) puristin.

## RUUVIPENKKIPURISTIN



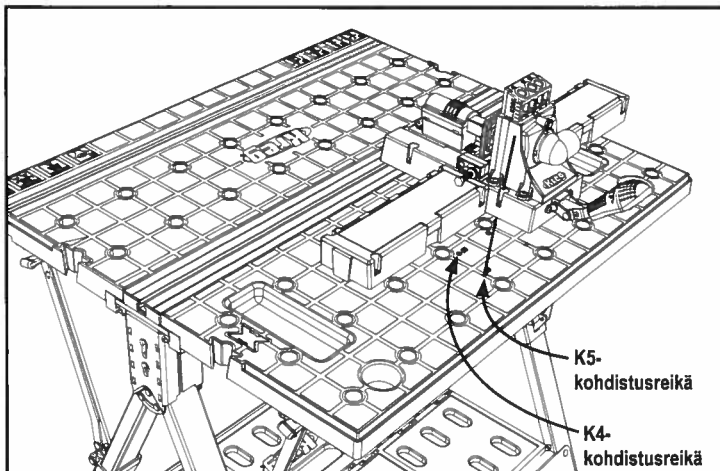
(1) Asenna penkkipuristin alempaan sovitusaukkoon.  
(2) Asenna tukikiinnike keskimmäisiin aukkoihin.  
(3) Aseta työkappale kiinnikkeeseen ja (4) puristimeen.

## KIINNIKKEEN SIJAINTI: RUUVIPENKKIPURISTIN



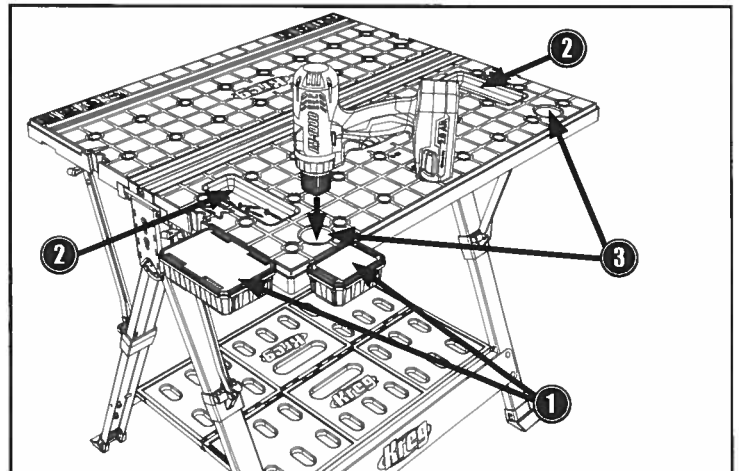
Asenna tukikiinnike keskimmäisiin aukkoihin.

## KREG JIG® -TYÖKALUN ASENTAMINEN



Kohdista jiki joko K4:ää tai K5:tä vastaaviin reikiin.

## LISÄOMINAISUUDET



(1) Ripusta Kreg-ruuvisäiliöt pöytälevyjen reunoille.

**! HUOMIO** Ripusta vain Kregin 100 kappaleen ja 250 kappaleen ruuvisäiliöitä

(2) Säilytä laitteita syvennyksissä.

(3) Porakoteloissa pora/väännin on käden ulottuvilla.

# Istruzioni generali per la sicurezza

**!** **AVVERTENZA** Quando si utilizzano utensili elettrici con questo prodotto, attenersi sempre alle istruzioni del produttore degli utensili oltre ad adottare le precauzioni di sicurezza riportate di seguito per ridurre il rischio di incendi, scosse elettriche e lesioni personali. Leggete tutte le istruzioni attentamente prima di iniziare a utilizzare il prodotto. **CONSERVARE LE PRESENTI ISTRUZIONI.**

## 1) Sicurezza dell'area di lavoro

- Mantenere l'area di lavoro pulita e ben illuminata. Aree ingombre e scure favoriscono gli incidenti.
- Non utilizzare gli utensili elettrici in ambienti pericolosi. Non utilizzare gli utensili elettrici in ambienti umidi o bagnati né esporli alla pioggia.
- Non utilizzare gli utensili elettrici in atmosfere esplosive, ad esempio in presenza di liquidi infiammabili, gas o polveri. Gli utensili elettrici generano scintille che possono incendiare fumi o polveri.
- Tenere lontani bambini e astanti mentre si utilizza un utensile elettrico. Le distrazioni possono causare la perdita di controllo.
- Rendere l'officina a prova di bambino, con lucchetti, interruttori generali o rimuovendo le chiavi di avviamento.

## 2) Sicurezza elettrica

- Collegare a terra gli utensili elettrici. Se l'utensile è dotato di una spina a tre poli, deve essere collegato solo ad una presa elettrica a tre fori messa a terra. Se la presa appropriata non è disponibile, richiedere a un tecnico qualificato di installarla. Non rimuovere il terzo polo né modificare in alcun modo la spina fornita.
- Non esporre gli utensili elettrici a pioggia o umidità. La penetrazione di acqua in un utensile elettrico aumenta il rischio di scosse elettriche.
- Non abusare del cavo. Non utilizzare il cavo per trasportare, tirare o scollegare l'utensile elettrico. Tenere il cavo lontano da fonti di calore, olio, bordi taglienti o parti in movimento. Cavi danneggiati o aggrovigliati aumentano il rischio di scosse elettriche.
- Utilizzare una prolunga adeguata e assicurarsi che sia in buone condizioni. Se si utilizza una prolunga, accertarsi che abbia una capacità sufficiente per la corrente consumata dall'utensile elettrico. Un prolunga di capacità inadeguata provoca una caduta della tensione di linea con conseguente perdita di potenza e surriscaldamento. Nella Tabella 1 è mostrato il calibro corretto del cavo da utilizzare a seconda della lunghezza del cavo e dell'ampereaggio riportato sulla targhetta dell'utensile. In caso di dubbio, utilizzare il successivo calibro più pesante. Minore è il numero di calibro, più pesante sarà il cavo.
- Quando si utilizzano utensili elettrici, evitare il contatto del corpo con superfici collegate a terra, come tubazioni, radiatori, fornelli da cucina e frigoriferi. Il contatto con una superficie messa a terra aumenta il rischio di scosse elettriche.

## 3) Sicurezza personale

- Rimanere alerta, lavorare con prudenza e usare buon senso quando si utilizza un utensile elettrico. Non utilizzare utensili elettrici quando si è stanchi o sotto l'effetto di droghe, alcol o medicinali. Un attimo di distrazione durante l'uso di utensili elettrici può provocare gravi lesioni personali.
- Indossare sempre gli occhiali di protezione. Gli occhiali di sicurezza sono dotati di lenti, cornici e protezioni laterali appositamente costruite.
- Utilizzare apparecchiature di sicurezza. Indossare maschere facciali o antipolvere qualora l'operazione di taglio produca polvere. Apparecchiature di sicurezza, come ad esempio maschere antipolvere, scarpe di sicurezza antiscivolo, elmetti o protezioni acustiche utilizzate in condizioni appropriate, riducono le lesioni personali.
- Evitare l'avvio accidentale. Accertarsi che l'interruttore sia in posizione Off prima di inserire la spina. Il trasporto di utensili elettrici con il dito sull'interruttore o il collegamento di utensili elettrici con l'interruttore su On favorisce gli incidenti.
- Rimuovere qualsiasi strumento di regolazione o chiave prima di accendere l'utensile. Una chiave lasciata agganciata a una parte rotante dell'utensile elettrico può provocare lesioni personali.
- Non sporgersi troppo. Mantenere sempre una posizione sicura e l'equilibrio. Ciò assicura un migliore controllo dell'utensile elettrico in situazioni impreviste.
- Mettere in sicurezza i pezzi. Qualora risulti pratico, servirsi di morsetti o morse. Ciò risulta più sicuro di utilizzare la mano ed entrambe le mani sono libere per utilizzare l'utensile.
- Non salire mai sulla macchina. In caso di ribaltamento o di contatto accidentale con l'utensile da taglio potrebbero verificarsi infortuni gravi.
- Indossare l'abbigliamento appropriato. Non indossare indumenti ampi o gioielli. Tenere capelli, vestiti e guanti lontano da parti in movimento. Indumenti ampi, gioielli o capelli lunghi potrebbero rimanere impigliati nelle parti in movimento. Arrotolare le maniche lunghe fino al gomito. Indossare un copricapo protettivo che possa raccogliere i capelli lunghi.
- Se sono previsti dispositivi per il collegamento dell'apparecchiatura di aspirazione e raccolta della polvere, assicurarsi che siano collegati e utilizzati correttamente. L'utilizzo di questi dispositivi consente di ridurre i rischi correlati alla polvere.

## 4) Uso e manutenzione dell'utensile elettrico

- Mantenere le protezioni in posizione e in buone condizioni di funzionamento.
- Non forzare l'utensile elettrico. Utilizzare l'utensile elettrico corretto per l'applicazione. L'utensile elettrico corretto porterà a termine il lavoro in modo migliore e più sicuro alla velocità per cui è stato progettato.
- Utilizzare gli utensili corretti. Non forzare un utensile o un accessorio per eseguire un lavoro per il quale non è stato progettato.
- Non utilizzare l'utensile elettrico se non è possibile accenderlo e spegnerlo con l'interruttore. Qualsiasi utensile elettrico non controllabile tramite l'interruttore è pericoloso e deve essere riparato.
- Scollegare la spina dalla presa di corrente e/o la batteria dall'utensile elettrico prima di effettuare qualsiasi regolazione, sostituire gli accessori o riporre gli utensili elettrici. Queste misure di sicurezza preventive riducono il rischio di avvio accidentale dell'utensile elettrico.
- Non lasciare mai un utensile in funzione incustodito. Spegnerlo l'utensile. Non lasciare l'utensile finché non si arresta completamente.
- Tenere gli utensili non in uso fuori dalla portata dei bambini e non consentire a persone che non hanno familiarità con l'utensile elettrico e le presenti istruzioni di utilizzarlo. Gli utensili elettrici sono pericolosi nelle mani di utilizzatori inesperti.
- Eseguire la manutenzione degli utensili elettrici. Verificare che le parti in movimento non siano disallineate o grippate e che non vi siano parti rotte e qualsiasi altra condizione che può influire sul funzionamento dell'utensile elettrico. Se l'utensile elettrico è danneggiato, farlo riparare prima dell'uso. Molti incidenti sono causati dalla scarsa manutenzione degli utensili elettrici.
- Mantenere gli utensili da taglio affilati e puliti. Gli utensili da taglio sottoposti a corretta manutenzione con bordi affilati sono meno soggetti a grippaggio e risultano più facili da controllare.
- Utilizzare la velocità raccomandata per l'utensile di taglio o l'accessorio e il materiale lavorato.
- Utilizzare soltanto le parti e gli accessori consigliati dal produttore. Consultare il manuale di istruzioni per quanto riguarda gli accessori consigliati. L'utilizzo di accessori inadeguati può causare lesioni personali.
- Utilizzare l'utensile elettrico, gli accessori e le punte da taglio in conformità a queste istruzioni e nel modo previsto per il tipo specifico di utensile elettrico, tenendo presenti le condizioni di lavoro e il lavoro da eseguire. L'utilizzo dell'utensile elettrico per operazioni diverse da quelle previste può dar luogo a situazioni di pericolo.

## 5) Manutenzione

- La manutenzione dell'utensile elettrico deve essere eseguita da un tecnico qualificato utilizzando esclusivamente pezzi di ricambio originali. Ciò assicura che la sicurezza dell'utensile venga mantenuta.

## 6) Istruzioni di sicurezza specifiche per Kreg Mobile Project Center

- Quando si collocano in posizione i ripiani del tavolo, afferrarli con entrambe le mani dagli angoli esterni e tirare verso l'alto. Assicurarsi che i sostegni siano completamente inseriti.
- Quando si ripiegano i ripiani del tavolo, afferrare le linguette di rilascio dei sostegni con entrambe le mani. Tirare le linguette verso l'alto e spingere il ripiano del tavolo verso il basso. Tenere le mani lontane da potenziali punti di schiacciamento.
- Lavorare sempre su una superficie piana e asciutta.
- Quando si utilizzano utensili elettrici con Mobile Project Center, attenersi alle istruzioni sulla sicurezza del produttore dell'utensile.
- Per evitare ribaltamenti, montare sempre gli utensili da banco centrati sul canale guida della morsa.
- Quando si utilizzano due Mobile Project Center in modalità griglia, si consiglia di utilizzare uno o due traverse 2x4 per una maggiore resistenza.
- Mobile Project Center non è destinato all'uso all'aperto in condizioni di umidità.
- Riporre sempre Mobile Project Center all'interno o in un'area al riparo da agenti atmosferici.
- Non sedersi o salire su Mobile Project Center né utilizzare Mobile Project Center come impalcatura o per qualsiasi altro scopo non indicato nel presente manuale.
- Non salire sulla mensola.
- Non appendere oggetti su Mobile Project Center, eccetto nei casi indicati in questo manuale.

# Istruzioni generali per la sicurezza

## Linee guida per l'utilizzo della prolunga

L'utilizzo delle prolunghe deve essere temporaneo. Non eliminano la necessità di installare prese e cablaggio corretto, se necessario.

### In officina e nei siti di costruzione:

1. Utilizzare sempre le prolunghe con un conduttore di messa a terra.
2. Le prolunghe devono essere protette da eventuali danni e non essere fatte passare attraverso porte o finestre che possono chiudersi, danneggiando il cavo.
3. Le prolunghe devono essere di minimo 16 AWG con tarate per l'apparecchiatura in uso.
4. Le prolunghe devono essere ispezionate periodicamente per assicurarsi che l'isolamento e la conducibilità dei fili non siano compromessi.
5. Le prolunghe non devono essere fatte passare nell'acqua o avere connessioni che possono essere esposte all'acqua accumulata.

TABELLA 1

Amperaggio riportato sulla targhetta a 120 V	Lunghezza prolunga					
	25'	50'	75'	100'	150'	200'
	Calibro dei cavi consigliato					
0 - 5	16	16	16	14	12	12
5,1 - 8	16	16	14	12	10	NR
8,1 - 12	14	14	12	10	NR	NR
12,1 - 16	12	12	NR	NR	NR	NR

NR - Non raccomandato

### PERICOLO DI SCOSSE ELETTRICHE

Le parti metalliche di questo prodotto conducono elettricità. Evitare qualsiasi condizione che causa un contatto elettrico. Gli utensili elettrici non messa a terra non corretta rappresentano un pericolo di scosse elettriche che possono provocare gravi lesioni personali o il decesso, specialmente se utilizzati in un luogo umido, in prossimità di tubature e altre superfici collegate a terra o all'aperto.

**! AVVERTENZA** La polvere generata da carteggio, smerigliatura, molatura, foratura e altre attività di costruzione può contenere sostanze chimiche riconosciute nello Stato della California come causa di cancro, malformazioni congenite o danni agli organi riproduttivi. Di seguito sono riportati alcuni esempi di tali sostanze chimiche:

- a) Piombo da vernici a base di piombo
- b) Silice cristallina da mattoni, cemento e altri prodotti per i lavori di muratura
- c) Arsenico e cromo da legname trattato chimicamente

Il rischio da esposizione a queste sostanze chimiche dipende dalla frequenza con cui si esegue questo tipo di lavoro. Per ridurre l'esposizione, lavorare in una zona ben ventilata con attrezzature di sicurezza approvate, come ad esempio una maschera antipolvere specificamente progettata per filtrare le particelle microscopiche.

## Spiegazione dei simboli di sicurezza presenti su Mobile Project Center



Non applicare carichi non bilanciati.



Non salire su Mobile Project Center.



Non sedersi su Mobile Project Center.



Non salire sulla mensola.



Indossare occhiali protettivi.



Carico massima con entrambi i ripiani del tavolo aperti: 158 kg. distribuiti uniformemente; 45 kg. distribuiti uniformemente su una delle fiancate del tavolo



Carico massimo con due Mobile Project con ripiani del tavolo non aperti: 997 kg.



Carico massimo sulla mensola: 11 kg.

## Garanzia limitata di Kreg Mobile Project Center

Kreg Tool Company garantisce, esclusivamente all'acquirente originale, che Kreg Mobile Project Center sarà privo di difetti dei materiali e di lavorazione per un periodo di tre (3) anni dalla data di acquisto. Kreg Tool Company, a propria discrezione, riparerà o sostituirà eventuali prodotti (o parte di essi) che si rivelano difettosi durante questo periodo di garanzia. La presente garanzia si applica esclusivamente ai prodotti utilizzati conformemente alle istruzioni contenute in cataloghi, manuali e/o serie di istruzioni fornite da Kreg Tool Company.

La presente garanzia diventa effettiva solo se l'acquirente originale completa in modo integrale e adeguato la registrazione del prodotto online ([www.kregtool.com](http://www.kregtool.com)) oppure chiama il servizio di assistenza clienti di Kreg Tool Company (1-800-447-8638).

La presente garanzia perde ogni efficacia se il prodotto è stato oggetto di (1) utilizzo errato, abuso o immagazzinaggio inadeguato; (2) incidente, negligenza, danno o altre circostanze non imputabili a Kreg Tool Company; (3) modifiche, smontaggio, manomissione, alterazioni o riparazioni non autorizzati da Kreg Tool Company; e (4) per gli acquirenti non originali. La presente garanzia non trova applicazione in caso di normale usura, corrosione, abrasione o riparazioni necessarie per cause naturali o di forza maggiore.

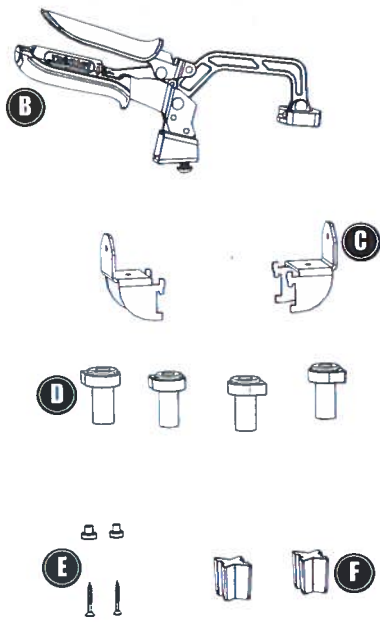
La presente è l'unica garanzia fornita da Kreg Tool Company. Qualunque altra garanzia che potrebbe essere prevista per legge, comprese le garanzie di commerciabilità o idoneità per un uno scopo specifico, sono limitate alla durata della presente garanzia. Kreg Tool Company non sarà responsabile per alcuna perdita, danno o spesa risultante direttamente o indirettamente dall'uso dei propri prodotti o da qualsiasi altra causa o per danni indiretti (inclusi, senza limitazione, perdite di tempo, disagi e perdita di produzione). La garanzia contenuta nel presente documento non può essere modificata e nessun'altra garanzia, espressa o implicita, viene rilasciata da, e per conto di, Kreg Tool Company.

Le seguenti informazioni saranno utili per riferimento futuro nel caso in cui venga presentato un reclamo in garanzia. Per completezza di riferimenti, allegare la copia della prova di acquisto.

Data di acquisto \_\_\_/\_\_\_/\_\_\_

Acquistato da: \_\_\_\_\_

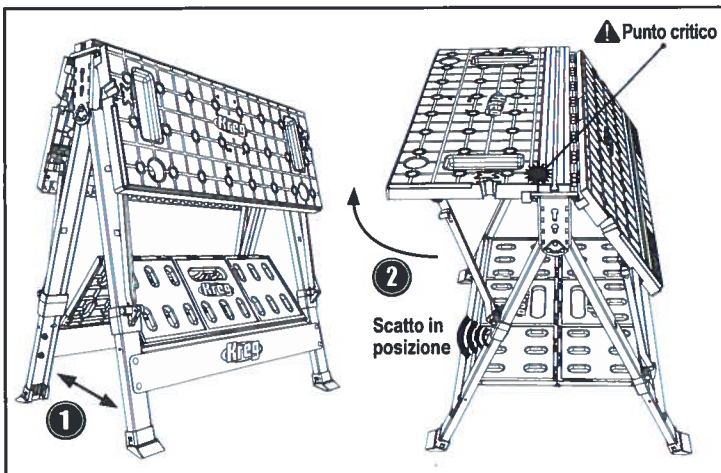
# PARTI



## Articoli inclusi:

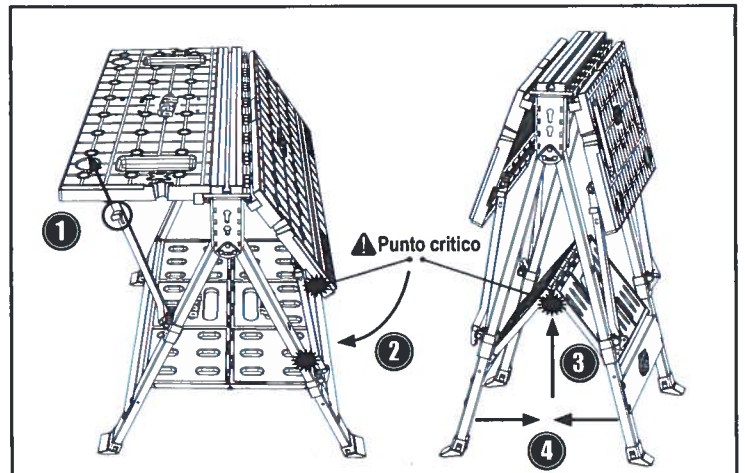
- (A) Mobile Project Center
- (B) Morsa da banco da 3" con Autamax®
- (C) Staffe di supporto (2)
- (D) Morse da banco Kreg® (4)
- (E) Boccole (2) e viti (2)
- (F) Chiavi di collegamento (2)

## CONFIGURAZIONE



- (1) Divaricare le gambe.
- (2) Sollevare i ripiani del tavolo. Assicurarsi che tutti i blocchi dei bracci siano inseriti.

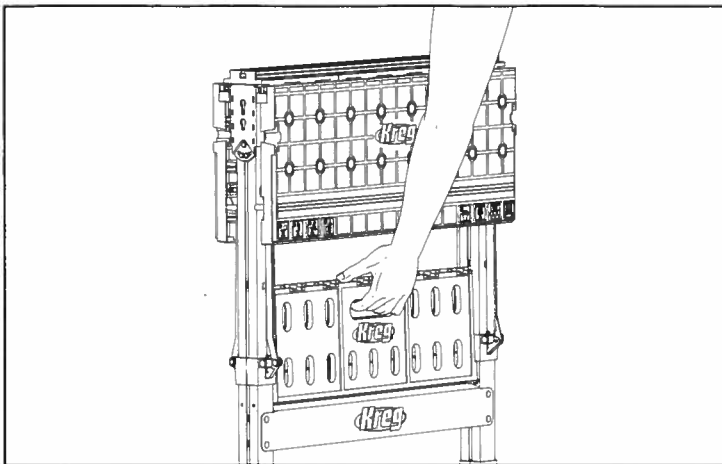
## IMMAGAZZINAGGIO



- (1) Sollevare le linguette per sbloccare i blocchi dei bracci. (2) Abbassare i ripiani del tavolo. (3) Sollevare la mensola. (4) Chiudere le gambe.

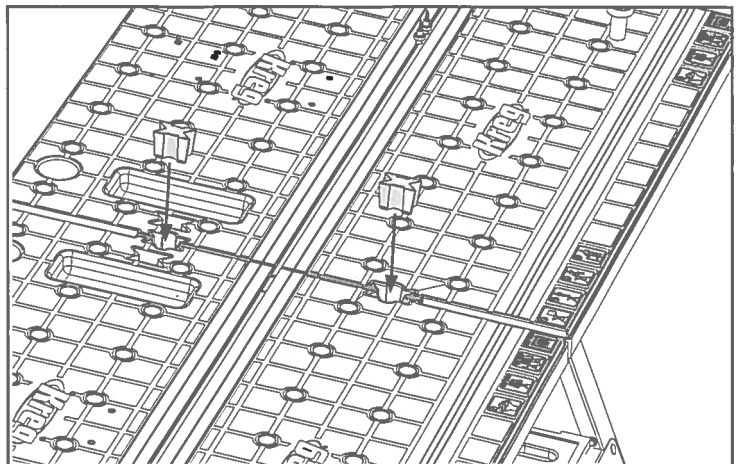


## TRASPORTO



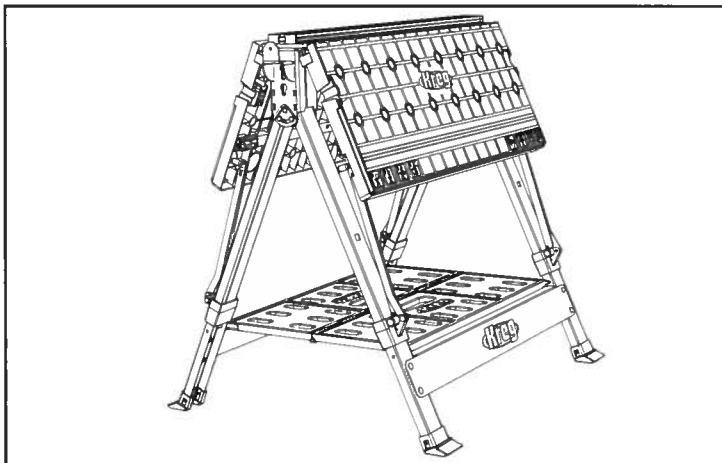
Per evitare l'apertura accidentale, trasportare sempre afferrando i fori della mensola.

## COLLEGAMENTO



Le chiavi di collegamento fissano due Mobile Project Centers.

## CAVALLETTO



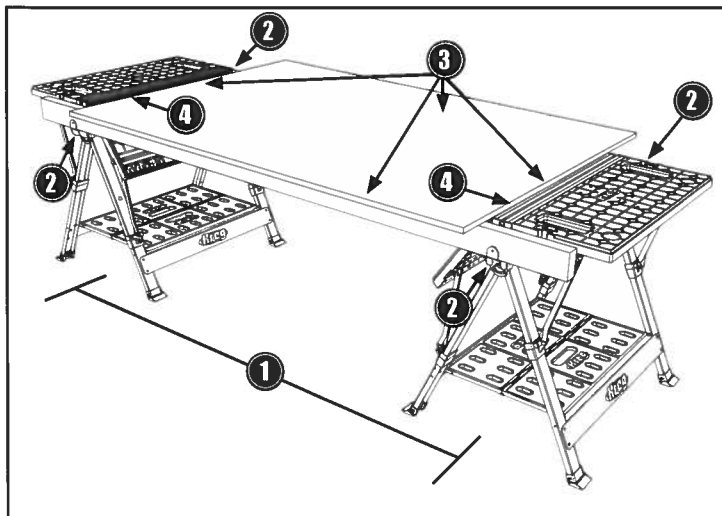
Gambe divaricate, ripiani in basso

## TAVOLO



Gambe divaricate, ripiani in alto

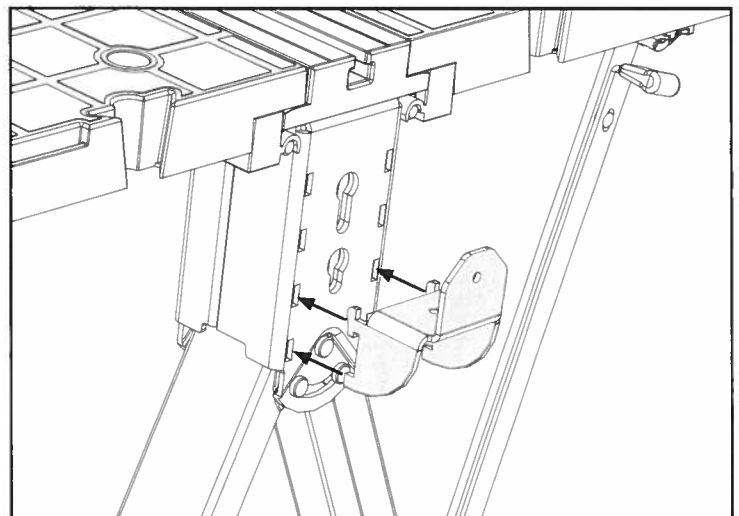
## CONFIGURAZIONE TAVOLO ESTESO



- (1) Due Mobile Project Center posizionati a massimo 2 metri di distanza.
- (2) Staffe di supporto in posizione abbassate, una 2x4 in ciascuna coppia di staffe.
- (3) Appoggi in compensato da 3/4" su 2x4 e bordi di entrambi i ripiani del tavolo piegati.
- (4) Bordi in compensato posizionati fermamente contro entrambe le guide della morsa.
- (5) Distribuire il peso uniformemente.

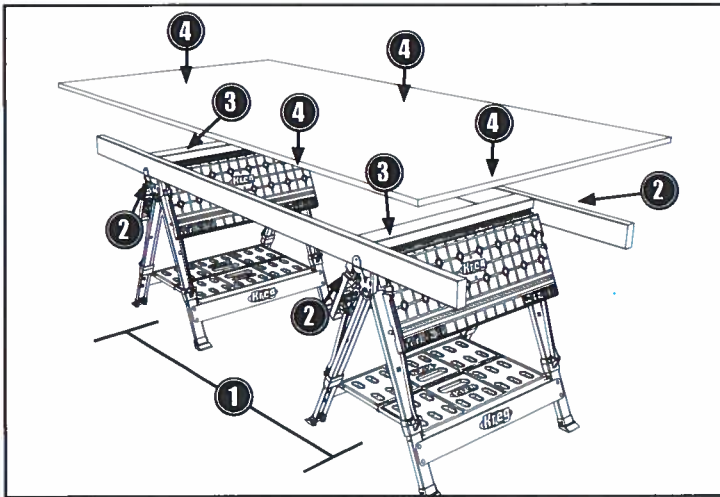
**AVVERTENZA** Carico massimo di 998 kg.

## POSIZIONE STAFFE: TAVOLO ESTESO



Montare le staffe di supporto nelle fessure inferiori.

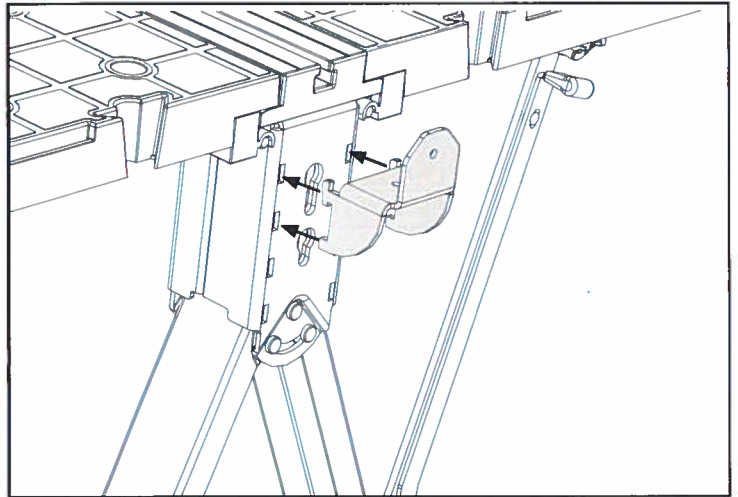
## CONFIGURAZIONE DI TAGLIO



- (1) Due Mobile Project Center posizionati a massimo 2 metri di distanza.
- (2) Staffe di supporto in posizione alzate, una 2x4 in ciascuna coppia di staffe.
- (3) 2x4 sacrificabile installato su ogni Mobile Project Center. (Vedere MONTAGGIO DI UN 2X4 SACRIFICALE).
- (4) Appoggi in compensato da 3/4" su 2x4 e 2x4 sacrificali.
- (5) Distribuire il peso uniformemente.

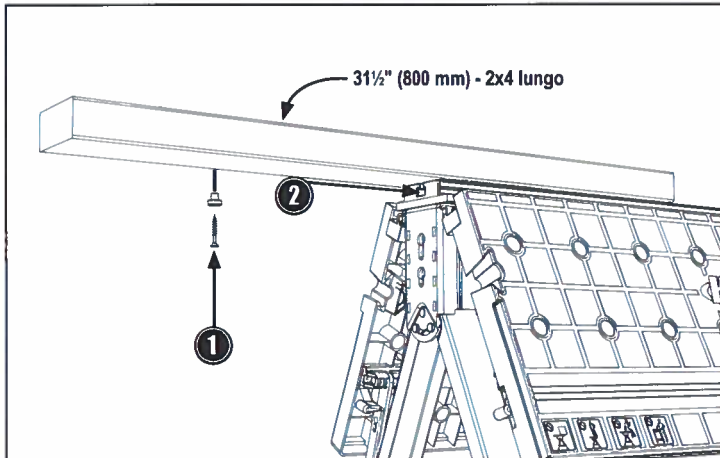
⚠ **AVVERTENZA** Carico massimo di 998 kg.

## POSIZIONE STAFFE: CONFIGURAZIONE DI TAGLIO



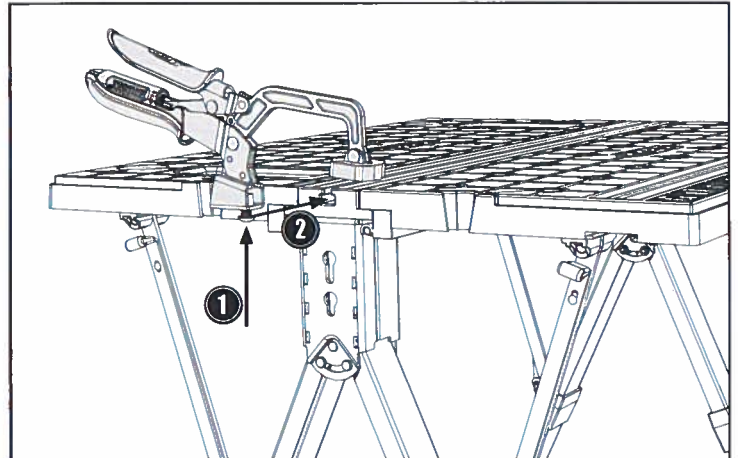
Montare le staffe di supporto nelle fessure superiori.

## MONTAGGIO DI UN 2X4 SACRIFICALE



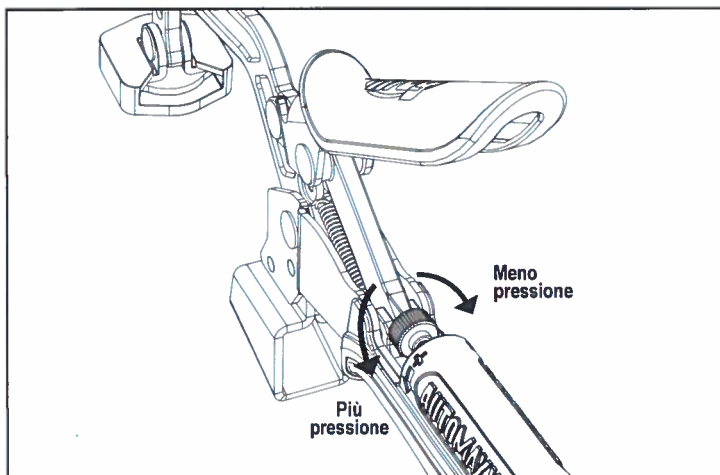
- (1) Serrare le boccole a 2x4 e (2) farle scorrere nella fessura a T.

## MONTAGGIO DELLA MORSA DA BANCO

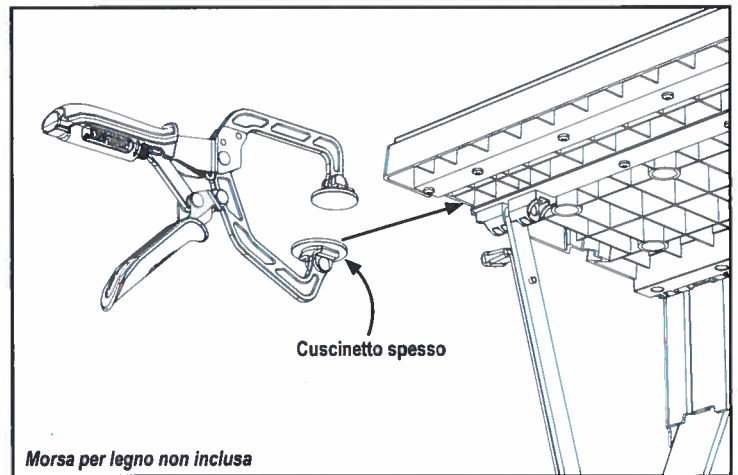


- (1) Regolare la vite di ancoraggio della morsa e (2) farla scorrere nella fessura a T.

## REGOLAZIONE DELLA PRESSIONE DELLA MORSA DA BANCO



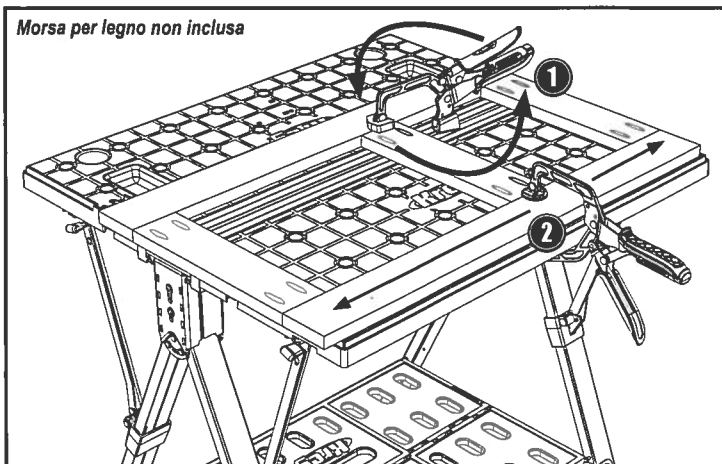
## UTILIZZO DI UNA MORSA PER LEGNO KREG



Far scorrere il cuscinetto spesso nella fessura a T.

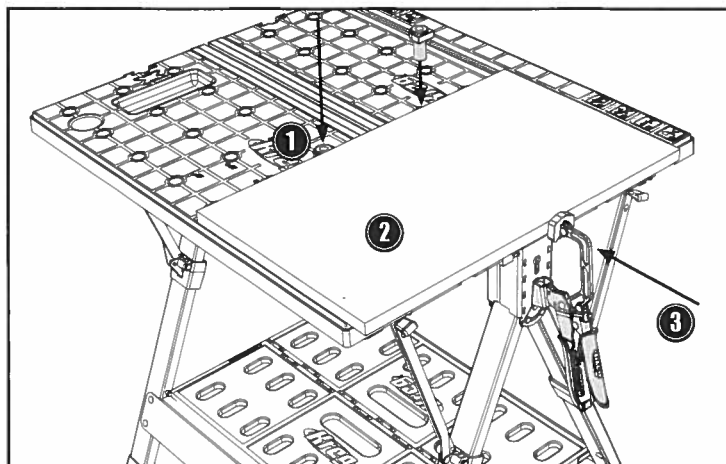
## SERRAGGIO RIPIANI DEL TAVOLO

Morsa per legno non inclusa



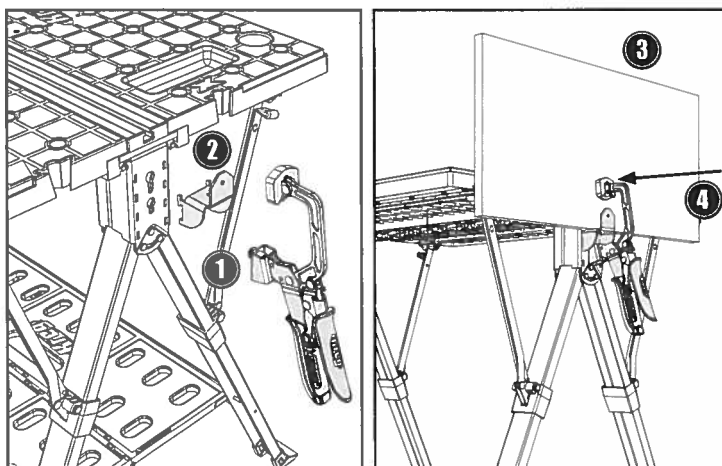
(1) La morsa da banco ruota di 360°. (2) Far scorrere una morsa per legno (accessorio opzionale) in qualsiasi punto lungo il bordo.

## SERRAGGIO CON MORSE DA BANCO



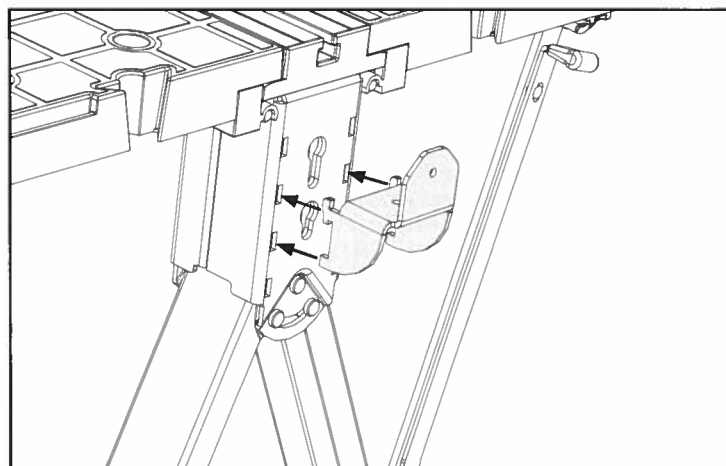
(1) Inserire le more da banco nei fori, (2) posizionare il pezzo e (3) serrare.

## MORSA



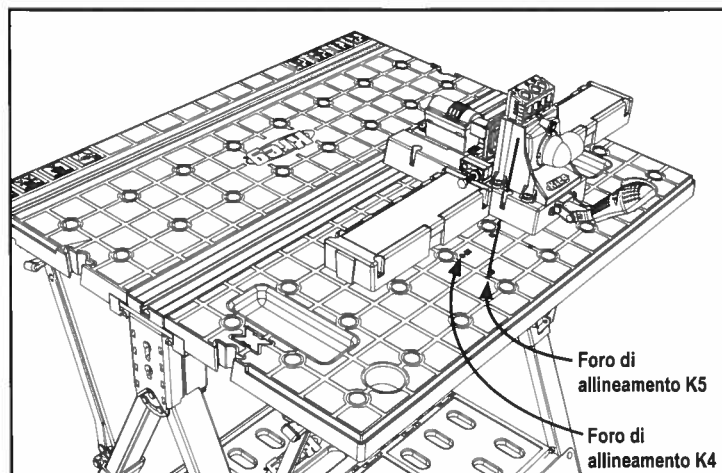
(1) Installare la morsa da banco nel foro chiave a T inferiore.  
 (2) Installare la staffa di supporto nelle fessure centrali.  
 (3) Collocare il pezzo sulla staffa e (4) serrare.

## POSIZIONE STAFFE: MORSA



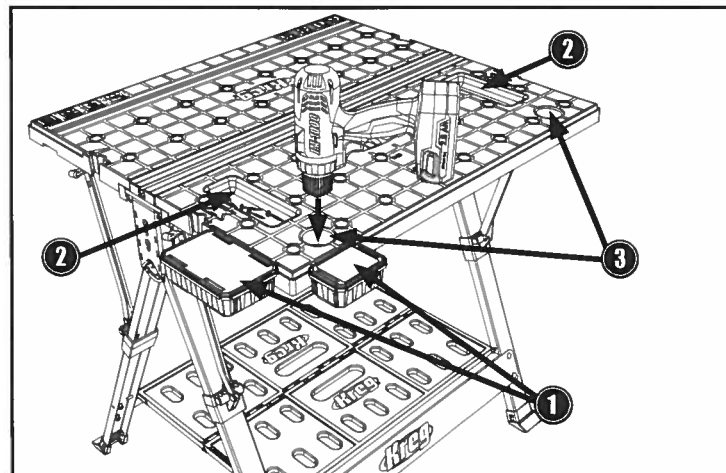
Montare la staffa di supporto nelle fessure centrali.

## MONTAGGIO DI UNA DIMA KREG®



Allineare la dima ai fori corrispondenti per K4 o K5.

## CARATTERISTICHE AGGIUNTIVE



(1) Attaccare i contenitori delle viti Kreg ai bordi dei ripiani del tavolo.

**ATTENZIONE** Appendere solo contenitori da 100 e 250 Kreg  
 (2) Riporre gli attrezzi nei vassoi incassati.

(3) Le fondine consentono di avere punte/cacciavite a portata di mano.

# Algemene veiligheidsinstructies



**WAARSCHUWING** Wanneer u elektrische apparaten gebruikt in combinatie met dit product, dient u naast uw overige voorzorgsmaatregelen ook altijd de onderstaande instructies van de fabrikant op te volgen, om ieder risico op brand, stroomschokken en persoonlijk letsel te beperken. Lees vóór het gebruik van dit product eerst al deze instructies. **BEWAAR DEZE INSTRUCTIES.**

## 1) Veilige werkplek

- Houd uw werkruimte schoon en goed verlicht. Rommelige of donkere ruimtes vragen om ongelukken.
- Gebruik elektrische apparaten niet in gevaarlijke omgevingen. Gebruik elektrische apparaten niet op vochtige of natte locaties, en laat ze niet in contact komen met regen.
- Gebruik elektrische apparaten niet in explosieve omgevingen, zoals in de nabijheid van brandbare vloeistoffen, gassen of stof. Elektrische apparaten produceren vonken die stof of dampen kunnen doen ontbranden.
- Houd kinderen en omstanders uit de buurt als u een elektrisch apparaat bedient. Als u wordt afgeleid, kunt u de controle over het apparaat verliezen.
- Maak uw werkplaats kinderveilig. Gebruik hangsloten en hoofdschakelaars, of verwijder de startsluitels.

## 2) Elektrische veiligheid

- Gebruik alleen geaarde elektrische apparaten. Als het apparaat is uitgerust met een stekker met 3 pinnen, mag deze enkel worden aangesloten op een geaard stopcontact met 3 gaten. Als u niet over een juist stopcontact beschikt, dient u er één te laten installeren door een erkende electricien. Verwijder de derde pin niet, en maak op geen enkele wijze wijzigingen aan in de meegeleverde stekker.
- Elektrische apparaten mogen niet worden blootgesteld aan regen of natte omstandigheden. Als water een elektrisch apparaat binnendringt, neemt het risico op stroomschokken toe.
- Het snoer mag niet ruw worden behandeld. Draag het apparaat nooit aan het snoer en trek niet aan het snoer om het apparaat te verplaatsen of de stekker uit het stopcontact te halen. Houd het snoer uit de buurt van hittebronnen, olie, scherpe randen en bewegende delen. Beschadigde of in de knoop geraakte snoeren verhogen het risico op stroomschokken.
- Gebruik een geschikt verlengsnoer en let erop dat het in goede staat is. Als u een verlengsnoer gebruikt, moet dit stevig genoeg zijn om de door uw elektrisch apparaat verbruikte stroom te kunnen vervoeren. Een ondermaats snoer resulteert in een daling van de lijnspanning, vermogensverlies en oververhitting. Tabel 1 toont de juiste snoerdikte, afhankelijk van de lengte van het snoer en de stroombelasting in ampère, vermeld op het typeplaatje van het apparaat. Gebruik bij twijfel de volgende dikte. Hoe kleiner het AWG-getal, hoe zwaarder het snoer.
- Vermijd tijdens het gebruik van elektrische apparaten lichamenlijk contact met geaarde oppervlakken zoals leidingen, radiatoren, grote formuizen en koelkasten. Contact met een geaard oppervlak verhoogt het risico op stroomschokken.

## 3) Persoonlijke veiligheid

- Blijf alert, kijk uit wat u doet en gebruik uw gezonde verstand wanneer u een elektrisch apparaat bedient. Gebruik geen elektrische apparaten wanneer u moe bent of onder invloed van drugs, alcohol of medicijnen. Een moment van onachtzaamheid bij het bedienen van elektrische apparaten kan leiden tot ernstig persoonlijk letsel.
- Draag altijd een veiligheidsbril. Een gewone bril is geen veiligheidsbril. Veiligheidsbrillen hebben speciaal gefabriceerde glazen, monturen en zijkleppen.
- Gebruik een beschermende uitrusting. Gebruik een gezichts- of stofmasker wanneer er bij het snijden veel stof vrijkomt. Beschermende uitrusting zoals een stofmasker, veiligheidschoenen met antislipzool, helm, gehoorbescherming, gebruikt voor de juiste omstandigheden, verminderen het risico op persoonlijk letsel.
- Voorkom onbedoeld aanzetten van het apparaat. Zorg dat de schakelaar uit staat voordat u het apparaat aansluit op het stroomnet. Een elektrisch apparaat dragen met uw vinger op de schakelaar of op het stroomnet aansluiten terwijl de schakelaar aan staat is vragen om ongelukken.
- Verwijder eventuele aanwezige sleutels of stelsleutels voordat u het apparaat aanzet. Een in een draaiend onderdeel van het apparaat achtergelaten sleutel of stelsleutel kan persoonlijk letsel veroorzaken.
- Reik niet buiten uw macht. Bewaar te allen tijde uw evenwicht en houd beide voeten op de grond. Hierdoor hebt u in onverwachte situaties meer controle over het elektrische apparaat.
- Zet werkstukken vast. Zet het werkstuk vast met klemgereedschappen of in een bankschroef, indien dit praktisch is. Dit is veiliger dan uw handen gebruiken en zo houdt u beide handen vrij om het apparaat te bedienen.
- Ga nooit op de machine staan. Als de machine kantelt of als u per ongeluk het snijgereedschap aanraakt, kan dit tot ernstig letsel leiden.
- Draag de juiste kleding. Draag geen loszittende kleding of sieraden. Houd uw haar, kleding en handschoenen uit de buurt van bewegende delen. Loszittende kleding, sieraden of lang haar kunnen in bewegende delen terechtkomen. Rol lange mouwen op tot de ellebogen. Draag een beschermende haarbedekking om lang haar vast te houden.
- Als apparaten voor het afzuigen en verzamelen van stof aanwezig zijn, zorg dan dat deze correct worden aangesloten en gebruikt. Het gebruik van een stofverzamelaar kan aan stof gerelateerde gevaren terugdringen.

## 4) Gebruik en behandeling van elektrische apparaten

- Houd beveiligingen op hun plaats en in bedrijfsklare staat.
  - Forceer het elektrische apparaat niet. Gebruik het juiste elektrische apparaat voor de betreffende toepassing. Het juiste elektrische apparaat werkt beter en veiliger als u het gebruikt bij de snelheid waarvoor het is ontworpen.
  - Gebruik het juiste apparaat. Forceer een apparaat of hulpstuk niet voor een toepassing waarvoor het niet is ontworpen.
  - Gebruik het elektrische apparaat niet als het apparaat niet met de schakelaar aan en uit kan worden gezet. Een elektrisch apparaat dat niet met de schakelaar kan worden bediend, is gevaarlijk en moet worden gerepareerd.
  - Haal de stekker uit het stopcontact en/of verwijder de accu uit het elektrische apparaat voordat u het apparaat aanpast, accessoires verwisselt of het apparaat opbergt. Dergelijke preventieve veiligheidsmaatregelen verminderen het risico op onbedoeld aanzetten van het apparaat.
  - Laat een apparaat niet onbeheerd werkend achter. Zet de stroom uit. Laat het apparaat niet achter voordat het volledig tot stilstand is gekomen.
  - Berg ongebruikte elektrische apparaten buiten het bereik van kinderen op en sta niet toe dat het apparaat wordt bediend door personen die onbekend zijn met deze instructies of de bediening van het elektrische apparaat. Elektrische apparaten zijn gevaarlijk in de handen van onervaren gebruikers.
  - Onderhoud elektrische apparaten goed. Controleer of bewegende delen correct werken en niet vastzitten; controleer de onderdelen ook op breuken en andere omstandigheden die van invloed kunnen zijn op de bediening van het elektrische apparaat. Als het apparaat beschadigd is, laat het dan repareren voordat u het gebruikt. Veel ongelukken worden veroorzaakt door slecht onderhouden elektrische apparaten.
  - Houd snijwerktuigen scherp en schoon. Goed onderhouden snijwerktuigen met scherpe snijranden zullen minder snel vastlopen en zijn gemakkelijker op een verantwoorde manier te gebruiken.
  - Gebruik de aanbevolen snelheid voor het snijwerktuig of de accessoire en het werkstukmateriaal.
  - Gebruik alleen door de fabrikant aanbevolen onderdelen en accessoires. Raadpleeg de gebruikershandleiding voor aanbevolen accessoires. Het gebruik van verkeerde accessoires kan persoonlijk letsel veroorzaken.
  - Gebruik het elektrische apparaat, accessoires, bits, etc. in overeenstemming met deze instructies en conform de specifieke doeleinden van dit type elektrisch apparaat, en houd daarbij rekening met de werkomstandigheden en de uit te voeren werkzaamheden. Het gebruik van het apparaat voor andere doeleinden dan waarvoor het bestemd is kan leiden tot gevaarlijke situaties.
- ### 5) Service
- Laat uw elektrische apparaat onderhouden door een bevoegde reparateur die uitsluitend identieke vervangingsonderdelen gebruikt. Dit waarborgt dat u het apparaat veilig kunt blijven gebruiken.

## 6) Specifieke veiligheidsinstructies van de Mobile Project Center werkbank

- Wanneer u de werkbladen gebruikt, moet u ze met beide handen aan de buitenste hoeken vastgrijpen en omhoogtillen. Zorg dat de beugels volledig vergrendeld zijn.
- Wanneer u de werkbladen inklaapt, grijpt u de beugelsluitingen met beide handen vast. Druk de sluitingen omhoog en het werkblad omlaag. Houd de handen weg van mogelijke klempunten.
- Werk altijd op een droog, vlak oppervlak.
- Wanneer u elektrische apparaten gebruikt op de Mobile Project Center werkbank, dient u zich aan de veiligheidsinstructies van de fabrikant van het apparaat te houden.
- Om kantelen te voorkomen dient u werkbankgereedschap altijd in het midden over de klemgroef te plaatsen.
- Wanneer u twee Mobile Project Center werkbanken gebruikt in 'rastermodus', raden we u aan een of twee 2x4 dwarsverbindingen te gebruiken voor extra sterkte.
- De Mobile Project Center werkbank is niet bedoeld om buitenshuis, in vochtige omstandigheden te worden gebruikt.
- Berg de Mobile Project Center werkbank altijd binnenshuis of beschut tegen weer en wind op.
- Ga niet op de Mobile Project Center werkbank zitten of staan. Gebruik de Mobile Project Center werkbank niet als steiger of voor enig ander doel dat niet in deze handleiding wordt vermeld.
- Stap niet op de plank.
- Hang geen voorwerpen aan de Mobile Project Center werkbank, tenzij zoals aangegeven in deze handleiding.

# Algemene veiligheidsinstructies

## Richtlijnen voor het gebruik van verlengsnoeren

Verlengsnoeren mogen enkel voor tijdelijke doeleinden worden gebruikt. Zij nemen niet de noodzaak weg om waar nodig stopcontacten en een behoorlijke bedrading te plaatsen.

### Op de werkvloer en op bouwplaatsen:

1. moeten te allen tijde verlengsnoeren met een aardgeleiding voor apparatuur worden gebruikt;
2. moeten de verlengsnoeren beschermd worden tegen beschadiging, en mogen zij niet door deur- en raamopeningen worden geleid als die deuren of ramen gesloten kunnen worden en zo het snoer kunnen beschadigen;
3. moeten verlengsnoeren minimaal 16 AWG dik zijn en geschikt zijn voor het gebruikte apparaat;
4. moeten de verlengsnoeren van tijd tot tijd geïnspecteerd worden, om te garanderen dat de isolatie en geleiding van de draden nog intact is;
5. mogen de verlengsnoeren niet door water lopen of aansluitingen hebben die in contact kunnen komen met opgehoopt water.

TABEL 1

Typeplaatje ampère bij 120 V	Lengte verlengsnoer					
	25'	50'	75'	100'	150'	200'
	Aanbevolen dikte draad					
0 - 5	16	16	16	14	12	12
5.1 - 8	16	16	14	12	10	NA
8.1 - 12	14	14	12	10	NA	NA
12.1 - 16	12	12	NA	NA	NA	NA

NA - Niet aanbevolen



### GEVAAR VOOR STROOMSCHOKKEN

De metalen onderdelen van dit product geleiden elektriciteit. Vermijd dus iedere situatie waarin elektrisch contact kan optreden. Verkeerd gearde elektrische apparaten houden een gevaar in voor stroomschokken, die tot ernstig lichamelijk letsel of de dood kunnen leiden, vooral bij gebruik in vochtige ruimten, in de buurt van sanitair en andere gearde oppervlakken, of buitenshuis.



### WAARSCHUWING

Stof dat ontstaat bij schuur-, zaag-, slijp-, boor- en andere bouwwerkzaamheden kan chemicaliën bevatten die in Californië bekend staan als veroorzaker van kanker en geboortefwijkingen of andere schade aan het voortplantingsgestel. Voorbeelden van dergelijke chemicaliën zijn:

- a) Lood uit loodhoudende verf
- b) Kristallijn silica uit bakstenen, cement en andere metselproducten
- c) Arsenicum en chroom uit chemisch behandeld timmerhout

Het risico van uw blootstelling aan deze chemicaliën hangt af van de regelmaat waarmee u dit type werk verricht. Om minder te worden blootgesteld, dient u in een goed geventileerde ruimte te werken, met goedgekeurde veiligheidsapparatuur zoals een stofmasker, speciaal ontworpen om microscopische deeltjes weg te filteren.

## Verklaring van de veiligheidssymbolen op de Mobile Project Center werkbank



Breng geen ongelijke belasting aan.



Ga niet op de Mobile Project Center werkbank staan.



Ga niet op de Mobile Project Center werkbank zitten.



Ga niet op de plank staan.



Draag altijd oogbescherming.



Maximale belasting bij gebruik van beide werkbladen: 350 lbs [158 kg] gelijkelijk verdeeld; 100 lbs [45 kg] gelijkelijk verdeeld over elk werkblad



Maximale belasting, twee Mobile Project Center werkbanken, zonder gebruik van de werkbladen: 2200 lbs [997 kg]



Maximale belasting op plank: 25 lbs [11 kg]

## Beperkte garantie Kreg Mobile Project Center werkbank

Kreg Tool Company garandeert enkel de oorspronkelijke aankoper dat de Kreg Mobile Project Center werkbank vrij zal blijven van materiaal- en productiedefecten gedurende de periode van drie (3) jaar vanaf de datum van aanschaf. Kreg Tool Company zal elk product (of onderdeel hiervan) dat gedurende de genoemde garantieperiode defecten blijkt te vertonen, naar eigen goeddunken repareren of vervangen. Deze garantie geldt alleen voor producten die gebruikt worden conform alle instructies in door Kreg Tool Company geleverde catalogi, handleidingen en/of instructiesets.

Deze garantie geldt slechts als de oorspronkelijke aankoper het product volledig en naar behoren online registreert ([www.kregtool.com](http://www.kregtool.com)) of als hij deze registratie telefonisch verricht bij de klantenservice van Kreg Tool Company (1-800-447-8638).

Deze garantie is ongeldig en nietig als het product blootgesteld is aan (1) misbruik, verwaarlozing en onjuiste opslag; (2) een ongeval, verwaarlozing, schade of andere omstandigheden waarover Kreg Tool Company geen controle heeft; (3) wijzigingen, demontage, manipulatie, aanpassingen of reparaties waarvoor Kreg Tool Company geen toestemming heeft gegeven; alsook (4) voor niet-oorspronkelijke aankopers. Deze garantie geldt niet bij normale slijtage, corrosie, afslijting of reparaties die noodzakelijk worden als gevolg van natuurlijke oorzaken of overmacht.

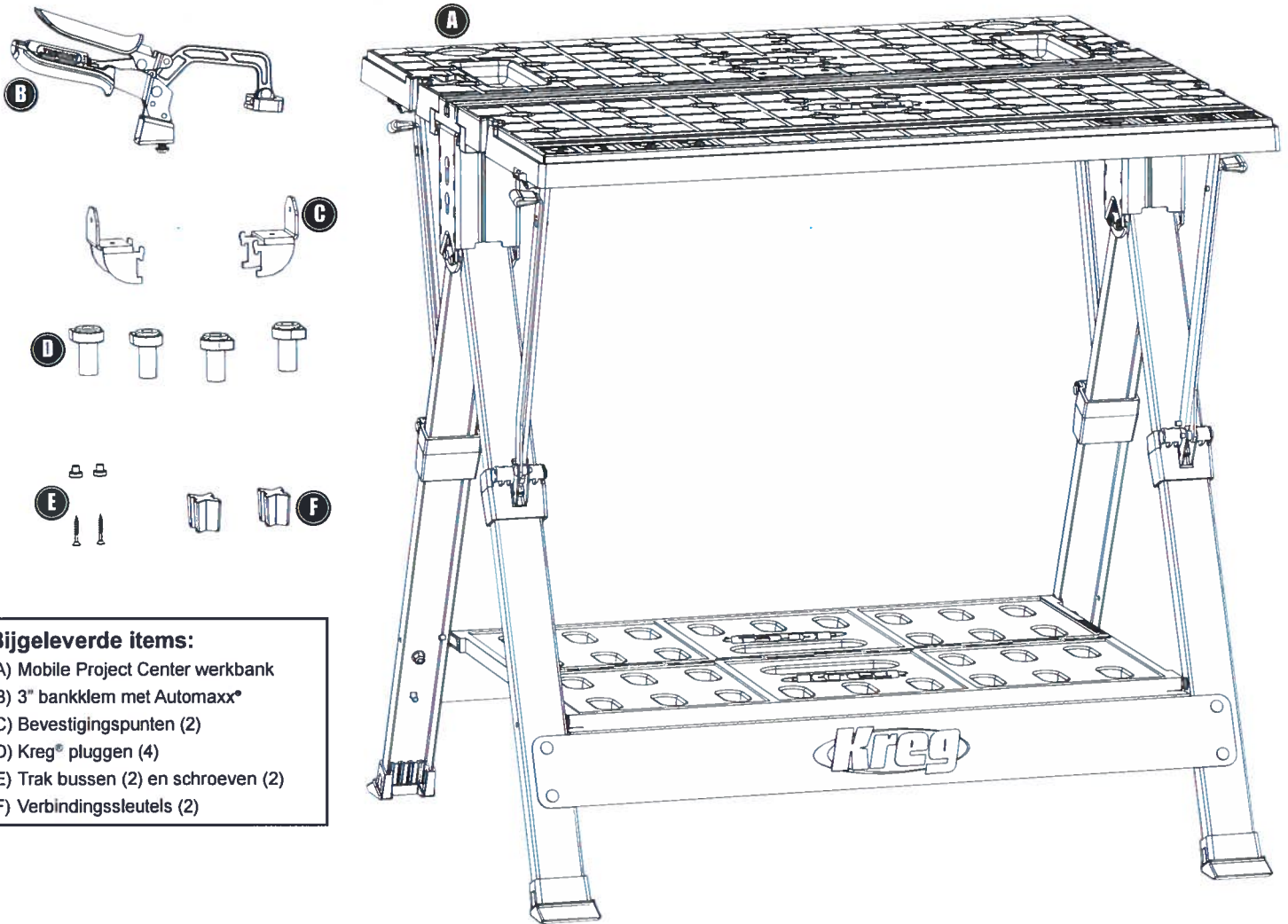
Dit is de enige garantie van Kreg Tool Company. Alle overige garanties die uit de wet kunnen voortvloeien, inclusief garanties met betrekking tot de verkoopbaarheid en geschiktheid voor een bepaald doel, blijven hierbij beperkt tot de duur van deze garantie. Kreg Tool Company is niet aansprakelijk voor enig verlies, schade of onkosten die direct of indirect voortvloeien uit het gebruik van zijn producten, noch om enige andere reden, of voor vervolgschade (inclusief, zonder beperking, tijdverlies, ongemak en productieverlies). De garantie hierin mag niet worden gewijzigd en evenmin mag er een andere uitdrukkelijke of geïmpliceerde garantie worden afgegeven namens Kreg Tool Company.

Voor uw administratie kan de volgende informatie nuttig zijn als u een garantieclaim moet indienen. Voor een compleet register verzoeken we u een kopie van uw bewijs of uw aankoop bij te sluiten.

Datum van aankoop \_\_\_/\_\_\_/\_\_\_

Aangekocht bij: \_\_\_\_\_

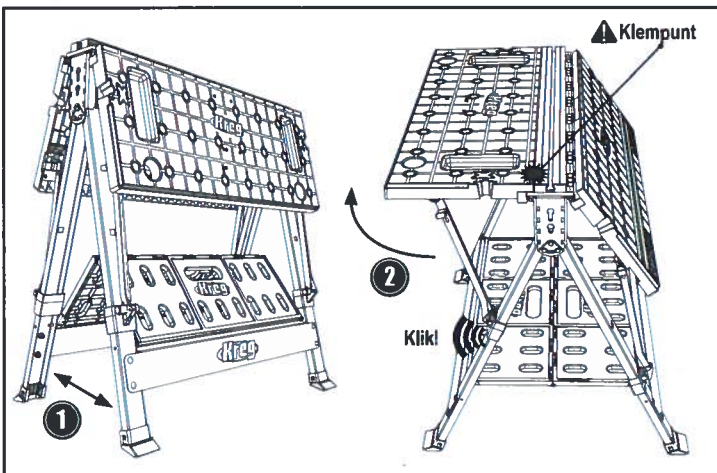
# ONDERDELEN



## Bijgeleverde items:

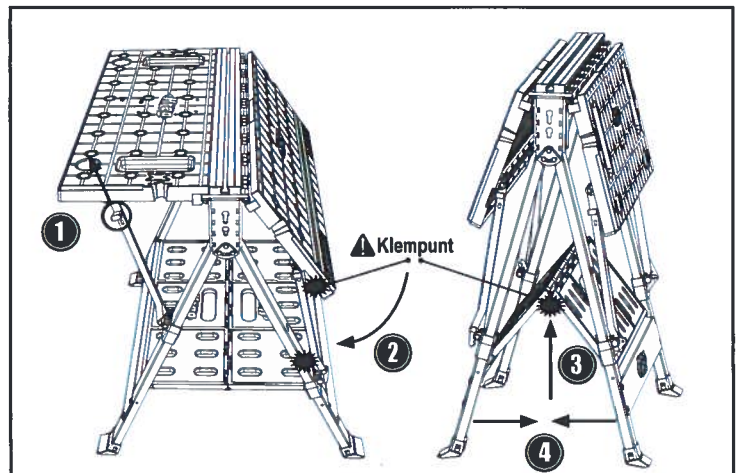
- (A) Mobile Project Center werkbank
- (B) 3" bankklem met Automaxx®
- (C) Bevestigingspunten (2)
- (D) Kreg® pluggen (4)
- (E) Trak bussen (2) en schroeven (2)
- (F) Verbindingsleutels (2)

## OPZETTEN



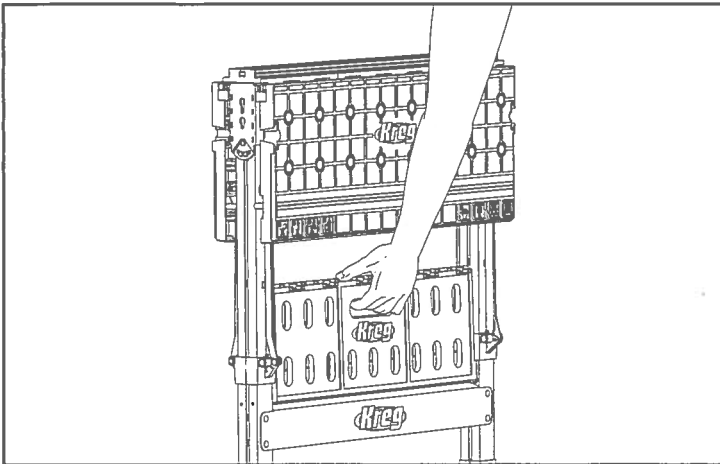
- (1) Spreid de poten.
- (2) Til de werkbladen omhoog. Zorg dat de beugels volledig vergrendeld zijn.

## OPBERGEN



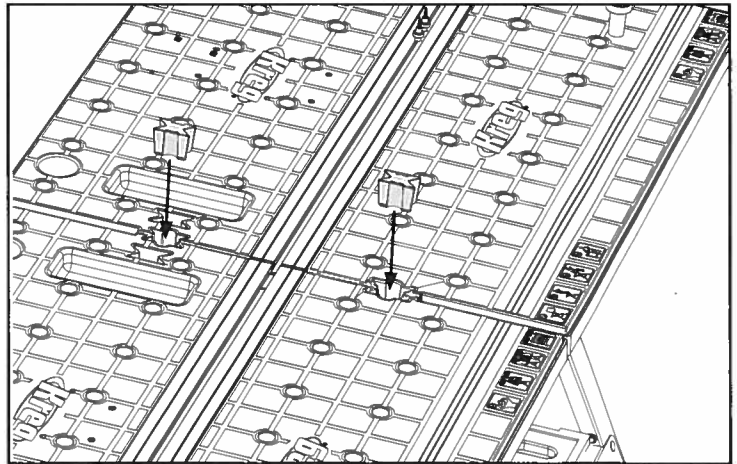
- (1) Til de sluitingen op om de beugels te ontgrendelen. (2) Laat de werkbladen zakken. (3) Til de plank op. (4) Sluit de poten.

## DRAGEN



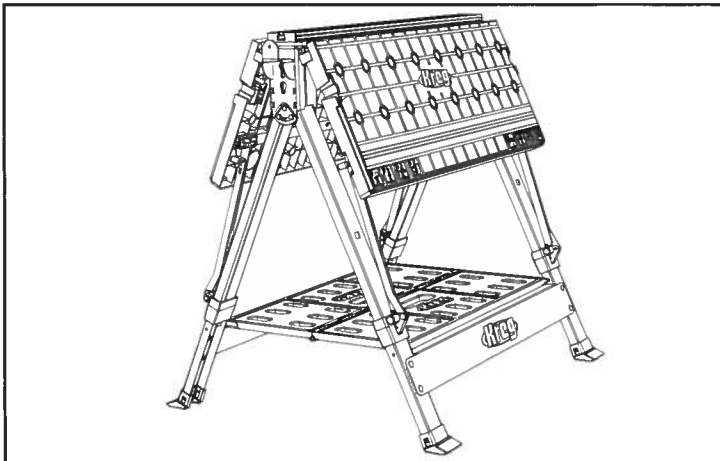
Om te voorkomen dat de werkbank per ongeluk uitklapt, dient u hem altijd vast te houden bij de handgreepgaten van de plank.

## AANSLUITEN



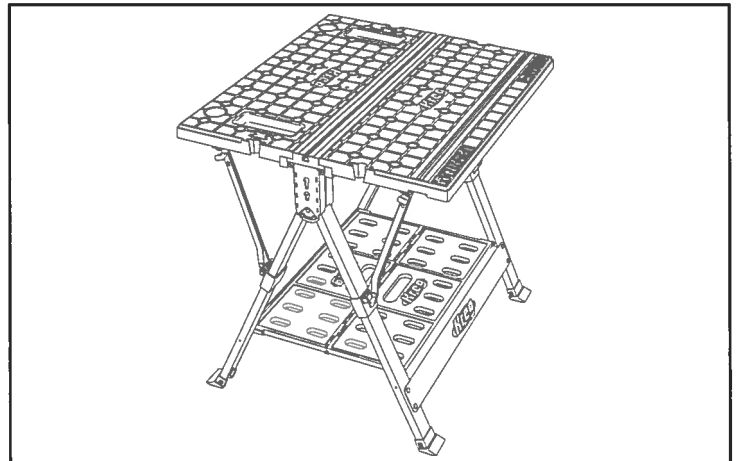
Twee Mobile Project Center werkbanken worden bijeen gehouden door verbindingssleutels.

## ZAAGBANK



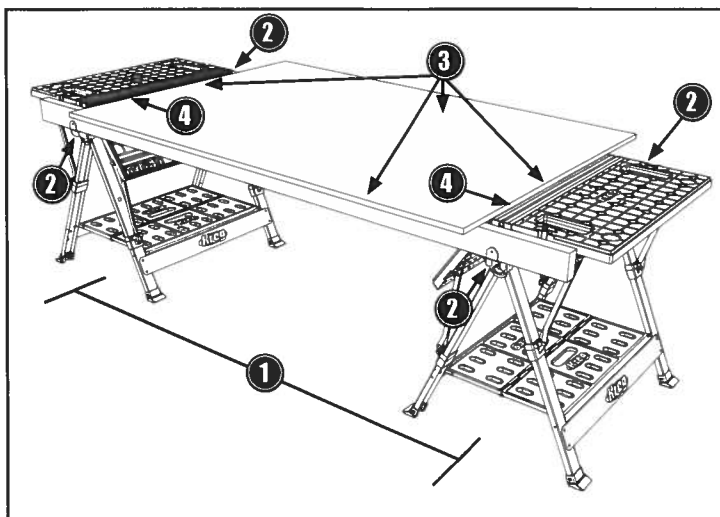
Voeten uit, werkblad naar

## TAFEL



Voeten uit, werkblad omhoog

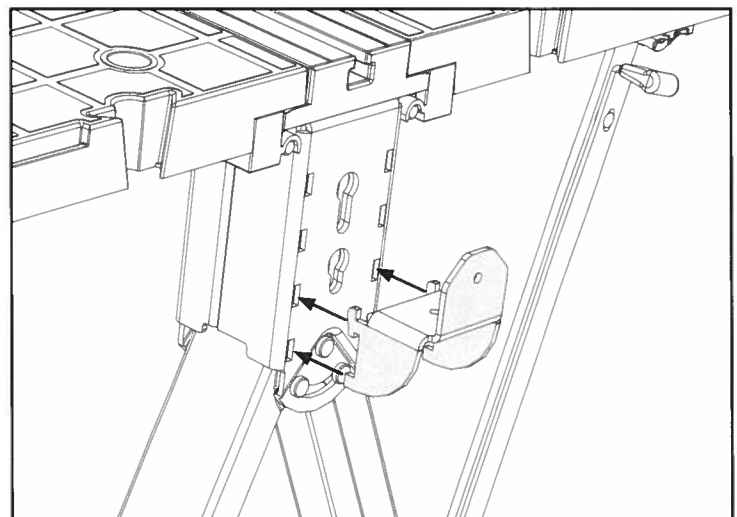
## OPSTELLING UITGEBREID WERKBLAD



- (1) Twee Mobile Project Center werkbanken maximaal 7 feet (2,13 meter) van elkaar.
- (2) Bevestigingspunten in lage stand, één 2x4 in elk paar bevestigingspunten.
- (3) 3/4" multiplex steunt op 2x4's en de randen van beide ingeklapte werkbladen.
- (4) Randen van multiplex stevig tegen beide klemgroeven gedruwd.
- (5) Verdeel het gewicht evenredig.

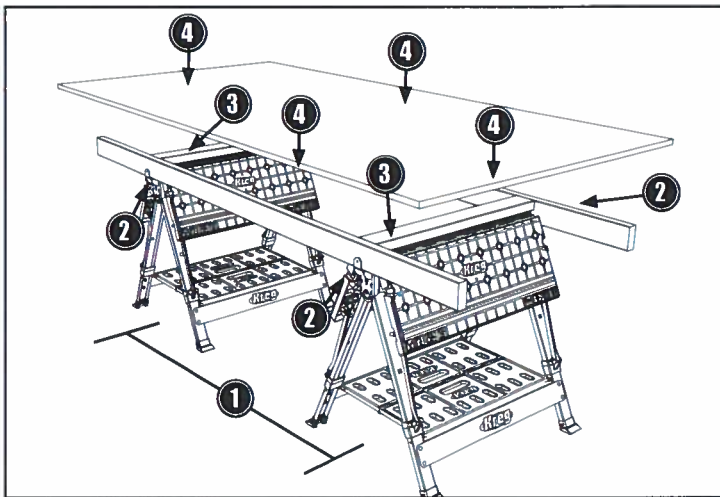
**WAARSCHUWING** Maximale belasting 2.200 lbs [998 kg]

## POSITIE BEVESTIGINGSPUNTEN: UITGEBREID WERKBLAD



Monteer de bevestigingspunten in de lagere gaten.

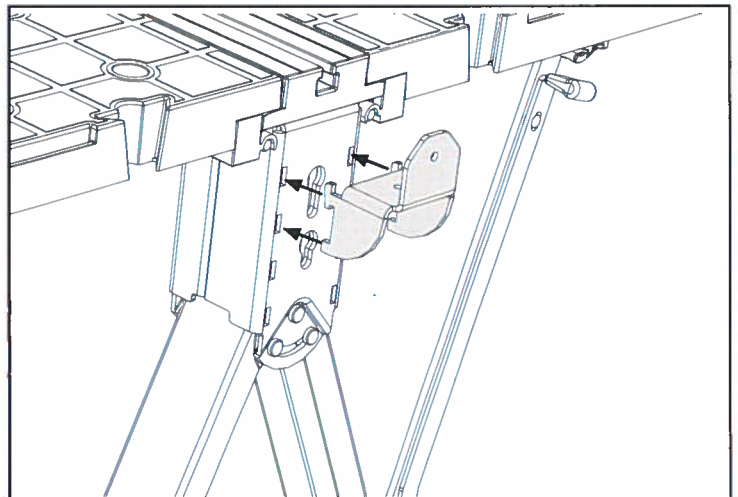
## OPSTELLING SNIJTAFEL



- (1) Twee Mobile Project Center werkbanken maximaal 7 feet (2,13 meter) van elkaar.
- (2) Bevestigingspunten in hoge stand, één 2x4 in elk paar bevestigingspunten.
- (3) Overbodige 2x4 op elke Mobile Project Center werkbank.  
(Zie MONTAGE VAN OVERBODIGE 2X4.)
- (4)  $\frac{3}{4}$ " multiplex steunt op 2x4's en op de overbodige 2x4's.
- (5) Verdeel het gewicht evenredig.

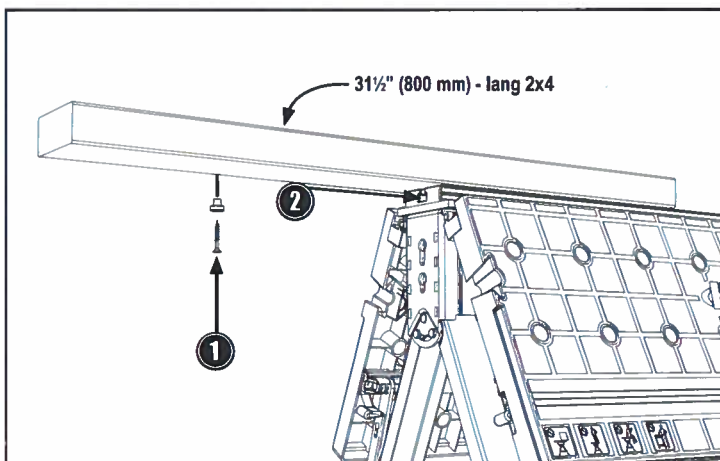
**WAARSCHUWING** Maximale belasting 2.200 lbs [998 kg]

## POSITIE BEVESTIGINGSPUNTEN: OPSTELLING SNIJTAFEL



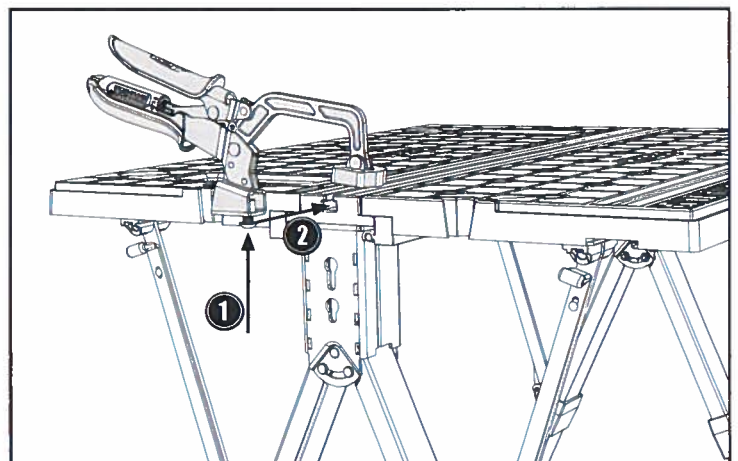
Monteer de bevestigingspunten in de bovenste gaten.

## MONTAGE VAN OVERBODIGE 2X4



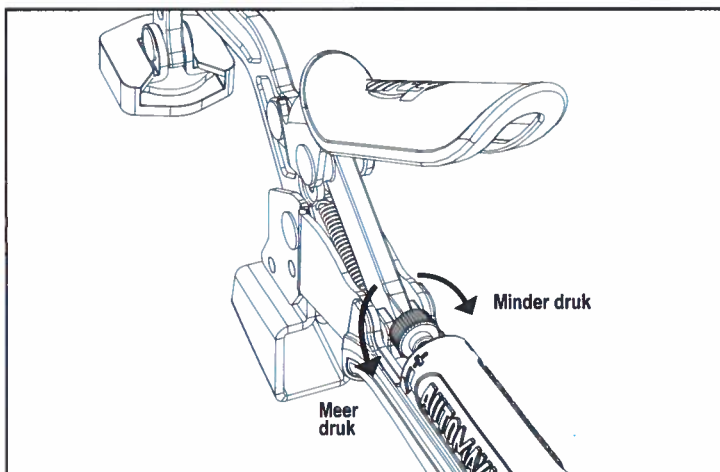
- (1) Draai de Trak bussen vast aan de 2x4 en (2) schuif ze in het T-gat.

## MONTAGE VAN BANKKLEM

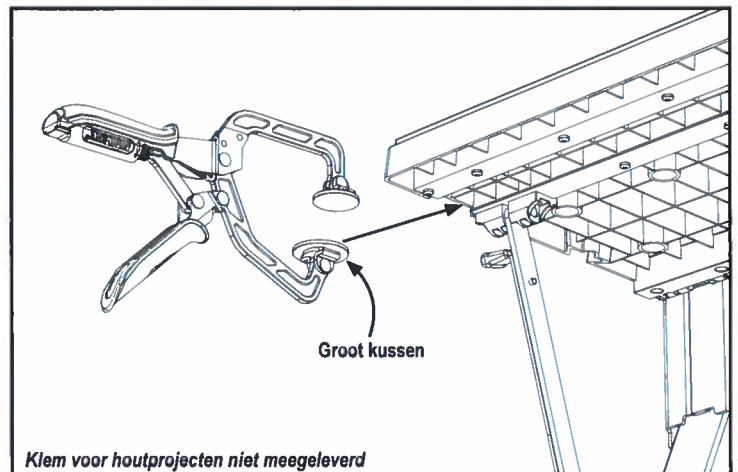


- (1) Pas de ankerschroef van de klem aan en (2) schuif hem in het T-slot.

## AANPASSING DRUK VAN BANKKLEM



## GEBRUIK VAN EEN KREG KLEM VOOR HOUTPROJECTEN



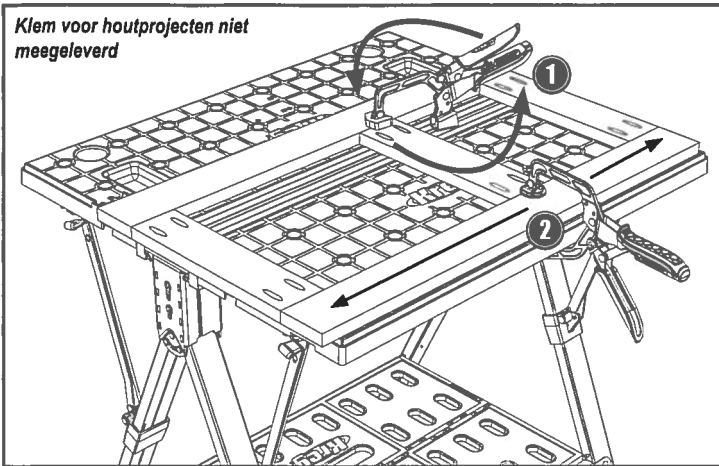
*Klem voor houtprojecten niet meegeleverd*

Schuif het grote kussen in het T-gat.



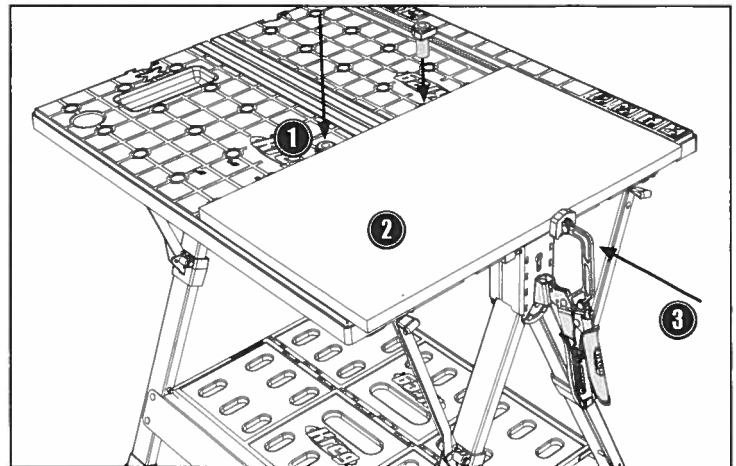
## VASTKLEMMEN OP WERKBLAD

Klem voor houtprojecten niet meegeleverd



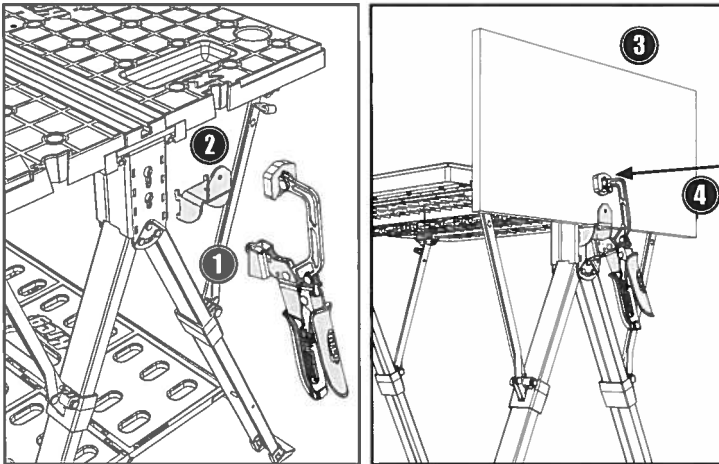
(1) De bankklem draait 360°. (2) Schuif een klem voor houtprojecten (optionele accessoire) naar uw wens langs de rand.

## VASTKLEMMEN MET PLUGGEN



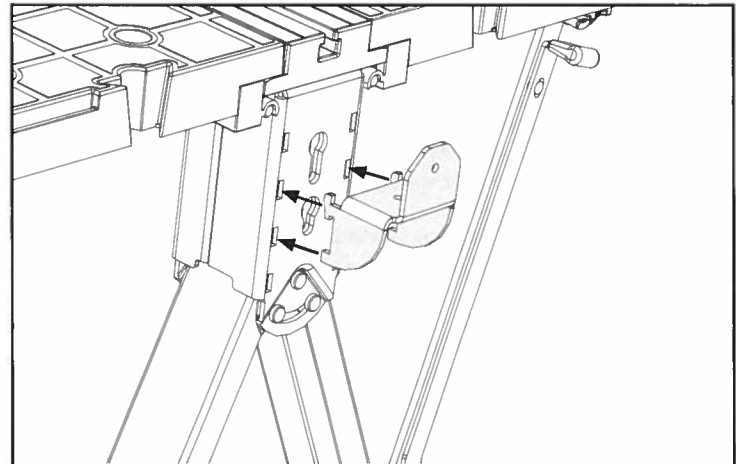
(1) Steek de pluggen in de gaten, (2) breng het werkstuk in positie, en (3) klem het vast.

## BANKSCHROEF



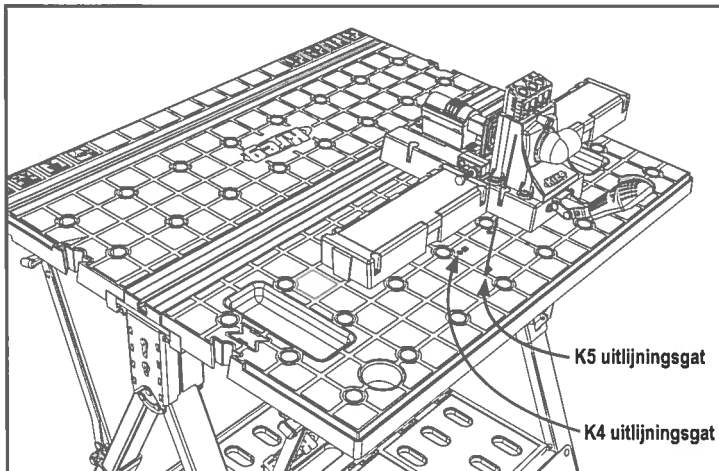
(1) Installeer de bankklem in het laagste "sleutelgat".  
 (2) Installeer het bevestigingspunten in de middelste gaten.  
 (3) Laat het werkstuk steunen op het bevestigingspunt en de (4) klem.

## POSITIE BEVESTIGINGSPUNTEN: OPSTELLING BANKSCHROEF



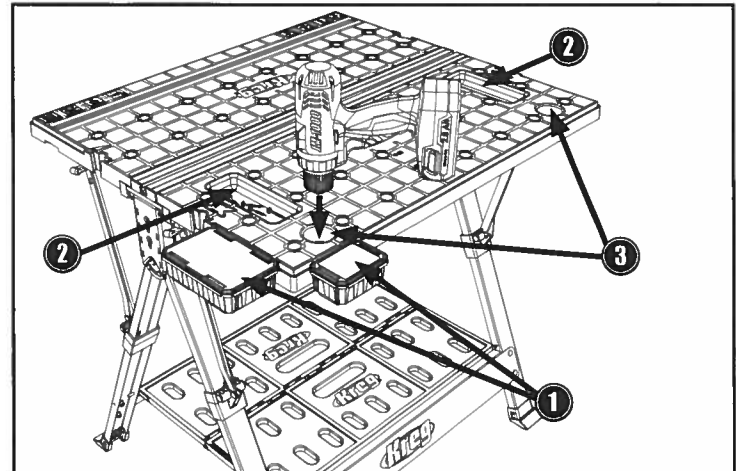
Monteer het bevestigingspunt in de middelste gaten.

## MONTAGE VAN EEN KREG JIG-SCHROEF®



Lijn de jig-schroef uit met de bijbehorende gaten voor hetzij K4 of K5.

## AANVULLENDE ELEMENTEN



(1) Hang de Kreg schroefbakken aan de randen van de werkbladen.

- ! LET OP** Enkel Kreg schroevenbakken voor 100 en 250 schroeven ophangen  
 (2) Berg hardware op in de inbouwplaten.  
 (3) Dankzij de boorhouders hebt u boren/schroevendraaiers altijd bij de hand.

# Generelle sikkerhetsinstruksjoner

**!** **ADVARSEL** For å redusere risikoen for brann, støt og personskade når du bruker el-verktøy sammen med dette produktet, må du følge anvisningene fra verktøyprodusenten i tillegg til forholdsreglene for sikkerhet *under*. Les alle disse instruksjonene før du tar i bruk verktøyet. **TA VARE PÅ DISSE INSTRUKSJONENE.**

## 1) Sikkerhet i arbeidsområdet

- Sørg for at arbeidsområdet er rent, ryddig og godt belyst.** Rot eller dårlig belysning øker sjansen for uhell.
- Ikke bruk el-verktøy i farlige omgivelser.** Ikke utsett el-verktøy for regn, og ikke bruk dem i fuktige eller våte omgivelser.
- Ikke bruk el-verktøy i eksplosjonsfarlige omgivelser som for eksempel nær brennbare væsker, gasser eller støv.** El-verktøy slår gnister som kan antenne støv eller røyk.
- Hold barn og uvedkommende unna mens du bruker elektroverktøyet.** Hvis du blir distraheret, kan du miste kontrollen over verktøyet.
- Gjør verkstedet trygt for barn.** Fjern startnøklene eller bruk hengelåser og masterbrytere.

## 2) Elektrisk sikkerhet

- Jord el-verktøy.** Hvis verktøyet har støpsel med tre stikk, må det kun kobles til en jordet treveis stikkontakt. Kontakt eventuelt elektriker for å få montert en forskriftsmessig stikkontakt. Aldri forsøk å fjerne det tredje stikket eller foreta endringer på støpselet.
- Ikke utsett el-verktøy for regn eller våte omgivelser.** Hvis det kommer vann i el-verktøyet, øker risikoen for støt.
- Ikke bruk makt på ledningen.** Ikke bær el-verktøyet etter ledningen, og ikke dra i ledningen for å koble fra verktøyet. Hold ledningen unna varme, olje, skarpe kanter og bevegelige deler. Skadde eller flokede ledninger øker risikoen for støt.
- Bruk en anbefalt skjætleidning som er i god stand.** Pass på at skjætleidningen du bruker, tåler strømmen som el-verktøyet trekker. Bruk av en underdimensjonert ledning forårsaker spenningsfall, som i sin tur fører til effekttap og overoppheting. **Tabell 1** viser riktig ledningsmål ut fra lengden på ledningen samt ampereverdien som er angitt på typeskiltet på verktøyet. Hvis du er i tvil, runder du av oppover. Jo lavere tallet på måleskalaen, jo tykkere er ledningen.
- Unngå kroppskontakt med jordede overflater som for eksempel rør, radiatorer, kjøkkenutstyr og kjøleskap når du bruker el-verktøy.** Kontakt med jordede overflater øker risikoen for støt.

## 3) Personlig sikkerhet

- Vær årvåken, konsentrer deg om det du holder på med, og utvis sunn fornuft når du bruker el-verktøy.** Ikke bruk el-verktøy når du er sliten eller ruspåvirket (gjennom medisiner, alkohol eller narkotika). Et øyeblikks uoppmerksomhet mens du bruker el-verktøy kan være nok til å forårsake alvorlige personskader.
- Bruk alltid vernebriller.** Vanlige briller er ikke vernebriller. Vernebriller har spesialdesignede linser, rammer og sidebeskyttelse.
- Bruk sikkerhetsutstyr.** Bruk ansikts- eller støvmaske hvis det dannes støv under kuttingen. Bruk av personlig verneutstyr som for eksempel støvmaske, skliskire vervesko, hjelm eller hørselsvern der og når det kreves, reduserer risikoen for personskader.
- Unngå at verktøyet startes utilsiktet. Pass på at bryteren er slått av før tilkobling.** Hvis du bærer et el-verktøy med fingeren på bryteren, eller kobler til verktøyet mens bryteren er på, kan det fort skje en ulykke.
- Fjern eventuelle innstillings- eller skiftenøkler før du slår på el-verktøyet.** Hvis en skiftenøkkel eller nøkkel sitter igjen i en bevegelig del på el-verktøyet, kan det føre til personskader.
- Ikke strekk deg for langt. Pass på at du hele tiden står støtt og har god balanse.** Dette gir deg mer kontroll over elektroverktøyet hvis noe uventet skulle skje.
- Fest arbeidsstykket godt.** Hvis mulig, bruker du klemmer eller en skrustikke for å holde på plass arbeidsstykket. Dette er tryggere enn å bruke hånden, og gir deg mulighet til å betjene verktøyet med begge hender.
- Aldri stå på maskinen.** Hvis verktøyet velter eller du kommer borti skjæreverktøyet, risikerer du alvorlige skader.
- Bruk fornuftige arbeidsklær. Ikke ha på deg smykker eller klær som sitter løst. Hold hår, klær og hansker unna bevegelige deler.** Løstsittende klær, smykker eller langt hår kan vikle seg inn i bevegelige deler. Lange ermer bør ruller opp til albuen. Bruk hårnett for å holde på plass langt hår.
- Sørg for at eventuelt utstyr for støvavtrekk og -opsamling kobles til og brukes forskriftsmessig.** Bruk av denne typen utstyr kan redusere risikoene knyttet til støv.

## 4) Bruk og vedlikehold av el-verktøy

- Sørg for at alle verneinnretninger er på plass og fungerer slik de skal.**
- Ikke bruk makt på el-verktøyet. Bruk riktig type el-verktøy for arbeidet.** Bruk et egnet el-verktøy i tråd med anvisningene for å få jobben gjort på en trygg og god måte.

- Bruk riktig verktøy.** Ikke bruk verktøy eller tilbehør til andre formål enn de er ment for.
- Ikke bruk el-verktøy det ikke er mulig å slå på/av med bryteren.** El-verktøy som ikke kan styres med bryteren, er farlige og må repareres.
- Ta støpselet ut av stikkontakten og/eller fjern batteripakken fra el-verktøyet før oppbevaring eller hvis du skal bytte tilbehør eller gjøre justeringer.** Slike forebyggende sikkerhetstiltak reduserer risikoen for at el-verktøyet startes utilsiktet.
- Ikke gå fra verktøyet så lenge det er slått på. Slå det av.** Ikke gå fra verktøyet før det har stoppet helt.
- Når det ikke er i bruk, skal el-verktøyet oppbevares utilgjengelig for barn. El-verktøyet skal ikke brukes av personer som ikke er kjent med disse instruksjonene og hvordan verktøyet fungerer.** El-verktøy er farlige når de brukes av ukyndige.
- Hold el-verktøyet ved like. Undersøk om bevegelige deler er feiljustert eller sitter løst, og se etter eventuelle ødelagte deler eller andre feill/ problemer som kan hindre forskriftsmessig bruk av el-verktøyet.** Hvis el-verktøyet er skadet, må du få det reparert før du bruker det. Mange ulykker skyldes dårlig vedlikeholdte el-verktøy.
- Hold skjæreverktøyene skarpe og rene.** Godt vedlikeholdte skjæreverktøy med skarpe skjærekanten er enklere å styre og har mindre risiko for å kile seg fast.
- Bruk anbefalt hastighet for skjæreverktøyet/tilbehøret og arbeidsstykket.**
- Bruk bare deler og tilbehør som er anbefalt av produsenten.** Se eierhåndboken for mer informasjon om anbefalt tilbehør. Bruk av uegnet tilbehør kan forårsake personskader.
- Bruk el-verktøyet, tilbehøret og hardmetallskjærene på en forskriftsmessig måte (ta høyde for arbeidsforholdene og -oppgaven) og i samsvar med disse instruksjonene.** Hvis el-verktøyet brukes til andre formål enn det er beregnet på, kan det forårsake farlige situasjoner.

## 5) Service

- Service på el-verktøyet må utføres av en kvalifisert person, og det skal kun brukes identiske reservedeler.** Dette sikrer at el-verktøyet forblir trygt å bruke.

## 6) Spesifikke sikkerhetsinstruksjoner for Kreg Mobile Project Center

- Når du skal folde ut bordplaten,** holder du med begge hendene i ytterhjørnene og drar opp platen. Pass på at støttene går helt i inngrep.
- Når du skal folde sammen bordplaten,** tar du tak i flikene med begge hender for å løse ut støtten. Dra opp flikene og trykk ned bordplaten. Vær forsiktig så du ikke får hendene i klem.
- Jobb alltid på tørt, plant underlag.**
- Følg sikkerhetsinstruksjonene fra verktøyprodusenten når du bruker el-verktøy med Mobile Project Center.**
- For å unngå velt skal arbeidsbenkverktøyene alltid monteres midt over klemmeskinnekanalen.**
- Når det brukes to Mobile Project Center i gittermodus,** anbefales det å legge til én eller to 2x4-traverser for å øke styrken.
- Mobile Project Center skal ikke brukes utendørs ved fuktige forhold.**
- Mobile Project Center skal alltid oppbevares innendørs eller på et sted der det beskyttes mot vær og vind.**
- Ikke sitt eller stå på Mobile Project Center, og ikke bruk det som stillas eller til andre formål enn dem som er angitt i denne håndboken.**
- Ikke trå på hylla.**
- Ikke heng andre ting fra Mobile Project Center enn det som er angitt i denne håndboken.**

# Generelle sikkerhetsinstruksjoner

## Retningslinjer for bruk av skjøteledning

Skjøteledninger skal kun brukes midlertidig. De kan ikke erstatte stikkontakter og riktig kabling.

### I butikken og på anleggsplasser:

1. Skjøteledningene skal til enhver tid brukes med jordledning til utstyret.
2. Skjøteledningene må beskyttes mot skade. Unngå å legge dem gjennom døråpninger eller vinduer, da de kan bli skadet hvis døren/vinduet lukkes.
3. Skjøteledningene må som minimum være 16 AWG og klassifisert for utstyret som brukes.
4. Skjøteledningene må undersøkes regelmessig for å sikre at isolasjonen er i forskriftsmessig stand og at trådene har god konduktivitet.
5. Skjøteledninger skal ikke føres gjennom vann eller ha tilkoblinger som kan være utsatt for vann.

TABELL 1

Typeskilt ampere @120 V	Lengde på skjøteledning					
	25'	50'	75'	100'	150'	200'
	Anbefalt trådtykkelse					
0 - 5	16	16	16	14	12	12
5,1 - 8	16	16	14	12	10	NR
8,1 - 12	14	14	12	10	NR	NR
12,1 - 16	12	12	NR	NR	NR	NR

NR – Ikke anbefalt



### FARE FOR STØT

Metalldelene på produktet leder strøm. Unngå forhold som forårsaker elektrisk kontakt. Uriktig jordede el-verktøy kan gi alvorlige eller livstruende støt. Dette gjelder særlig ved bruk på fuktige steder, i forbindelse med rørlegging, utendørs eller på jordede overflater.



### ADVARSEL

Støv som genereres ved pussing, saging, sliping, boring og andre byggeaktiviteter, kan inneholde kjemikalier som staten California har identifisert som kreftfremkallende, mutasjonsfremkallende eller på annen måte reproduksjonsskadelige. Eksempler på slike kjemikalier er:

- a) bly fra blybasert maling
- b) kvartsstøv fra murstein, sement og andre produkter som brukes ved murerarbeid
- c) arsenikk og krom fra kjemisk behandlet trevirke

Risikoen din for å bli eksponert for disse kjemikalierne, avhenger av hvor ofte du utfører denne typen arbeid. For å redusere eksponeringen er det viktig at du har god ventilasjon i arbeidsområdet, og at du bruker godkjent sikkerhetsutstyr som f.eks. støvmasker som er spesialdesignet for å filtrere ut mikroskopiske partikler.

## Forklaring av sikkerhetssymbolene på Mobile Project Center



Unngå ubalansert last.



Ikke stå på Mobile Project Center.



Ikke sitt på Mobile Project Center.



Ikke stå på hylla.



Bruk alltid øyevern.



Maks belastning når begge bordplatene er foldet ut: 350 lbs [158 kg] ved jevn vektfordeling; 100 lbs [45 kg] ved jevn vektfordeling på én kant



Maks belastning, to Mobile Project Center, bordplate ikke foldet ut: 2 200 lbs [997 kg]



Maks belastning på hylle: 25 lbs [11 kg]

## Begrenset garanti for Kreg Mobile Project Center

Kreg Tool Company garanterer kun overfor opprinnelig kjøper at Kreg Mobile Project Center vil være fritt for material- og produksjonsfeil i tre (3) år fra kjøpsdato. Kreg Tool Company kan velge å enten reparere eller erstatte eventuelle produkter (eller deler) det påvises feil på i løpet av garantiperioden. Garantien gjelder bare produkter som er brukt i samsvar med alle instruksjonene i katalogene og håndbøkene og/eller anvisningene fra Kreg Tool Company.

Garantien er kun gyldig hvis den originale kjøperen fullfører produktregistreringen på nett ([www.kregtool.com](http://www.kregtool.com)) eller ringer Kreg Tool Company kundeservice (1-800-447-8638).

Garantien gis kun til den opprinnelige kjøperen, og dekker ikke produktfeil som skyldes (1) ikke-forskriftsmessig bruk/oppbevaring; (2) uhell, vanskjøtsel, skader eller andre forhold som er utenfor Kreg Tool Companys kontroll; (3) endringer, demontering eller reparasjoner som ikke er autorisert av Kreg Tool Company. Garantien dekker ikke vanlig slitasje, rust eller reparasjoner som skyldes naturlige årsaker eller naturkatastrofer.

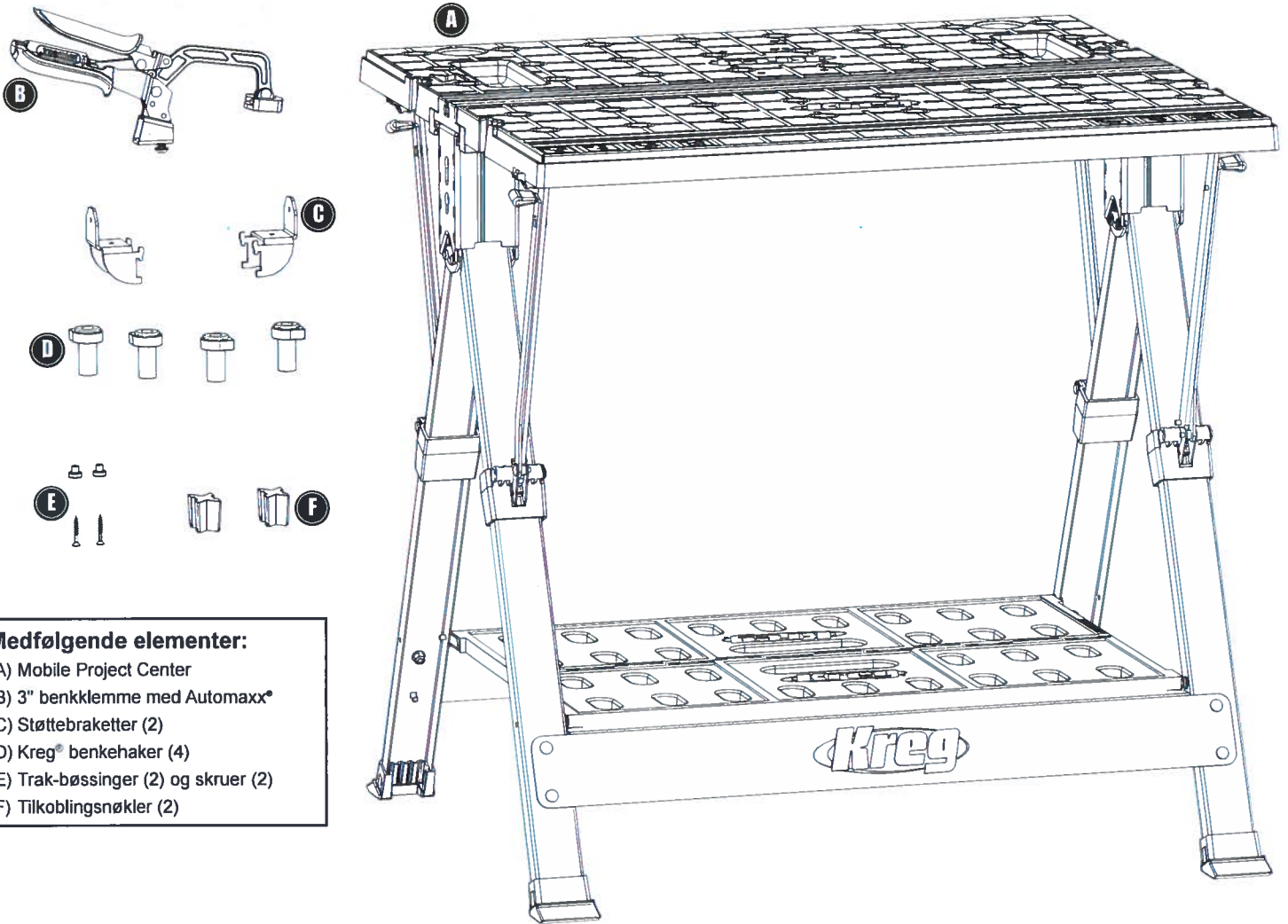
Dette er den eneste garantien Kreg Tool Company gir. Eventuelle andre garantier som kan være implisert iht. gjeldende lov, herunder garantier om salgbarhet eller egnethet for et bestemt formål, gjelder bare så lenge denne garantien er gyldig. Kreg Tool Company kan ikke holdes ansvarlig for eventuelle tap, skader eller utgifter som er direkte eller indirekte relatert til bruken av selskapets produkter, eller for eventuelle følgeskader (herunder ulykke eller tap av tid eller produksjon). Garantien kan ikke endres, og det blir ikke tilbudt andre uttrykkelige eller underforståtte garantier verken fra eller på vegne av Kreg Tool Company.

Hvis et garantikrav skulle bli aktuelt, er følgende informasjon nødvendig. Legg ved en kopi av kjøpsbeviset som dokumentasjon.

Kjøpsdato: \_\_\_/\_\_\_/\_\_\_

Kjøpt fra: \_\_\_\_\_

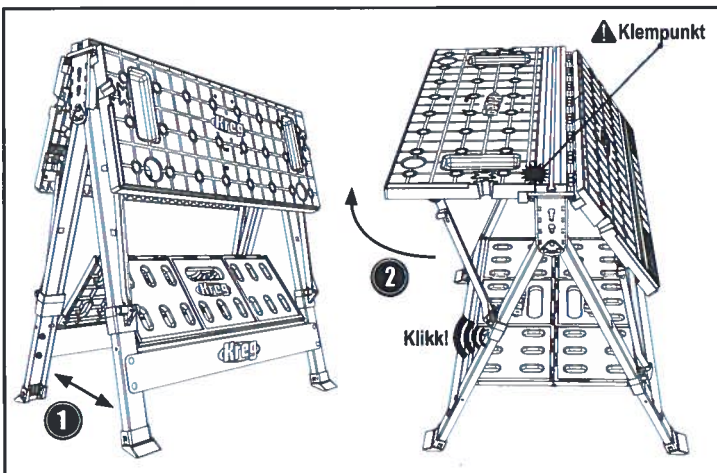
# DELER



## Medfølgende elementer:

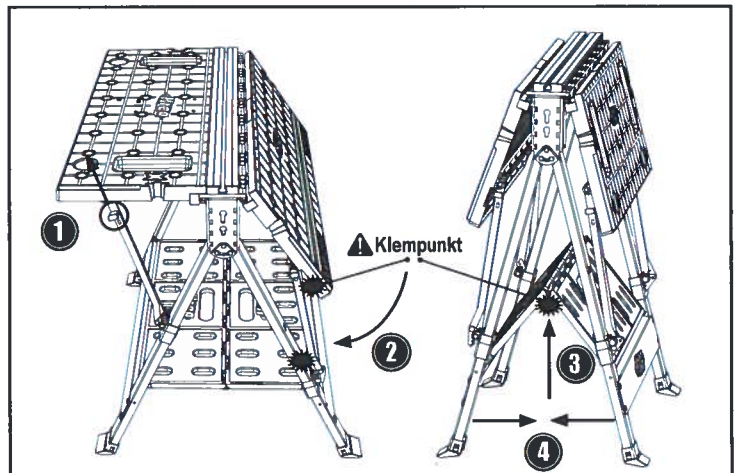
- (A) Mobile Project Center
- (B) 3" benkleme med Automaxx®
- (C) Støttebraketter (2)
- (D) Kreg® benkehaker (4)
- (E) Trak-bøssinger (2) og skruer (2)
- (F) Tilkoblingsnøkler (2)

## OPPSTILLING



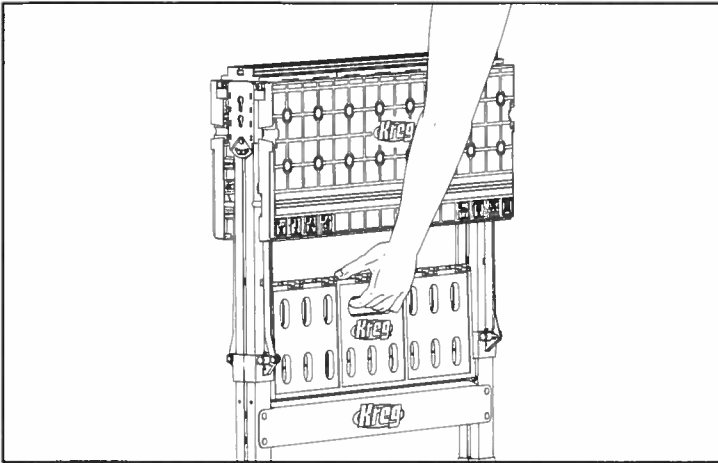
- (1) Slå ut beina.
- (2) Løft bordplatene. Pass på at alle låsebeslagene går helt i inngrep.

## OPPBEVARING



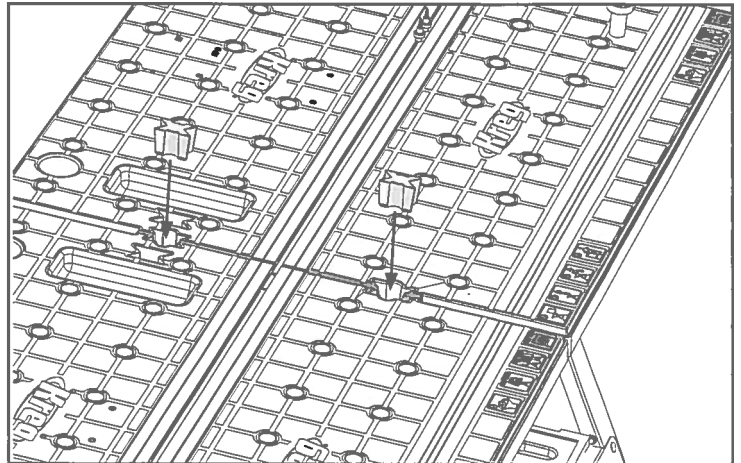
- (1) Løft flikene for å løse låsebeslagene. (2) Senk bordplatene. (3) Løft hylla. (4) Slå sammen beina.

## BÆRING



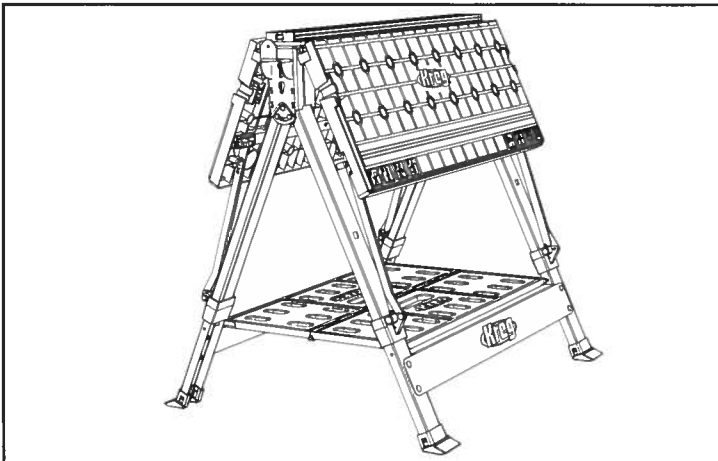
Hylla skal alltid bæres etter håndhullene slik at den ikke kan foldes ut utilsiktet.

## TILKOBLING



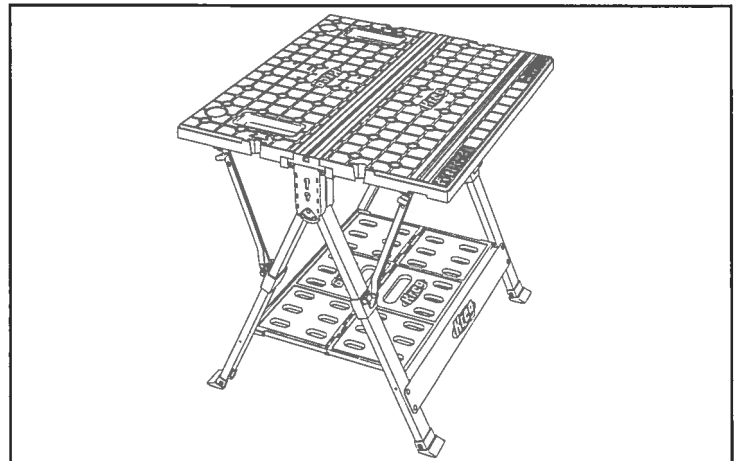
Tilkoblingsnøkene sikrer to Mobile Project Center.

## SAGBUKK



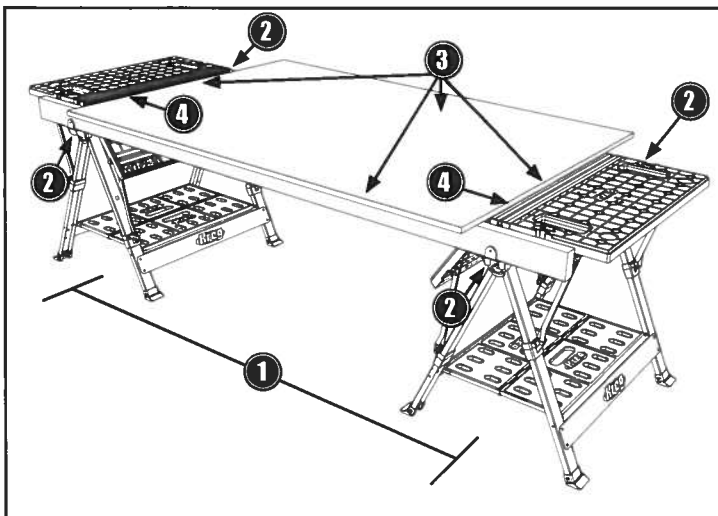
Beina slått ut, bordplatene ned

## TABELL



Beina slått ut, bordplatene opp

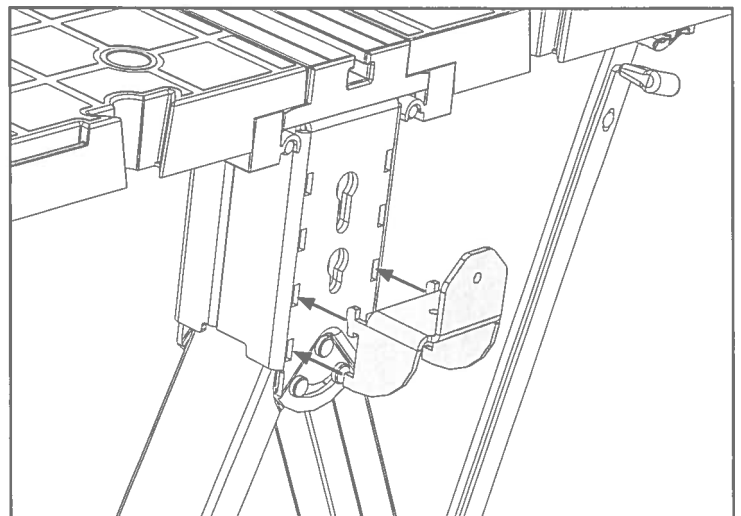
## UTSLÅTT BORD – OPPSTILLING



- (1) To Mobile Project Center plasseres maks 7 fot fra hverandre.
- (2) Støttebraketter i nedre posisjon; hvert brakettpar har én 2x4-travers.
- (3) 3/4" kryssfiner hviler på 2x4-traversene og kantene på de begge de foldede bordplatene.
- (4) Kantene på kryssfineren plasseres tett inntil begge Trak-skinne.
- (5) Fordel vekten jevnt.

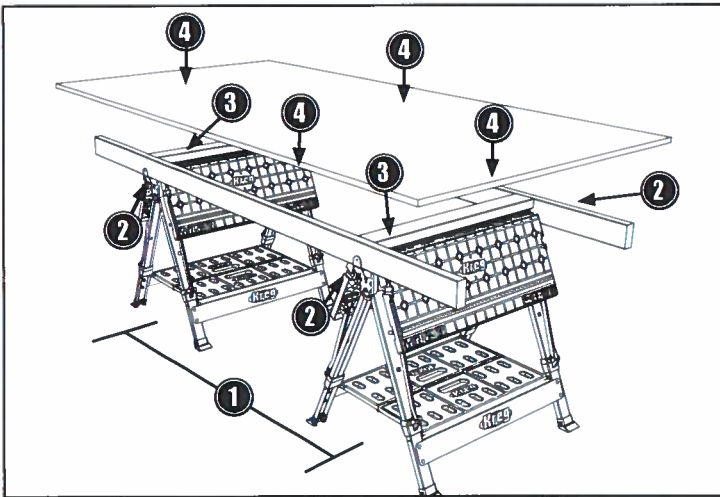
**⚠ ADVARSEL** Maks 2 200 lb [998 kg] belastning

## BRAKETTPOSISJON: UTSLÅTT BORD



Monter støttebrakettene i de nedre sporene.

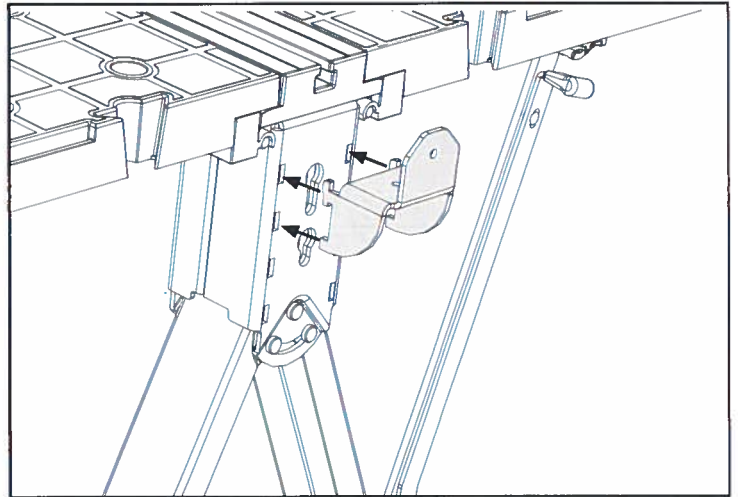
## OPPSTILLING FOR KUTTING



- (1) To Mobile Project Center plasseres maks 7 fot fra hverandre.
- (2) Støttebraketter i øvre posisjon; hvert brakettpar har én 2x4-travers.
- (3) 2x4-offertravers monteres på hver Mobile Project Center.  
(Se MONTERE 2x4-OFFERBRAKETT.)
- (4) ¼" kryssfiner hviler på 2x4-traverser og 2x4-offertraverser.
- (5) Fordel vekten jevnt.

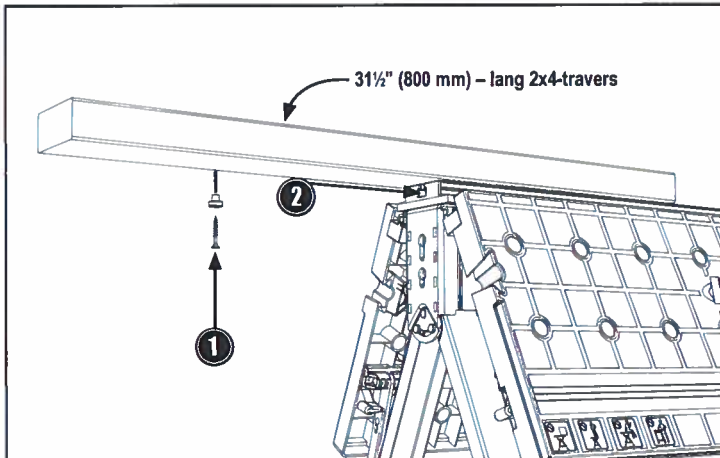
⚠ **ADVARSEL** Maks 2 200 lb [998 kg] belastning

## BRAKETTPOSISJON: OPPSTILLING FOR KUTTING



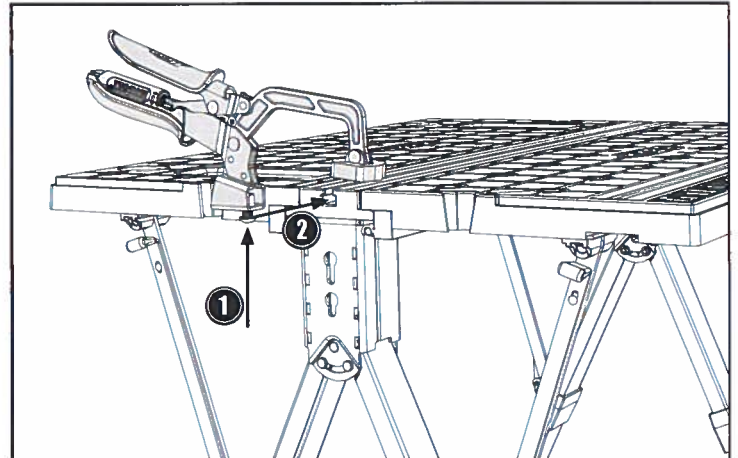
Monter støttebrakettene i de øvre sporene.

## MONTERE EN 2x4-OFFERTRAVERS



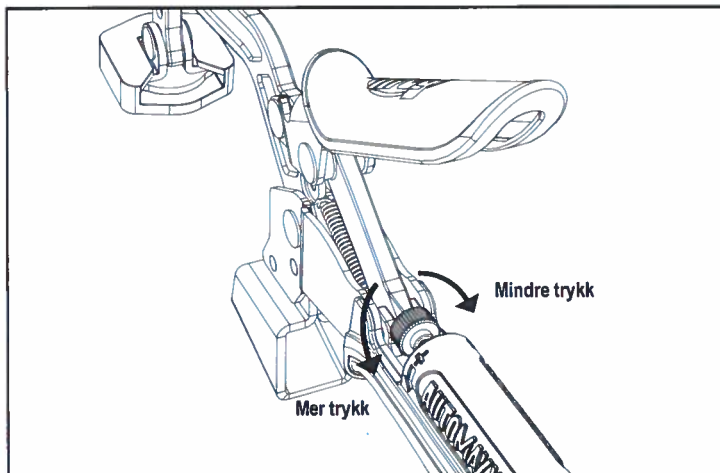
- (1) Fest Trak-bøssingene på 2x4-traversen, og (2) skyv dem inn i T-sporet.

## MONTERE BENNKLEMMEN

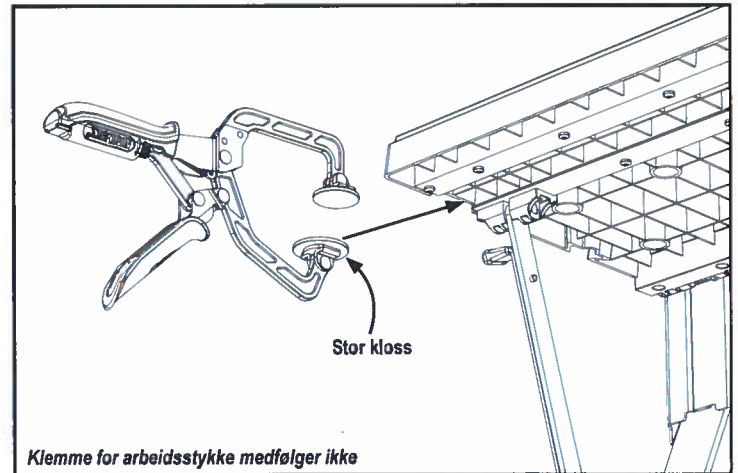


- (1) Juster ankerskruen for klemmen, og (2) skyv den inn i T-sporet.

## JUSTERE TRYKKET PÅ BENNKLEMMEN



## BRUKE EN KREG-LAMPE FOR ARBEIDSSTYKKE

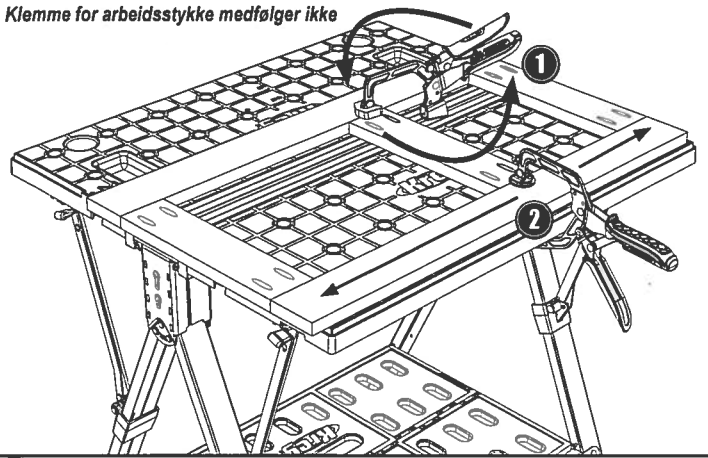


*Klemme for arbeidsstykke medfølger ikke*

Skyv den store klossen inn i T-sporet.

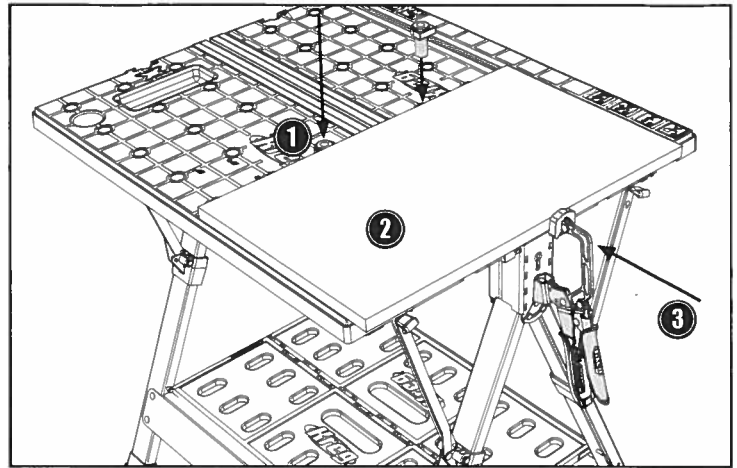
## FESTE BORDPLATEN MED KLEMMER

Klemme for arbeidsstykke medfølger ikke



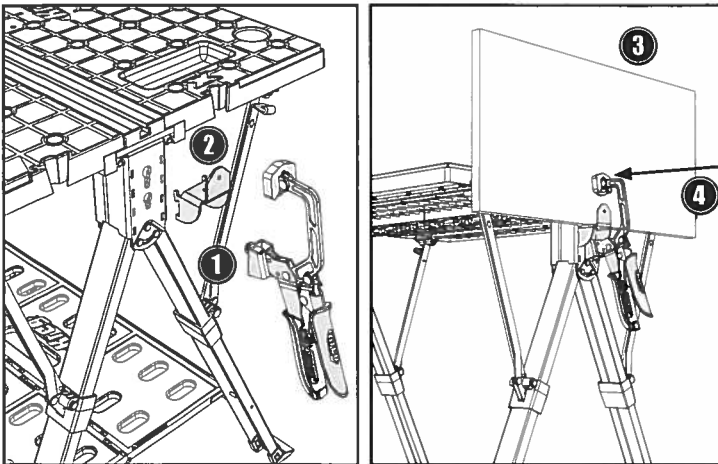
(1) Benkeklemmen kan roteres 360°. (2) Skyv en klemme for arbeidsstykke (valgfritt ekstrautstyr) langs kanten.

## FESTE MED BENKEHAKER



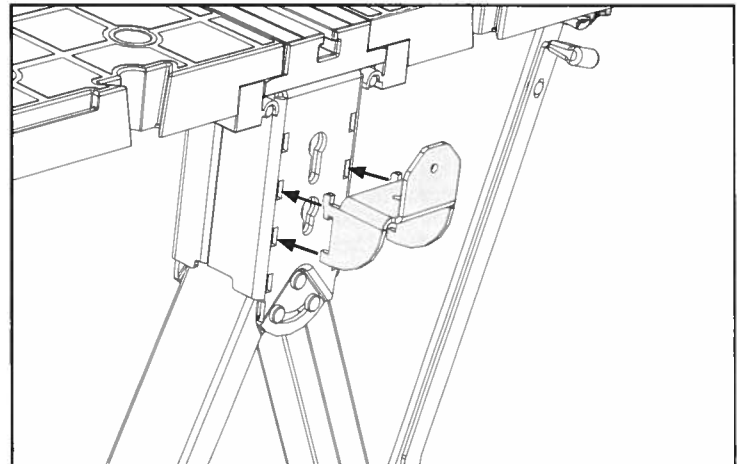
(1) Sett benkehakene i hullene, og (2) plasser arbeidsstykket og (3) klemmen.

## KLEMTVINGE



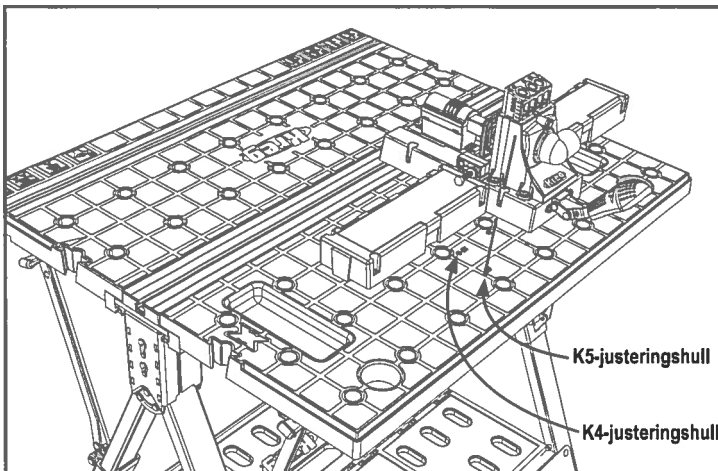
(1) Monter benkeklemmen i nedre nøkkelhullspor.  
(2) Monter støttebraketten i midtsporene.  
(3) La arbeidsstykket hvile på braketten og (4) klemmen.

## BRAKETTPOSISJON: KLEMTVINGE



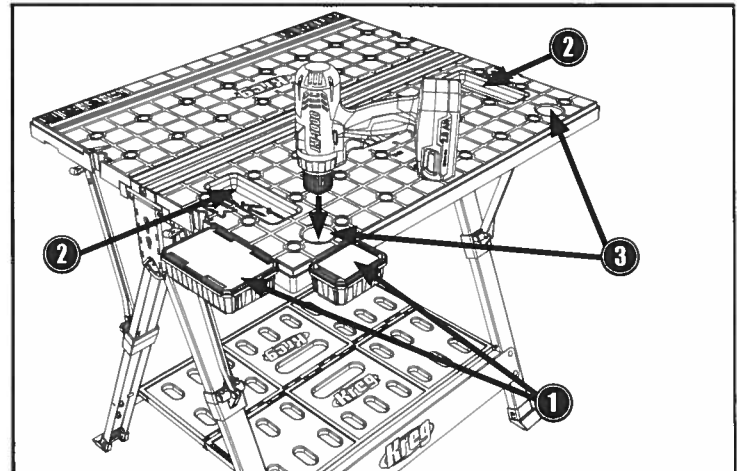
Monter støttebraketten i midtsporene.

## MONTERE EN KREG-JIGG®



Juster jiggen ut fra K4- eller K5-hullene.

## TILLEGGSFUNKSJONER



(1) Heng Kreg-skrueholdere fra kanten av bordplatene.

**! ATTENTION** Bruk kun Kreg-holdere for 100 og 250 skruer

(2) Oppbevar jernvarer i utsparingene.

(3) Med hylstre har du bor/drivhammer enkelt tilgjengelig.

# Ogólne instrukcje dotyczące bezpieczeństwa

**! OSTRZEŻENIE** Aby zmniejszyć ryzyko pożaru, porażenia prądem i obrażeń, podczas używania z tym produktem narzędzi elektrycznych należy zawsze przestrzegać instrukcji producenta narzędzia niezależnie od stosowania środków ostrożności przedstawionych poniżej. Przed rozpoczęciem używania tego produktu należy zapoznać się ze wszystkimi takimi instrukcjami. **TE INSTRUKCJE NALEŻY ZACHOWAĆ.**

## 1) Bezpieczeństwo w obszarze roboczym

- Obszar roboczy powinien być uporządkowany i dobrze oświetlony. Nieuporządkowane i ciemne miejsca sprzyjają wypadkom.
- Nie używać narzędzi elektrycznych w niebezpiecznym otoczeniu. Nie używać narzędzi elektrycznych w wilgotnym otoczeniu ani nie wystawiać ich na działanie deszczu.
- Nie używać narzędzi elektrycznych w warunkach zagrożenia wybuchem, na przykład w obecności łatwopalnych cieczy, gazów lub pyłu. Narzędzia elektryczne wytwarzają iskry, które mogą spowodować zapłon oparów lub pyłu.
- Podczas obsługi narzędzi elektrycznych dzieci oraz osoby postronne nie powinny znajdować się w pobliżu. Rozproszenie uwagi może spowodować utratę kontroli nad narzędziem.
- Warsztat należy zabezpieczyć przed dostępem dzieci. Należy używać klódek, wyłączników głównych lub wyjmować kluczyki uruchamiające.

## 2) Bezpieczeństwo elektryczne

- Narzędzia elektryczne należy uziemić. Jeśli narzędzie jest wyposażone we wtyczkę z trzema wtykami, należy ją podłączyć wyłącznie do uzziemionego gniazdka elektrycznego z trzema otworami. W razie braku odpowiedniego gniazdka należy poprosić wykwalifikowanego elektryka o jego zamontowanie. Nigdy nie usuwać trzeciego wtyku ani w żaden inny sposób nie modyfikować dostarczonej wtyczki.
- Nie narażać narzędzi elektrycznych na działanie deszczu lub wilgoci. Przedostanie się wody do wnętrza narzędzia zwiększa zagrożenie porażenia prądem elektrycznym.
- Nie używać przewodu w niewłaściwy sposób. Nigdy nie używać przewodu do przenoszenia, ciągnięcia lub wyłączania z gniazdka narzędzia elektrycznego. Przewód należy trzymać z dala od źródeł ciepła, oleju, ostrych krawędzi i ruchomych części. Uszkodzone lub zaplątane przewody zwiększają zagrożenie porażenia prądem elektrycznym.
- Używać prawidłowego przedłużacza i zawsze sprawdzać, czy jest w dobrym stanie. Używając przedłużacza, należy sprawdzić, czy jego parametry są wystarczające do przewodzenia prądu pobieranego przez urządzenie. Przewody o zbyt małych rozmiarach powodują spadki napięcia skutkujące utratą mocy i przegrzaniem. Tabela 1 zawiera poprawne przekroje przewodu w zależności od długości przewodu i natężenia prądu na tabliczce znamionowej narzędzia. W razie wątpliwości należy użyć następnego większego przekroju. Im mniejszy numer przekroju, tym większy przewód.
- W czasie używania narzędzi elektrycznych unikać kontaktu z uzziemionymi powierzchniami, takimi jak rury, grzejniki, kuchenki czy lodówki. Kontakt z uzziemioną powierzchnią zwiększa ryzyko porażenia prądem elektrycznym.

## 3) Bezpieczeństwo osobiste

- W czasie używania narzędzi elektrycznych należy zachowywać ostrożność i zwracać uwagę na to, co się robi oraz kierować się zdrowym rozsądkiem. Nie obsługiwać narzędzi elektrycznych w przypadku zmęczenia, pozostawiania pod wpływem narkotyków, alkoholu lub leków. Chwilna nieuwagi w czasie używania narzędzi elektrycznych może spowodować poważne obrażenia ciała.
- Zawsze stosować okulary ochronne. Okulary noszone na co dzień nie są okularami ochronnymi. Okulary ochronne mają specjalne szkła, oprawki i osłony boczne.
- Stosować sprzęt zabezpieczający. Stosować maski na twarz lub przeciwpyłowe, gdy operacja cięcia powoduje powstawanie pyłów. Sprzęt zabezpieczający, taki jak obuwie przeciwpoślizgowe, kask czy naszniki ochronne stosowane w odpowiednich warunkach, zmniejsza ryzyko obrażeń.
- Unikać przypadkowego uruchomienia. Przed podłączeniem przewodu zasilającego upewnić się, że przełącznik zasilania jest w pozycji wyłączenia. Przenoszenie narzędzia elektrycznego, gdy palec spoczywa na przełączniku lub podłączenie przewodu zasilającego narzędzia, którego przełącznik zasilania jest w pozycji włączenia, stwarza ryzyko wypadku.
- Przed włączeniem narzędzia elektrycznego wyjąć wszelkie klucze regulujące. Klucz pozostawiony w obracającej się części narzędzia elektrycznego może spowodować obrażenia ciała.
- Nie dokrecać nadmierną siłą. Cały czas utrzymywać kontakt stóp z podłożem i równowagę. To umożliwia lepsze panowanie nad narzędziem elektrycznym w niespodziewanych okolicznościach.
- Zabezpieczać obrabiane detale. Stosować zaciski lub imadło, gdy jest to wskazane. Jest to bezpieczniejsze niż używanie rąk, a przy tym pozostawia swobodę rąk podczas obsługi narzędzia.
- Pod żadnym pozorem nie stawać na maszynie. Potrącenie narzędzia lub przypadkowe dotknięcie narzędzia skrawającego może spowodować poważne obrażenia ciała.
- Nosić odpowiednie ubranie. Nie nosić luźnych ubrań ani biżuterii. Włosy, ubranie i rękawice trzymać z dala od ruchomych części. Luźne ubrania, biżuteria lub długie włosy mogą zostać pochwycone przez ruchome części. Długie rękawy podwijając do łokci. Nosić ochronne nakrycie głowy, aby schować pod nim długie włosy.
- Jeśli urządzenia są wyposażone w instalację do odprowadzania pyłów lub zbierania odpadów, zadbać o prawidłowe podłączenie tych instalacji. Stosowanie ich może zmniejszyć zagrożenia związane z pyłami.

## 4) Prawidłowe korzystanie z narzędzi elektrycznych

- Nie usuwać osłon i dbać o ich sprawność.
  - Nie przykładać nadmiernej siły w czasie używania narzędzia elektrycznego. Używać narzędzi odpowiednich do zastosowania. Właściwe narzędzie pozwoli lepiej i bezpieczniej wykonać pracę, jeśli będzie pracował ze wskazaną prędkością.
  - Stosować właściwe narzędzie. Za pomocą narzędzi lub końcówek nie próbować na siłę wykonać pracy, do której nie są przeznaczone.
  - Nie używać narzędzia elektrycznego, jeśli nie można go włączyć lub wyłączyć za pomocą przełącznika. Narzędzie, którym nie można sterować za pomocą przełącznika, stwarza zagrożenie i musi zostać naprawione.
  - Odłączyć wtyczkę od gniazda zasilania lub akumulator narzędzia elektrycznego przed przystąpieniem do regulacji, wymiany akcesorium lub przed odłożeniem narzędzia do schowka. Takie działania zapobiegawcze zmniejszają ryzyko przypadkowego uruchomienia narzędzia.
  - Pod żadnym pozorem nie pozostawiać bez nadzoru działającego narzędzia. Wyłączać zasilanie. Nie odchodzić od narzędzia, dopóki nie zatrzyma się całkowicie.
  - Przechowywać nieużywane narzędzia w miejscu niedostępnym dla dziecka i nie dopuszczać, aby używały ich osoby nieumiejące się nimi posługiwać lub nieznające tej instrukcji. Narzędzia elektryczne są niebezpieczne w rękach nieprzeszkolonych osób.
  - Konserwacja narzędzi elektrycznych. Sprawdzać, czy nie występują niedopasowania lub zablokowania ruchomych części, uszkodzenia części lub inne czynniki mogące wpływać na działanie narzędzia elektrycznego. W razie uszkodzenia nie używać narzędzia, tylko oddać je do naprawy. Wiele wypadków było spowodowanych używaniem narzędzi, które nie były właściwie konserwowane.
  - Narzędzia skrawające muszą być ostre i czyste. Prawidłowa konserwacja i ostrzenie narzędzia skrawającego zmniejsza prawdopodobieństwo jego zablokowania się i sprawia, że łatwiej się nim posługiwać.
  - Stosować prędkości zalecane dla narzędzia lub akcesorium i obrabianego materiału.
  - Używać jedynie części i akcesoriów zalecanych przez producenta. Zalecane akcesoria są podane w instrukcji obsługi. Stosowanie niewłaściwych akcesoriów może spowodować obrażenia ciała.
  - Używać narzędzi, akcesoriów i końcówek zgodnie z niniejszą instrukcją i w sposób zgodny z konkretnym typem narzędzia, uwzględniając warunki i rodzaj pracy do wykonania. Używanie narzędzia elektrycznego niezgodnie z przeznaczeniem może doprowadzić do wystąpienia niebezpiecznej sytuacji.
- ## 5) Serwis
- Serwisowanie narzędzia elektrycznego może być wykonywane wyłącznie przez wykwalifikowanego serwisanta i przy użyciu identycznych części zamiennych. Gwarantuje to utrzymanie bezpiecznego działania narzędzia.

## Kreg

- Przy zdejmowaniu blatów użyć obu rąk, aby chwycić blaty stołu przy zewnętrznych rogach i pociągnąć do góry. Upewnić się, że klamry są w pełni zacisnięte.
- Przy składaniu blatów stołu używać obu rąk, chwytając dźwignie zwalniające klamry. Pociągnąć dźwignie do góry i nacisnąć blat w dół. Nie zbliżać rąk do miejsc, w których mogłyby zostać ściśnięte.
- Zawsze pracować na suchej poziomej powierzchni.
- W czasie używania narzędzi elektrycznych na przenośnym centrum roboczym przestrzegać instrukcji bezpieczeństwa producenta narzędzia.
- Aby nie dopuścić do przechylenia się narzędzia, zawsze mocować stacjonarne narzędzia elektryczne wyśrodkowane względem kanału prowadzącego zacisku.
- W przypadku używania dwóch przenośnych centrów roboczych w trybie Grid zaleca się stosowanie jednej lub dwóch skrzyżowanych belek 2 x 4 cale w celu zapewnienia dodatkowego mocowania.
- Przenośne centrum robocze nie jest przeznaczone do użytku na wolnym powietrzu w wilgotnym otoczeniu.
- Przenośne centrum robocze należy przechowywać w zamkniętym pomieszczeniu lub w miejscu odizolowanym od wpływu warunków pogodowych.
- Nie siadać ani nie stawać na przenośnym centrum roboczym, ani nie używać go jako podwyższenia względnie do jakichkolwiek celów niezgodnych z przeznaczeniem przedstawionym w niniejszej instrukcji obsługi.
- Nie stawać na półce.
- Nie wieszać niczego na przenośnym centrum roboczym, z wyjątkiem sytuacji opisanych w niniejszej instrukcji obsługi.



# Ogólne instrukcje dotyczące bezpieczeństwa

## Wskazówki dotyczące używania przedłużacza

Przedłużaczy można używać wyłącznie tymczasowo. Nie można ich traktować jako środka pozwalającego zrezygnować z montażu wymaganych gniazdek i prawidłowego okablowania.

### W sklepie i na budowach:

- Należy zawsze używać przedłużaczy z uziemieniem.
- Przedłużacze należy chronić przed uszkodzeniem i nie prowadzić ich przez drzwi ani okna, które mogą się zamknąć i uszkodzić przewód.
- Przedłużacze muszą mieć rozmiar co najmniej 16 AWG i wartości znamionowe napięcia i natężenia odpowiednie dla używanego urządzenia.
- Przedłużacze należy okresowo sprawdzać pod kątem nienaruszenia izolacji i przewodnictwa przewodów.
- Przedłużaczy nie wolno prowadzić przez wodę; złącza nie mogą być narażone na działanie gromadzącej się wody.

TABELA 1

Tabliczka znamionowa: natężenia przy 120 V	Długość przedłużacza					
	25'	50'	75'	100'	150'	200'
	Zalecany przekrój przewodu					
0 - 5	16	16	16	14	12	12
5,1 - 8	16	16	14	12	10	NZ
8,1 - 12	14	14	12	10	NZ	NZ
12,1 - 16	12	12	NZ	NZ	NZ	NZ

NZ — niezalecany



### ZAGROŻENIE PORAŻENIA PRĄDEM ELEKTRYCZNYM

Metalowe części produktu przewodzą prąd elektryczny. Należy unikać sytuacji powodujących powstanie styku elektrycznego. Nieprawidłowo uziemione narzędzia elektryczne grożą porażeniem prądem, które może doprowadzić do poważnych obrażeń lub śmierci. Szczególnie niebezpieczne jest używanie narzędzi w wilgotnym otoczeniu, w pobliżu instalacji wodociągowej lub uziemionych powierzchni lub na zewnątrz budynków.

**! OSTRZEŻENIE** Pył powstający w wyniku piaskowania, piłowania, szlifowania, wiercenia i innych prac budowlanych może zawierać związki chemiczne, które w stanie Kalifornia uznano za powodujące raka, wady wrodzone lub inne zagrożenia reprodukcyjne. Przykładami takich substancji chemicznych są:

- ołów z farb na bazie ołowiu;
- krzemionka krystaliczna z cegieł, cementu i innych produktów murarskich;
- arsen i chrom z drewna poddanego obróbce chemicznej.

Narażenie na działanie tych związków chemicznych zależy od częstości wykonywania odpowiednich prac. Aby zmniejszyć to narażenie, należy pracować w miejscach o dobrej wentylacji i używać zatwierzonego sprzętu ochronnego, np. masek służących do filtrowania mikrocząstek.

## Objaśnienie symboli bezpieczeństwa umieszczonych na przenośnym centrum roboczym



Nie stosować nierównoważonego obciążenia



Nie stać na przenośnym centrum roboczym.



Nie siadać na przenośnym centrum roboczym.



Nie stać na półce.



Zawsze stosować ochronę oczu.



Maksymalne obciążenie przy rozłożonych obu blatach: 158 kg (350 funtów) równomiernie rozłożone, na jednym blacie 45 kg (100 funtów) równomiernie rozłożone.



Maksymalne obciążenie dwóch przenośnych centrów roboczych przy nierozłożonych pulpitych: 997 kg (2 200 funtów).



Maksymalne obciążenie półki 11 kg (25 funtów).

## Ograniczona gwarancja na przenośne centrum robocze Kreg

Kreg Tool Company gwarantuje wyłącznie pierwszemu nabywcy, że przez okres trzech (3) lat w urządzeniu Kreg Mobile Project Center nie wystąpią wady materiałowe ani produkcyjne. Jeśli w tym okresie gwarancyjnym ujawnią się jakieś wady, Kreg Tool Company według własnego uznania naprawi lub wymieni taki wadliwy produkt (lub jego część składową). Niniejsza gwarancja ma zastosowanie wyłącznie do produktów, które były używane zgodnie ze wszystkimi instrukcjami podanymi w katalogach, podręcznikach lub instrukcjach obsługi dostarczonych przez Kreg Tool Company.

Niniejsza gwarancja zaczyna obowiązywać tylko wtedy, gdy pierwszy nabywca całkowicie i prawidłowo wypełni rejestracyjny formularz online ([www.kregtool.com](http://www.kregtool.com)) lub zarejestruje się za pośrednictwem działu obsługi klienta firmy Kreg Tool Company (tel.: 1-800-447-8638).

Gwarancja ulega anulowaniu, jeśli produkt (1) był niewłaściwie używany lub przechowywany; (2) brał udział w wypadku, został zaniedbany, zniszczony lub znalazł się w warunkach pozostających poza kontrolą Kreg Tool Company; (3) został zmodyfikowany, rozmontowany, zmieniony lub naprawiony bez zgody Kreg Tool Company; (4) został przekazany osobie niebędącej pierwszym nabywcą. Niniejsza gwarancja nie ma zastosowania do zwykłego zużycia, korozji, otarcia i napraw wynikających z naturalnych przyczyn lub działania siły wyższej.

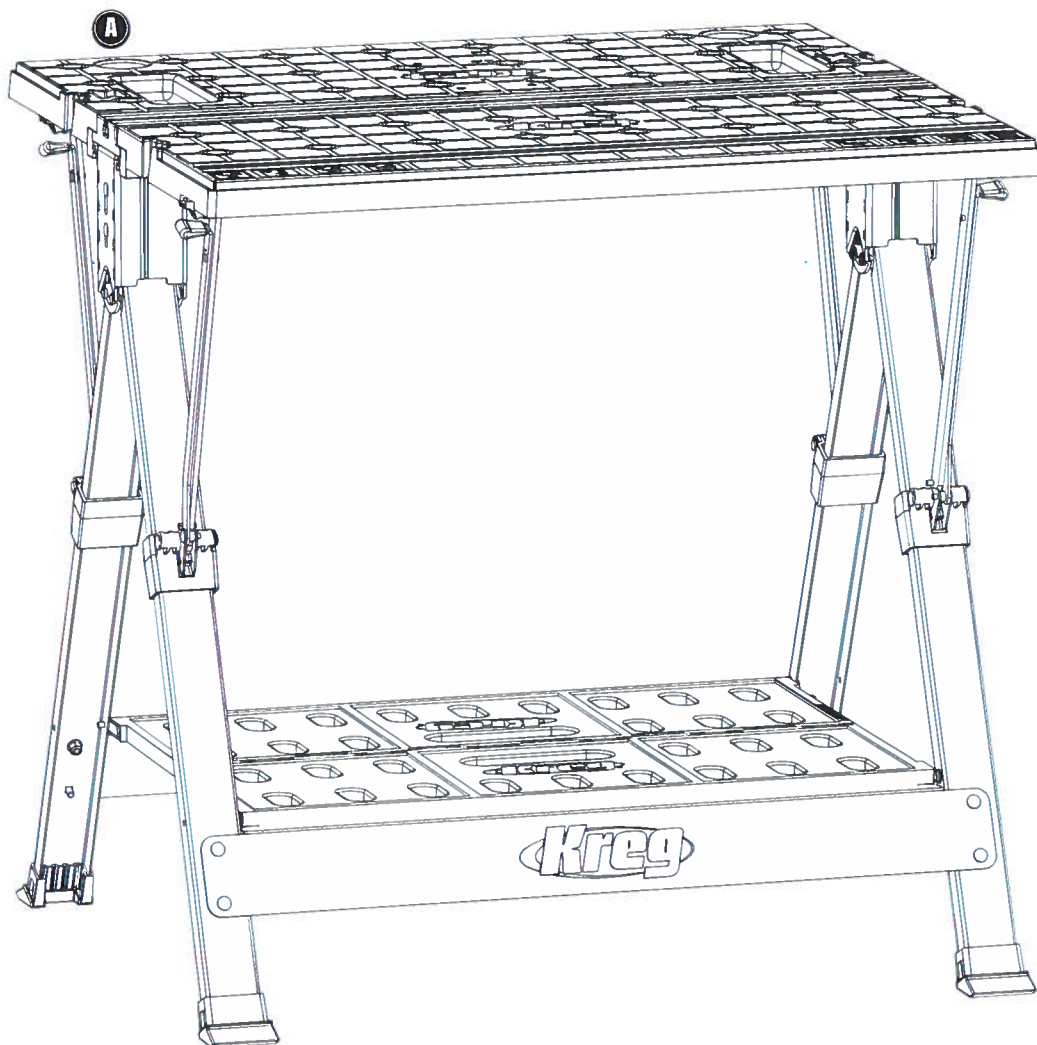
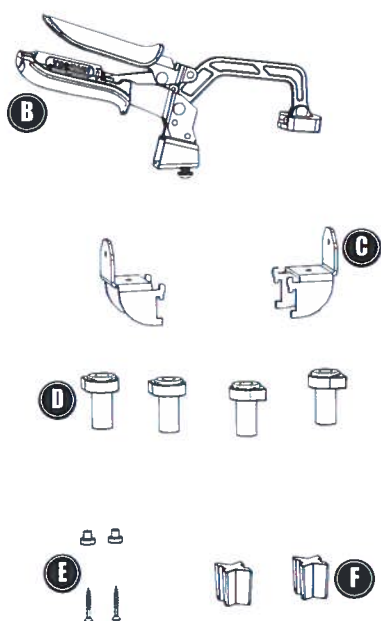
Jest to jedyna gwarancja udzielana przez Kreg Tool Company. Jakikolwiek i wszelkie gwarancje wynikające z przepisów prawa, w tym gwarancje dotyczące wartości handlowej lub przydatności do konkretnych celów, są ograniczone do czasu obowiązywania niniejszej gwarancji. Kreg Tool Company nie ponosi odpowiedzialności z tytułu strat, zniszczeń lub wydatków bezpośrednio lub pośrednio związanych z używaniem niniejszych produktów lub z jakichkolwiek innych przyczyn lub z tytułu szkód następujących (w tym między innymi utraty czasu, niedogodności lub utraty produkcji). Niniejsza gwarancja nie może być modyfikowana i w imieniu Kreg Tool Company nie można udzielać jakiegokolwiek innej wyraźnej lub dorozumianej gwarancji.

Poniższa informacja może być przydatna w przypadku konieczności zgłoszenia roszczenia gwarancyjnego. Do pełnej dokumentacji należy dołączyć dokument zakupu.

Data zakupu \_\_\_/\_\_\_/\_\_\_

Sprzedawca: \_\_\_\_\_

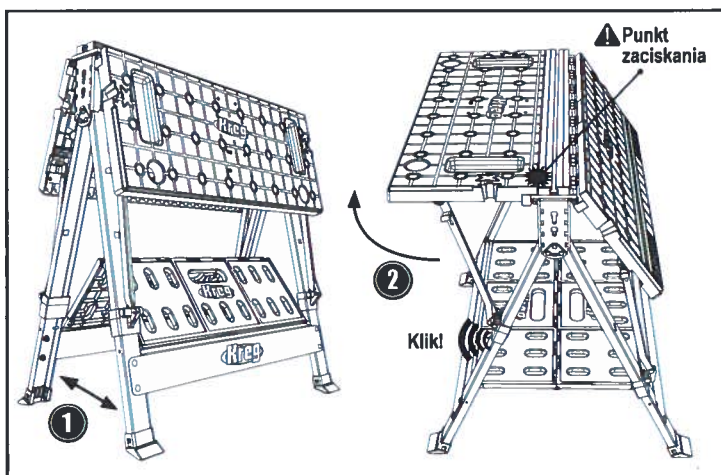
# CZĘŚCI



## Dołączone elementy:

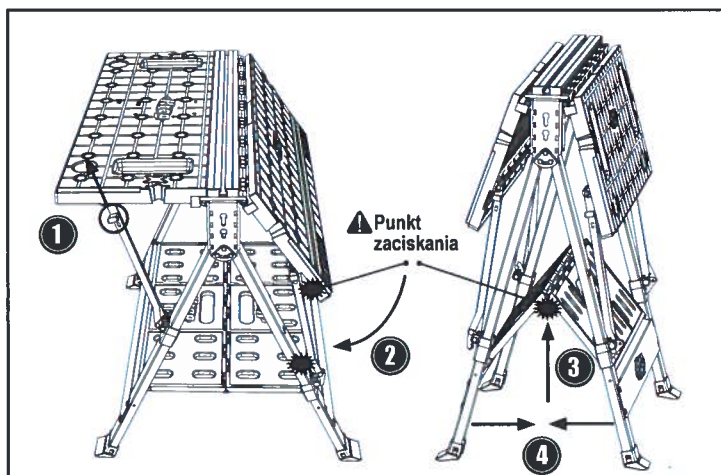
- (A) Przenośne centrum robocze
- (B) 3-calowy zacisk warsztatowy z mechanizmem Automaxx®
- (C) Wsporniki montażowe (2)
- (D) Kołki warsztatowe Kreg® (4)
- (E) Tuleje prowadzące (2) i wkręty (2)
- (F) Klucze łączące (2)

## ROZKŁADANIE



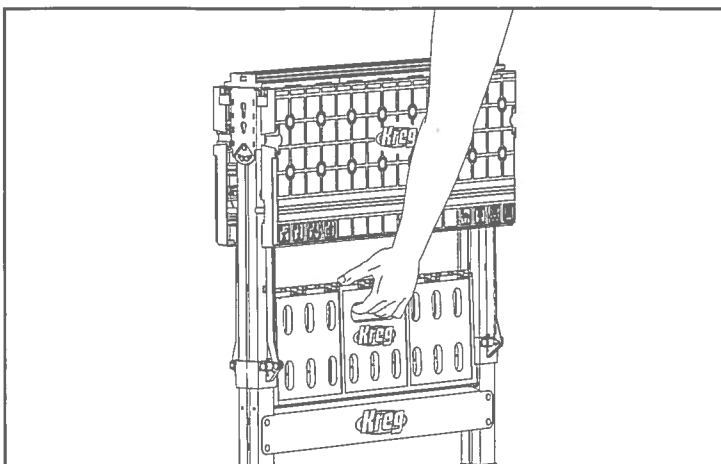
- (1) Rozłożyć nogi.
- (2) Podnieść blaty stołu. Upewnić się, że wszystkie zaciski klamer są zamknięte.

## SKŁADANIE



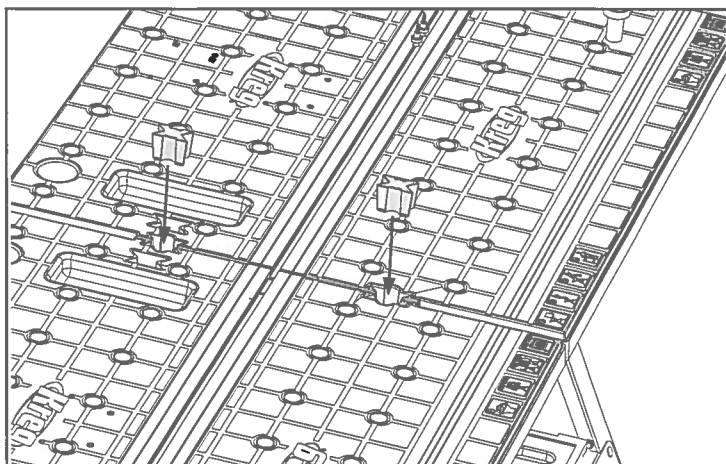
- (1) Podnieść dźwignie, aby rozłączyć zaciski klamer. (2) Opuścić blaty stołu. (3) Podnieść półkę. (4) Złożyć nogi.

## PRZENOSZENIE



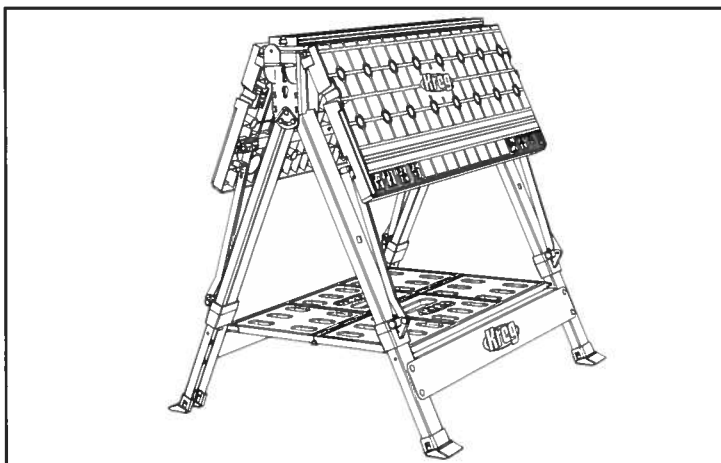
Aby nie dopuścić do przypadkowego rozłożenia, przenosząc stół, umieszczają palec w otworach w półce.

## ŁĄCZENIE



Klucze łączące mocują dwa przenośne centra robocze.

## KOZIOŁ DO PIŁOWANIA



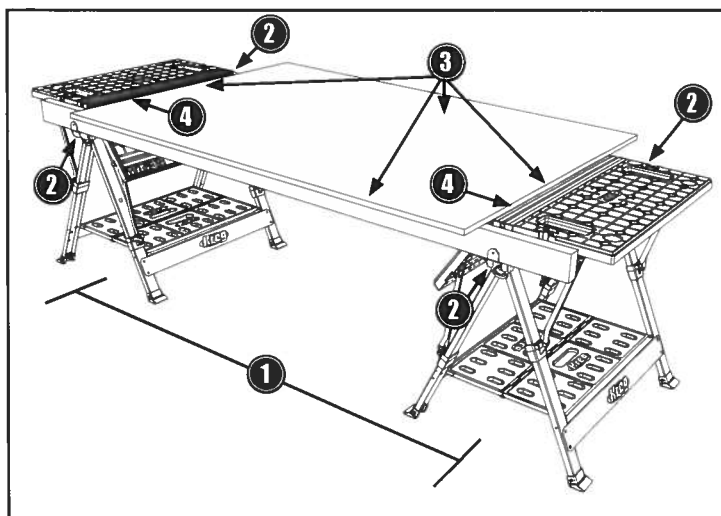
Nogi rozłożone, blaty stołu opuszczone

## STÓŁ



Nogi rozłożone, blaty stołu podniesione

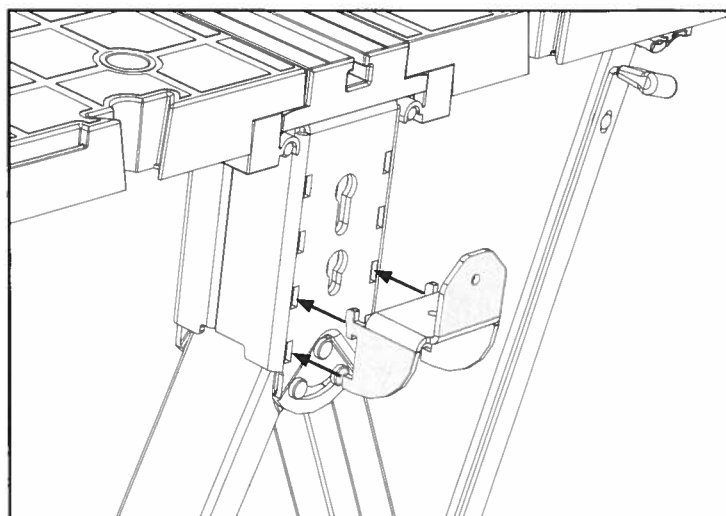
## PRZYGOTOWANIE SZEROKIEGO STOŁU



- (1) Dwa przenośne centra robocze oddalone od siebie o maksymalnie o 2,1 m (7 stóp).
- (2) Wsporniki montażowe w dolnym położeniu, jedna belka o wymiarach 2 x 4 cale w każdej parze wsporników.
- (3) Sklejka o grubości 3/4 cala ułożona na belkach o wymiarach 2 x 4 cala na krawędzi dzielącej oba złożone blaty stołu.
- (4) Krawędzie sklejki ściśle przylegają do obu zacisków prowadzących.
- (5) Równomierne rozłożenie ciężaru.

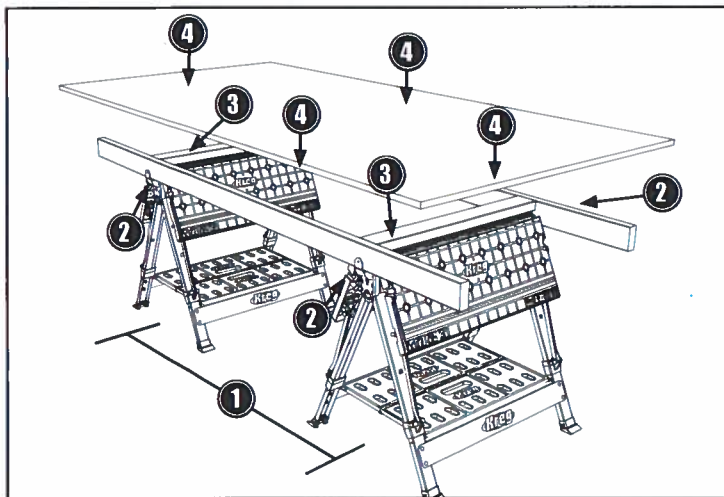
**⚠ OSTRZEŻENIE** Maksymalne obciążenie wynosi 998 kg (2 200 funtów)

## POŁOŻENIE WSPORNIKA: SZEROKI STÓŁ



Zamontować wsporniki w dolnych gniazdach.

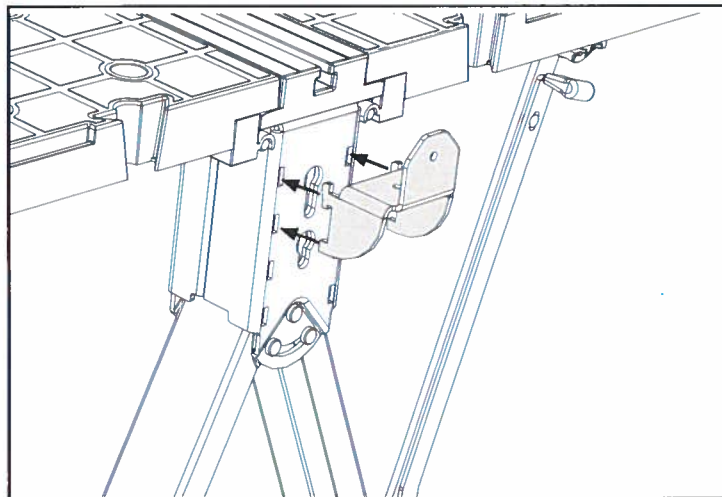
## OPCJA DO CIĘCIA



- (1) Dwa przenośne centra robocze oddalone od siebie o maksymalnie 0,21 m (7 stóp).
- (2) Wsporniki montażowe w górnym położeniu, jedna belka o wymiarach 2 x 4 cale w każdej parze wsporników.
- (3) Belka zabezpieczająca 2 x 4 cale zamontowana w każdym przenośnym centrum roboczym. (Zob. MONTAŻ BELKI ZABEZPIECZAJĄCEJ 2 X 4 CALA).
- (4) Sklejka o grubości ¼ cala leży na belkach i belkach zabezpieczających 2 x 4 cale.
- (5) Równomierne rozłożenie ciężaru.

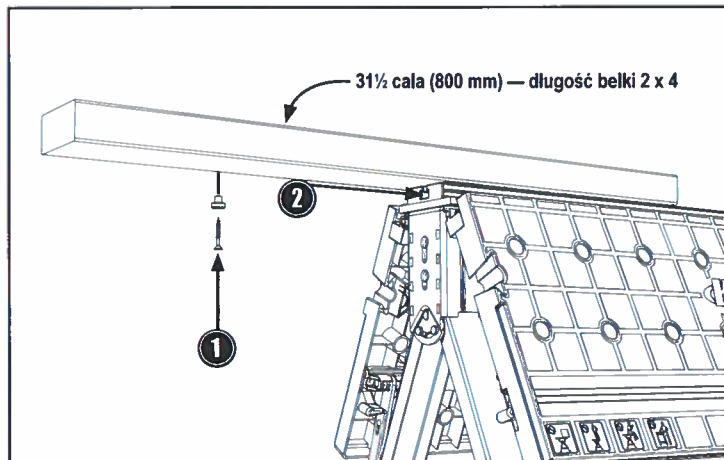
**! OSTRZEŻENIE** Maksymalne obciążenie wynosi 998 kg (2 200 funtów)

## POŁOŻENIE WSPORNIKA: OPCJA DO CIĘCIA



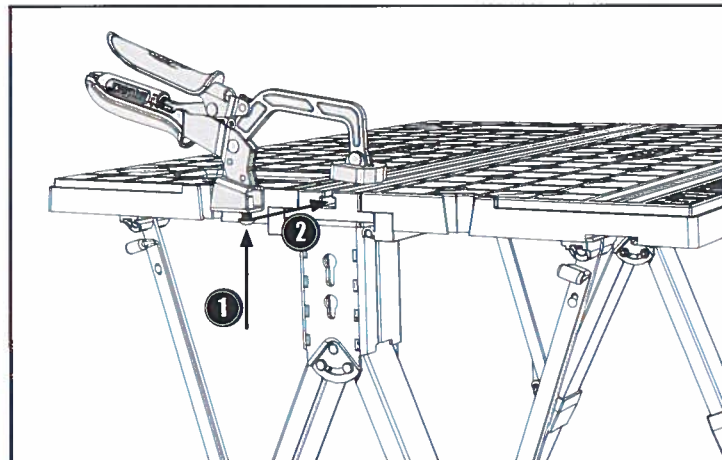
Zamontować wsporniki w górnych gniazdach.

## MONTAŻ BELKI ZABEZPIECZAJĄCEJ 2 X 4 CALA



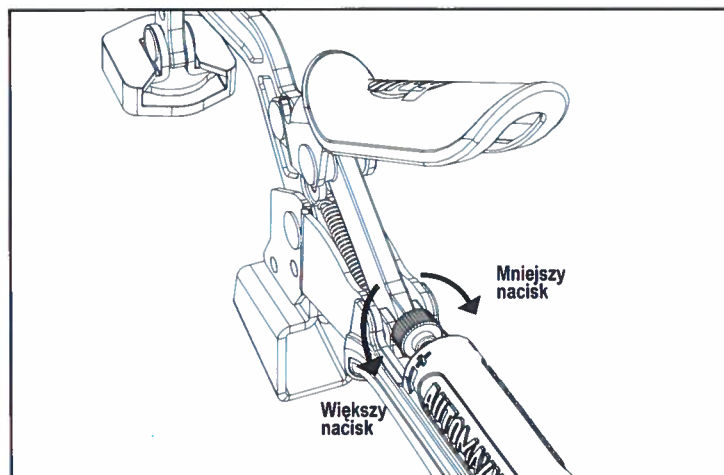
- (1) Umocować tuleje prowadzące do belki 2 x 4 i (2) wsunąć je do gniazda w kształcie litery T.

## MONTAŻ ZACISKU WARSZTATOWEGO

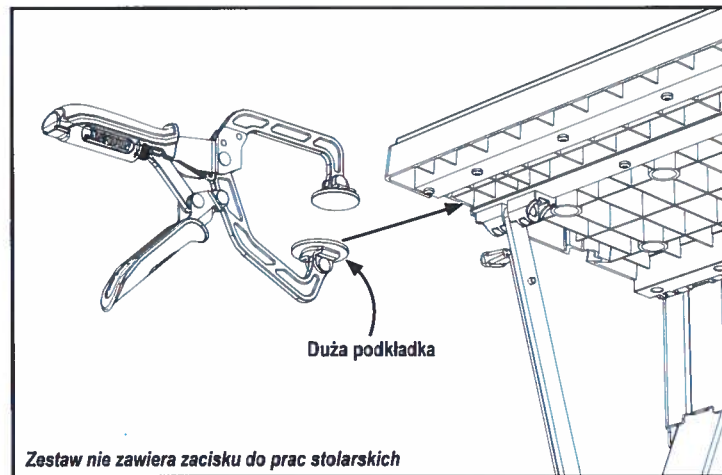


- (1) Wyregulować wkręt mocujący zaciski i (2) wsunąć go do gniazda w kształcie litery T.

## REGULACJA SIŁY NACISKU ZACISKU WARSZTATOWEGO



## UŻYWANIE ZACISKU KRĘG DO PRAC STOLARSKICH

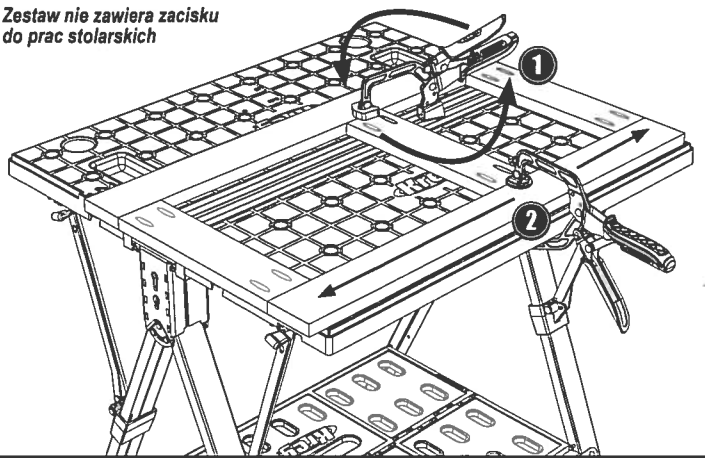


Zestaw nie zawiera zacisku do prac stolarskich

Wsunąć dużą podkładkę do gniazda w kształcie litery T.

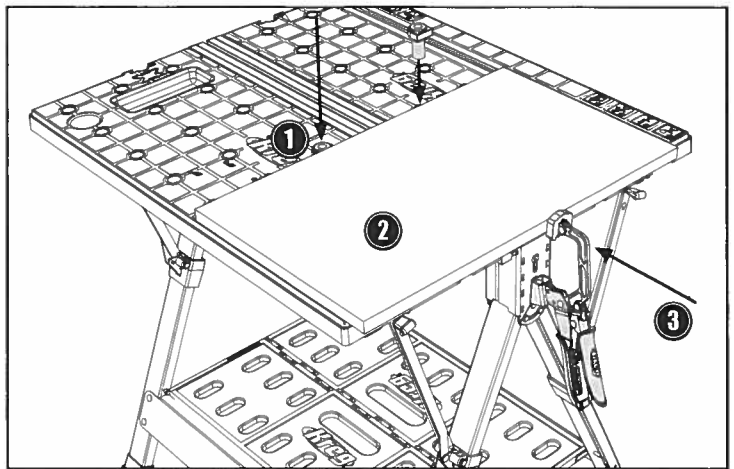
## MOCOWANIE W ZACISKU NA BLACIE

Zestaw nie zawiera zacisku do prac stolarskich



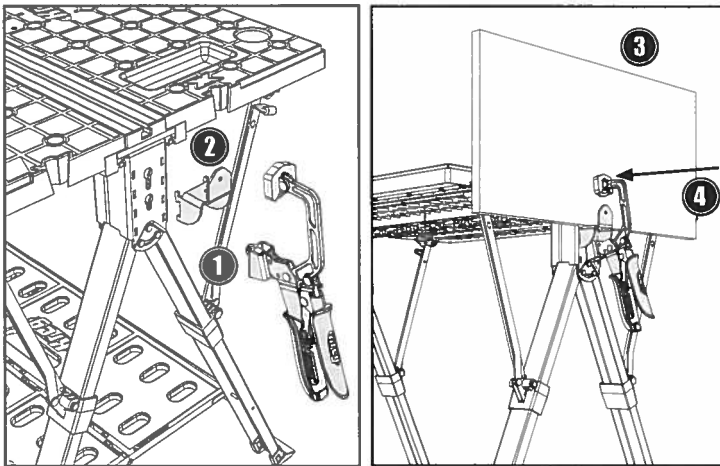
(1) Zacisk warsztatowy obraca się o 360°. (2) Wsunąć zacisk do prac stolarskich (akcesorium opcjonalne) w dowolnym miejscu na brzegu.

## MOCOWANIE W ZACISKU ZA POMOCĄ KOŁEK WARSZTATOWYCH



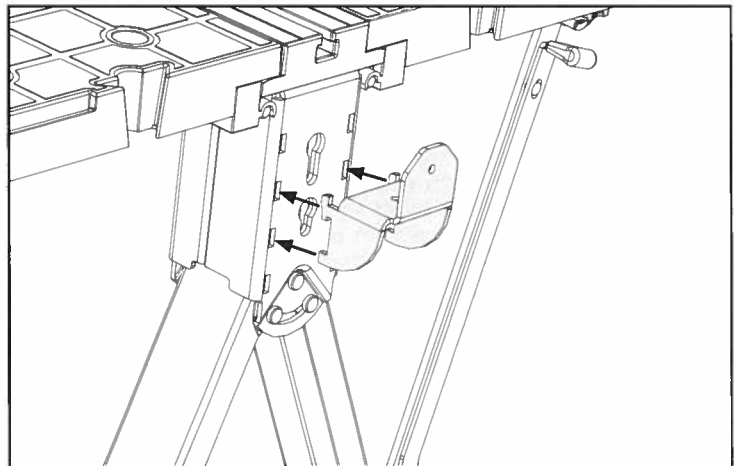
(1) Włożyć kołki warsztatowe do otworów. (2) ustawić obrabiany element i (3) zacisnąć.

## ZACISKANIE W IMADLE



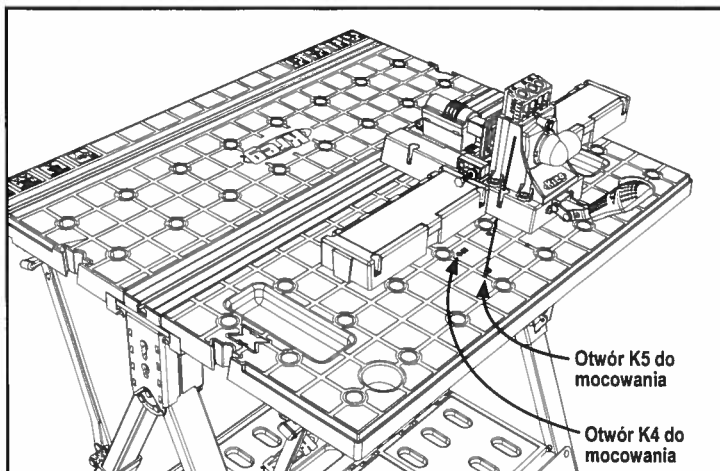
(1) Zamontować zacisk warsztatowy w dolnym otworze.  
(2) Zamontować wspornik w środkowych otworach.  
(3) Ułożyć obrabiany element na wsporniku i (4) zacisnąć.

## POŁOŻENIE WSPORNIKA: ZACISKANIE W IMADLE



Zamontować wspornik w środkowych otworach.

## MONTAŻ PRZYRZĄDU KREG JIG®

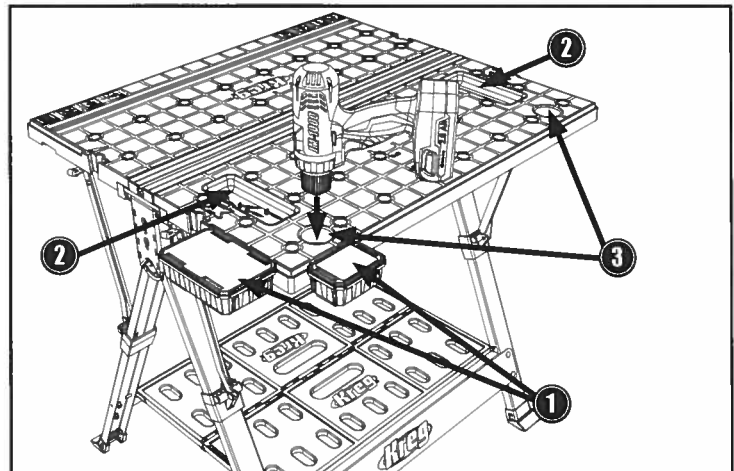


Otwór K5 do mocowania

Otwór K4 do mocowania

Dopasować uchwyt narzędziowy do odpowiednich otworów K4 lub K5.

## DODATKOWE FUNKCJE



(1) Zawiesić pojemniki Kreg na wkręty na brzegach blatów.

**UWAGA** Można zawieszać jedynie pojemniki Kreg na 100 i 250 wkrętów

(2) Sprzęt przechowywać na wsuwanych półkach.

(3) Uchwyty na wiertła pozwalają na wygodne przechowywanie narzędzi.

# Instruções Gerais de Segurança

**!** **AVISO** Ao utilizar ferramentas elétricas com este produto, respeite sempre as instruções do fabricante e as precauções de segurança *abaixo* para reduzir o risco de incêndio, choque elétrico e lesões pessoais. Leia todas as instruções antes de tentar operar o produto. **GUARDE ESTAS INSTRUÇÕES.**

## 1) Segurança da área de trabalho

- Mantenha a área de trabalho limpa e bem iluminada. Áreas desorganizadas ou escuras são um convite aos acidentes.
- Não utilize ferramentas elétricas em ambientes perigosos. Não utilize ferramentas elétricas em zonas húmidas ou molhadas, nem as exponha à chuva.
- Não opere ferramentas elétricas em atmosferas explosivas, como na presença de líquidos, gases ou poeiras inflamáveis. As ferramentas elétricas criam faíscas que podem inflamar os fumos ou poeiras.
- Mantenha as crianças e outras pessoas afastadas enquanto opera uma ferramenta elétrica. As distrações podem fazê-lo perder o controlo da ferramenta.
- Torne a sua oficina à prova de crianças. Use cadeados, interruptores principais ou chaves de arranque.

## 2) Segurança elétrica

- Ligue as ferramentas elétricas à terra. Se a ferramenta estiver equipada com uma ficha de três pontas, deve ser ligada a uma tomada elétrica de três aberturas com ligação à terra. Se não dispuser de uma tomada adequada, solicite a instalação de uma por um electricista qualificado. Nunca retire a terceira ponta nem modifique a ficha fornecida.
- Não exponha as ferramentas elétricas a chuva nem as condições molhadas. A penetração de água numa ferramenta elétrica aumentará o risco de choque elétrico.
- Trate o cabo de alimentação com cuidado. Nunca utilize o cabo para transportar, puxar ou desligar a ferramenta elétrica. Mantenha o cordão afastado do calor, óleo, superfícies aguçadas ou peças em movimento. Cabos danificados ou emaranhados aumentam o risco de choque elétrico.
- Utilize um cabo de extensão adequado e verifique se está em boas condições. Ao utilizar um cabo de extensão, assegure-se que escolhe um suficientemente pesado para suportar a corrente de alimentação necessária à ferramenta. Um cabo com o tamanho errado provoca uma queda na tensão de alimentação que, por sua vez, causa perda de energia e sobreaquecimento. A Tabela 1 mostra o calibre correto para o cabo a utilizar consoante o comprimento do cabo e a placa de amperagem da ferramenta. Em caso de dúvida, opte pelo calibre mais pesado. Quanto mais baixo for o número do calibre, mais pesado é o cabo.
- Ao operar ferramentas elétricas, evite o contacto do corpo com superfícies ligadas à terra ou aterradas, como canos, radiadores, equipamentos de cozinha ou frigoríficos. O contacto com uma superfície ligada à terra aumenta o risco de choque elétrico.

## 3) Segurança pessoal

- Mantenha-se alerta, tenha atenção ao que está a fazer e use o senso comum ao operar uma ferramenta elétrica. Não utilize uma ferramenta elétrica se estiver cansado ou sob a influência de drogas, álcool ou medicação. Um momento de descuido enquanto opera uma ferramenta elétrica pode provocar lesões pessoais graves.
- Utilize sempre óculos de segurança. Os óculos de uso diário não são óculos de segurança. Os óculos de segurança têm lentes, armações e proteções laterais especialmente construídas.
- Utilize equipamento de segurança. Utilize uma máscara de rosto ou de poeiras sempre que a operação de corte provocar poeiras. O equipamento de segurança, como a máscara de poeiras, calçado de segurança antiderrapagem, capacete rígido ou proteção auditiva, utilizado em condições adequadas, reduz as lesões pessoais.
- Evite arranques acidentais. Verifique se o interruptor está na posição de desligado antes de ligar a alimentação elétrica. Transportar ferramentas elétricas com o dedo no interruptor ou ligar à alimentação elétrica com o interruptor na posição ligado são um convite aos acidentes.
- Remova eventuais chaves de ajustes ou outras antes de ligar a ferramenta elétrica. Uma chave esquecida numa peça rotativa da ferramenta elétrica pode provocar lesões pessoais.
- Não tente alcançar além dos limites. Mantenha uma base e o equilíbrio adequados em todos os momentos. Isto permite um melhor controlo da ferramenta elétrica em situações inesperadas.
- Fixe as peças de trabalho. Utilize grampos ou um torno para segurar o trabalho quando possível. É mais seguro do que utilizar a sua mão e deixa ambas as mãos livres para operar a ferramenta.
- Nunca se ponha em cima da máquina. Lesões graves podem ocorrer se a ferramenta se inclinar ou se tocar sem intenção na ferramenta de corte.
- Use vestuário adequado. Não use roupas largas nem joias. Mantenha o cabelo, o vestuário e as luvas afastados de peças em movimento. Roupas largas, joias ou cabelos compridos podem ficar presos nas peças em movimento. Arregace mangas compridas até aos cotovelos. Cubra e prenda cabelos compridos.
- Caso sejam fornecidos dispositivos para a ligação do equipamento

de extração e recolha de poeiras, assegure-se de que estes são ligados e utilizados corretamente. A utilização destes dispositivos pode reduzir os perigos relacionados com a poeira.

## 4) Utilização e cuidado da ferramenta elétrica

- Mantenha as proteções no local e em funcionamento.
- Não force a ferramenta elétrica. Utilize a ferramenta elétrica correta para a sua aplicação. A ferramenta elétrica correta fará o trabalho melhor e de forma mais segura, ao ritmo para o qual foi concebida.
- Utilize a ferramenta certa. Não force uma ferramenta ou acessório para realizar um trabalho para o qual não foi concebido.
- Não utilize a ferramenta elétrica se a mesma não puder ser ligada ou desligada pelo interruptor. Qualquer ferramenta que não possa ser controlada através do interruptor é perigosa e deve ser reparada.
- Desligue a ficha da alimentação elétrica e/ou da bateria da ferramenta elétrica antes de proceder a ajustes, substituição de acessórios ou de a guardar. Estas medidas de segurança reduzem o risco de arranque acidental da ferramenta elétrica.
- Nunca deixe uma ferramenta a funcionar sem supervisão. Desligue a alimentação elétrica. Não abandone a ferramenta sem que esta pare totalmente.
- Guarde ferramentas elétricas inativas fora do alcance das crianças e não permita que pessoas que não estejam familiarizadas com as mesmas e com estas instruções operem as ferramentas elétricas.

As ferramentas elétricas são perigosas nas mãos de utilizadores inexperientes.

- Veja pela manutenção das ferramentas elétricas. Verifique o desalinhamento ou aglutinação de peças móveis, peças partidas e outras situações que possam afetar a operação da ferramenta elétrica. Caso esteja danificada, a ferramenta elétrica tem de ser reparada antes de ser utilizada. Muitos acidentes são provocados por ferramentas elétricas com uma fraca manutenção.

- Mantenha as ferramentas de corte afiadas e limpas. Ferramentas de corte bem mantidas, com superfícies de corte afiadas, têm menores probabilidades de dobrar e são mais fáceis de controlar.
  - Utilize a velocidade recomendada para a ferramenta de corte ou acessório e a peça de trabalho.
  - Utilize exclusivamente peças e acessórios recomendados pelo fabricante. Veja os acessórios recomendados no manual do utilizador. A utilização de acessórios desadequados pode provocar lesões pessoais.
  - Utilize a ferramenta elétrica, os acessórios e pontas em conformidade com estas instruções e da forma prevista para o tipo de ferramenta elétrico específico, tendo em consideração as condições de trabalho e as tarefas a desempenhar. A utilização da ferramenta elétrica para fins diferentes dos previstos pode provocar uma situação de perigo.
- ## 5) Reparação
- A ferramenta elétrica deve ser reparada por técnicos qualificados, utilizando apenas peças de substituição idênticas. Isto garante a manutenção da segurança da ferramenta elétrica.

## 6) Instruções de segurança específicas da Bancada de Trabalho Portátil Kreg

- Ao instalar os tampos da mesa, use as duas mãos para os segurar pelos cantos exteriores e puxar para cima. Verifique se os suportes ficam totalmente encaixados.
- Ao dobrar os tampos da mesa, use as duas mãos para segurar as linguetas de libertação dos suportes. Puxe as linguetas para cima e empurre os tampos da mesa para baixo. Mantenha as mãos afastadas de pontos onde possam ficar entaladas.
- Trabalhe sempre numa superfície seca e nivelada.
- Ao utilizar ferramentas elétricas com a Bancada de Trabalho Portátil, respeite as instruções de segurança do fabricante da ferramenta.
- Para evitar inclinações, monte sempre as ferramentas de bancada centradas no torno.
- Ao utilizar duas bancadas de trabalho portáteis em modo de rede, recomenda-se a utilização de um ou dois tirantes 2 x 4 para um reforço adicional.
- A Bancada de Trabalho Portátil não se destina a ser utilizada ao ar livre, em condições de humidade.
- Guarde sempre a Bancada de Trabalho Portátil no interior ou numa área protegida das condições meteorológicas.
- Não se sente, não suba para cima nem utilize a Bancada de Trabalho Portátil como andaime nem para qualquer outro fim não indicado no presente manual.
- Não suba para a prateleira.
- Não pendure artigos na Bancada de Trabalho Portátil, exceto conforme indicado no presente manual.

# Instruções Gerais de Segurança

## Diretrizes para a utilização do cabo de extensão

Os cabos de extensão só devem ser utilizados temporariamente. Estes não substituem a necessidade de instalação de cabos e tomadas elétricos adequados.

### Na loja e em estaleiros de obras:

1. Em todos os momentos devem utilizar-se cabos de extensão com um equipamento condutor de ligação à terra.
2. Os cabos de extensão devem ser protegidos contra danos e não devem passar por portas ou janelas que possam fechar-se provocando danos nos mesmos.
3. Os cabos de extensão devem ter um mínimo de 16 AWG e a tensão adequada ao equipamento em utilização.
4. Os cabos de extensão devem ser inspecionados periodicamente de modo a garantir que o isolamento e a condutividade dos fios não estão danificados.
5. Os cabos de extensão não devem passar por água nem ter ligações que possam ficar expostas à acumulação de água.

### MESA 1

Placa de Amperes @120 V	Comprimento do Cabo de Extensão					
	25'	50'	75'	100'	150'	200'
	Calibre de Fio Recomendado					
0 - 5	16	16	16	14	12	12
5.1 - 8	16	16	14	12	10	NR
8.1 - 12	14	14	12	10	NR	NR
12.1 - 16	12	12	NR	NR	NR	NR

NR – Não Recomendado



### PERIGO DE CHOQUE ELÉTRICO

As peças metálicas deste produto são condutoras de eletricidade. Evite todas as situações que provoquem contacto elétrico. Uma incorreta ligação à terra das ferramentas elétricas representa um perigo de choque elétrico que pode causar lesões graves ou mesmo a morte, particularmente quando utilizadas em locais húmidos, junto a canalizações e outras superfícies com ligação à terra ou no exterior.



### AVISO

As poeiras provocadas pelas operações de lixar, serrar, tritar, perfurar e outras atividades da construção podem conter químicos reconhecidos pelo Estado da Califórnia como causador de cancro e malformações congénitas ou outros danos genéticos. Exemplos destes químicos são:

- a) Chumbo presente em tintas à base de chumbo
- b) Silica cristalina encontrada em tijolos, cimento e outros produtos de alvenaria
- c) Arsénico e crómio de madeira com tratamento químico

O seu risco de exposição a estes químicos depende da frequência com que realiza este tipo de trabalho. Para reduzir a sua exposição, trabalhe numa área bem ventilada e utilize equipamento de segurança aprovado, como máscaras de poeiras concebidas especificamente para filtrar partículas microscópicas.

## Explicação dos símbolos de segurança exibidos na Banca de Trabalho Portátil



Não utilize com cargas desequilibradas.



Não suba para cima da Bancada de Trabalho Portátil.



Não se sente na Bancada de Trabalho Portátil.



Não suba para a prateleira.



Utilize sempre proteção para os olhos.



Carga máxima com ambos os tampos da mesa instalados: 158 kg (350 lbs), distribuídos uniformemente; 45 kg (100 lbs) distribuídos uniformemente em cada aba da mesa



Carga máxima para duas Bancadas de Trabalho Portátil sem os tampos da mesa instalados: 997 kg (2200 lbs)



Carga máxima na prateleira: 11 kg (25 lbs)

## Garantia limitada da Bancada de Trabalho Portátil Kreg

A Kreg Tool Company garante apenas ao comprador original que a Bancada de Trabalho Móvel Kreg está isenta de defeitos de material e de fabrico durante um período de três (3) anos após a data de compra. A Kreg Tool Company irá, por seu discernimento, reparar ou substituir qualquer produto (ou componente do mesmo) que revele algum defeito durante o referido período de garantia. Esta garantia aplica-se apenas aos produtos que sejam utilizados em conformidade com todas as instruções definidas em catálogos, manuais e/ou conjuntos de instruções fornecidos pela Kreg Tool Company.

Esta garantia só entra em vigor se o comprador original preencher total e adequadamente o registo do produto online ([www.kregtool.com](http://www.kregtool.com)) ou ligando para o Serviço de Assistência ao Cliente da Kreg Tool Company (1-800-447-8638).

A garantia perde a validade no caso de o produto ser submetido a (1) utilização indevida, abuso ou armazenamento inadequado; (2) acidente, negligência, danos ou outras circunstâncias fora do controlo da Kreg Tool Company; (3) modificações, desmontagem, manipulação, alterações ou reparações não autorizadas pela Kreg Tool Company e (4) para outros compradores que não o original. A garantia não se aplica ao desgaste normal, corrosão, abrasão ou reparações necessárias devido a causas naturais e de força maior.

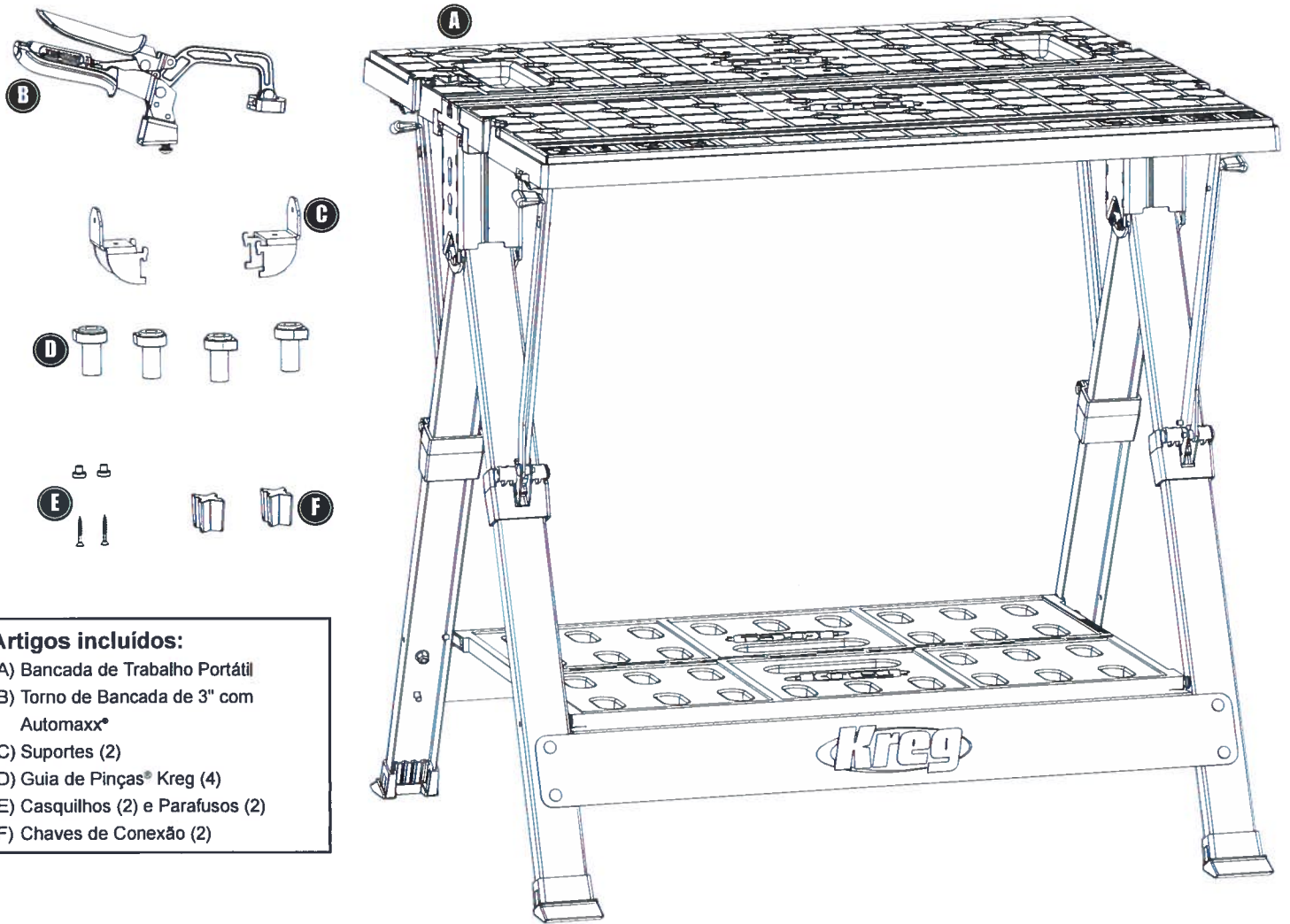
Esta é a única garantia da Kreg Tool Company. Todas e quaisquer garantias implícitas por lei, incluindo as garantias de comercialização ou adequação a uma finalidade específica, estão limitadas à duração da presente garantia. A Kreg Tool Company não se responsabiliza por quaisquer perdas, danos ou despesas diretas ou indiretamente relacionados com a utilização dos seus produtos nem por qualquer outra causa nem por danos consequenciais (incluindo, entre outros, perda de tempo, inconvenientes e perda de produção). A garantia incluída no presente não pode ser alterada e nenhuma outra garantia, explícita ou implícita será feita por ou em nome da Kreg Tool Company.

Para que saiba, as seguintes informações serão úteis em caso de reclamação da garantia. Para que os registos fiquem completos, anexe uma cópia da prova de compra.

Data de Compra \_\_\_/\_\_\_/\_\_\_

Comprado em: \_\_\_\_\_

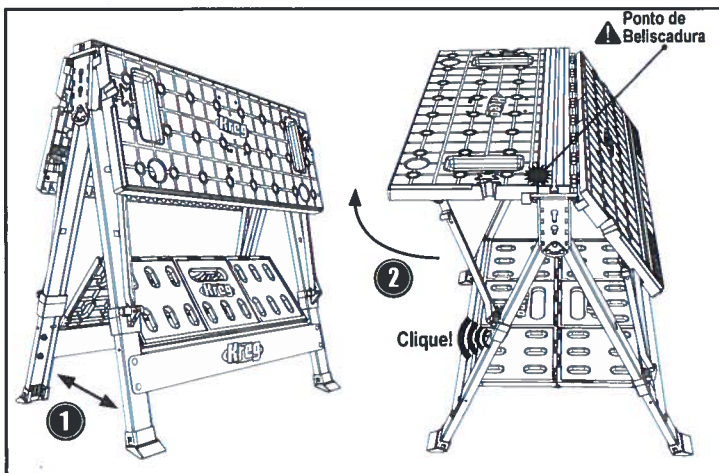
# PEÇAS



## Artigos incluídos:

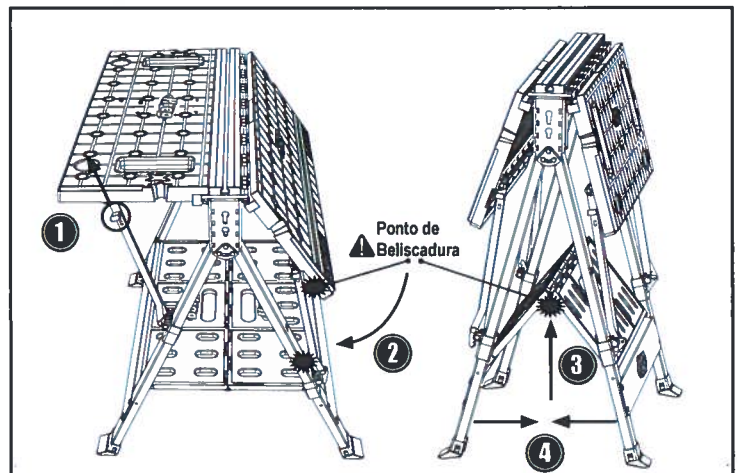
- (A) Bancada de Trabalho Portátil
- (B) Torno de Bancada de 3" com Automaxx®
- (C) Suportes (2)
- (D) Guia de Pinças® Kreg (4)
- (E) Casquilhos (2) e Parafusos (2)
- (F) Chaves de Conexão (2)

## CONFIGURAÇÃO



- (1) Afaste as pernas.
- (2) Levante os tampos da mesa. Verifique se todos os grampos estão encaixados.

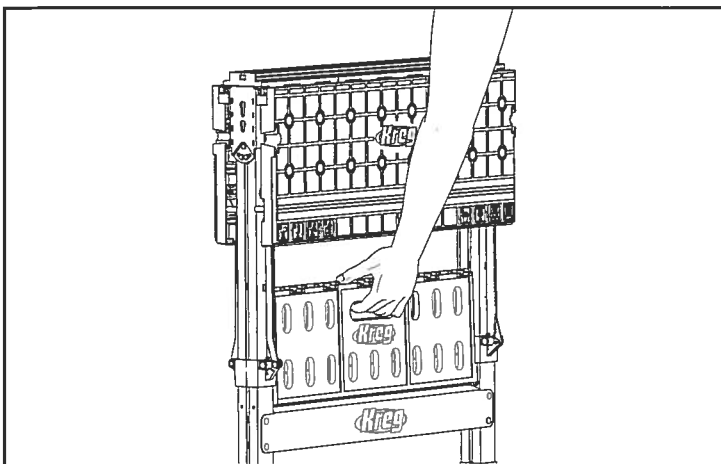
## GUARDAR



- (1) Eleve as linguetas para libertar os grampos. (2) Baixe os tampos da mesa.
- (3) Eleve a prateleira. (4) Feche as pernas.

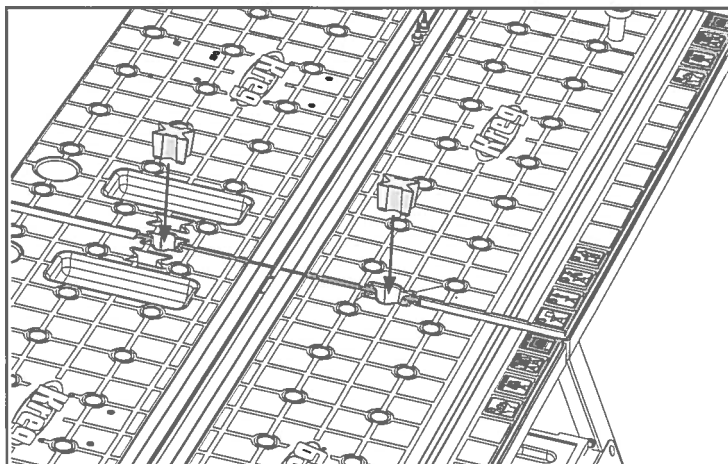


## TRANSPORTE



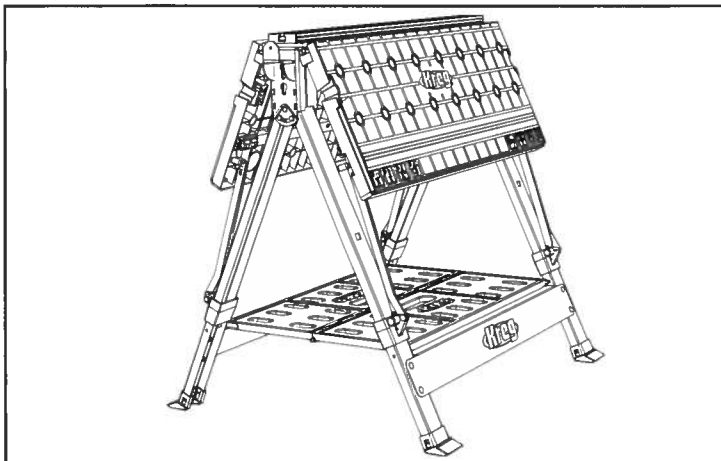
Para evitar que a bancada se desdobre acidentalmente, transporte-a sempre pelas pegas na prateleira.

## LIGAÇÃO



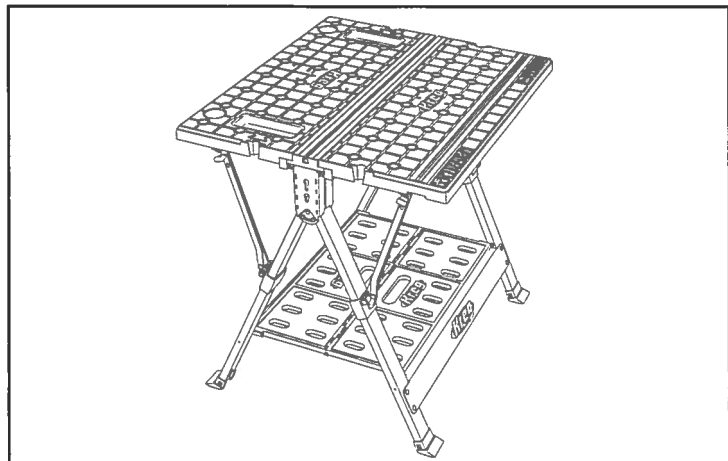
As chaves de conexão mantêm duas Bancadas de Trabalho Portáteis juntas.

## CAVALETE



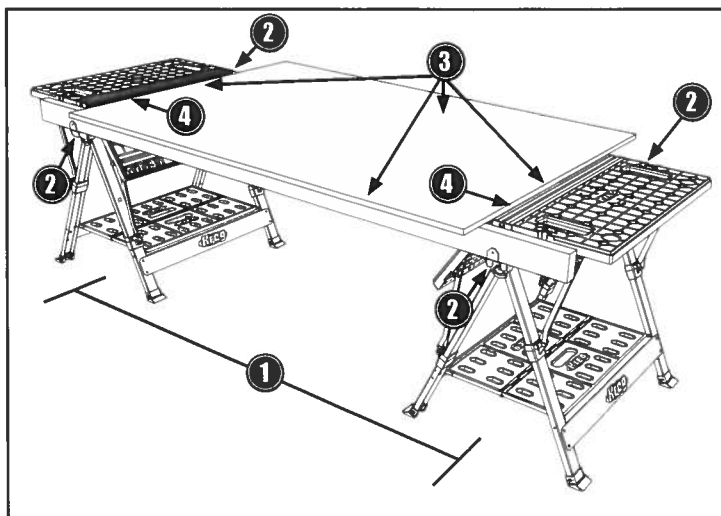
Pernas afastadas, tampos da mesa para baixo

## MESA



Pernas afastadas, tampos da mesa para cima

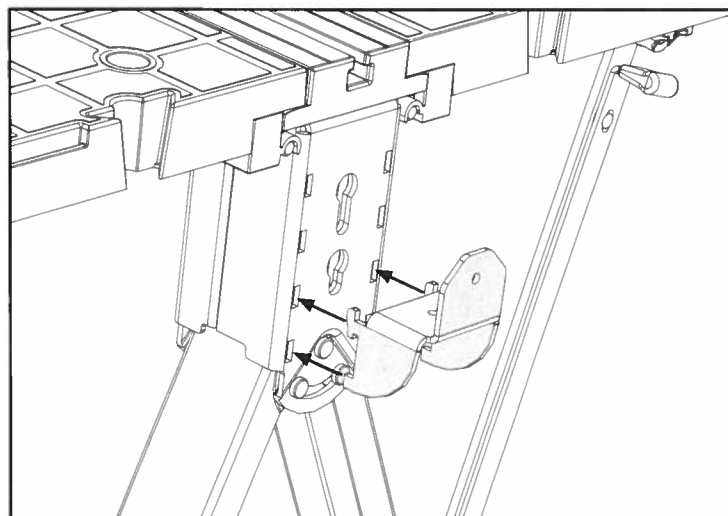
## CONFIGURAÇÃO DE MESA EXPANDIDA



- (1) Duas Bancadas de Trabalho Portáteis afastadas 213 cm (7 pés) no máximo.
- (2) Suportes na posição mais baixa, um 2 x 4 em cada par de Suportes.
- (3) Descansos de contraplacado de 3/4" em 2 x 4 e extremidades de ambas as mesas com os tampos dobrados.
- (4) Extremidades de contraplacado firmemente seguras por ambas as Calhas dos Tornos.
- (5) Distribua o peso uniformemente.

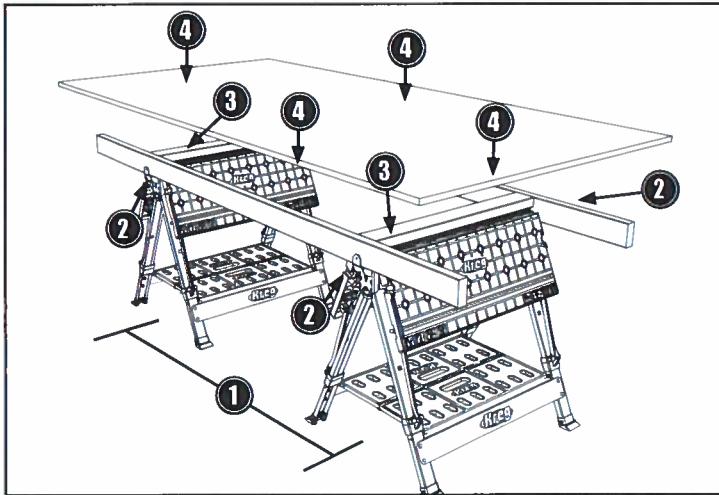
**AVISO** Carga máxima de 998 kg (2,200 lb.)

## POSIÇÃO DO SUPORTE: MESA EXPANDIDA



Monte os Suportes nas ranhuras mais baixas.

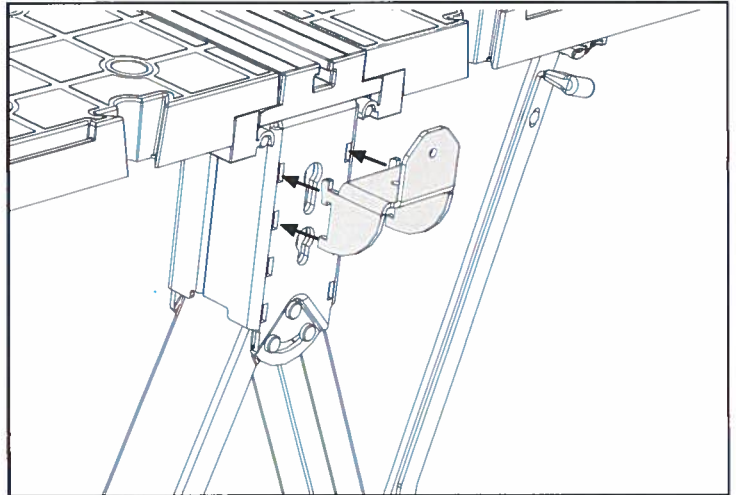
## CONFIGURAÇÃO DE CORTE



- (1) Duas Bancadas de Trabalho Portáteis afastadas 213 cm (7 pés) no máximo.
- (2) Suportes na posição mais alta, um 2 x 4 em cada par de Suportes.
- (3) Sacrificial 2 x 4 instalado em cada Bancada de Trabalho Portátil. (Ver MONTAGEM DE UM SACRIFICIAL 2 X 4.)
- (4) Descansos de contraplacado de 3/4" em 2 x 4 e em sacrificial 2 x 4.
- (5) Distribua o peso uniformemente.

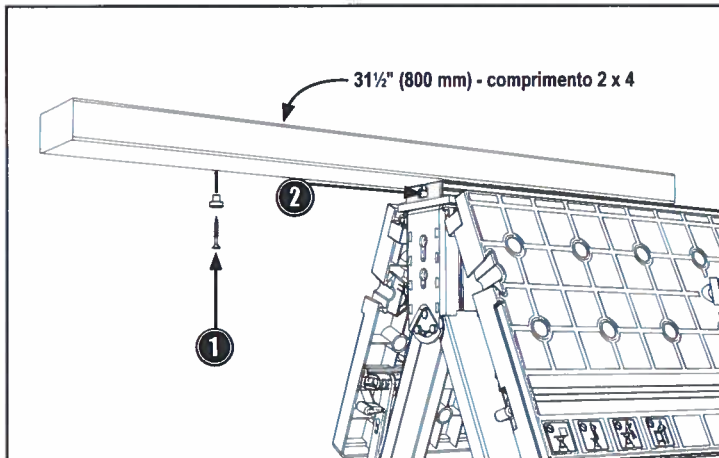
**AVISO** Carga máxima de 998 kg (2,200 lb.)

## POSIÇÃO DO SUPORTE: CONFIGURAÇÃO DE CORTE



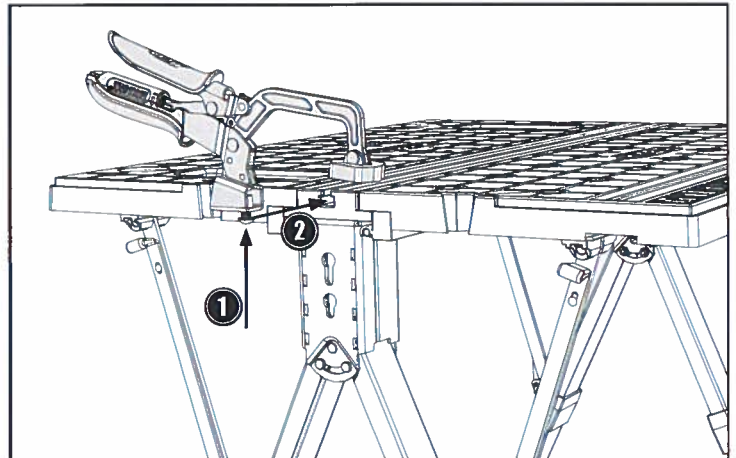
Monte os Suportes nas ranhuras mais altas.

## MONTAGEM DE UM SACRIFICIAL 2 X 4



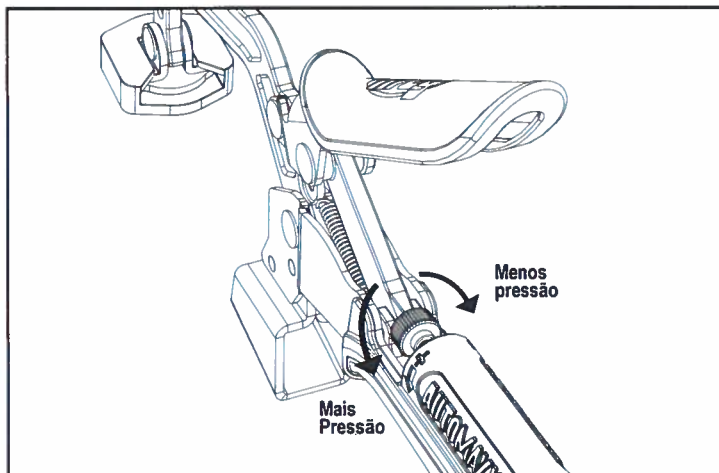
- (1) Aperte os Casquilhos ao 2 x 4 e (2) faça deslizar para a ranhura em T.

## MONTAGEM DO TORNO

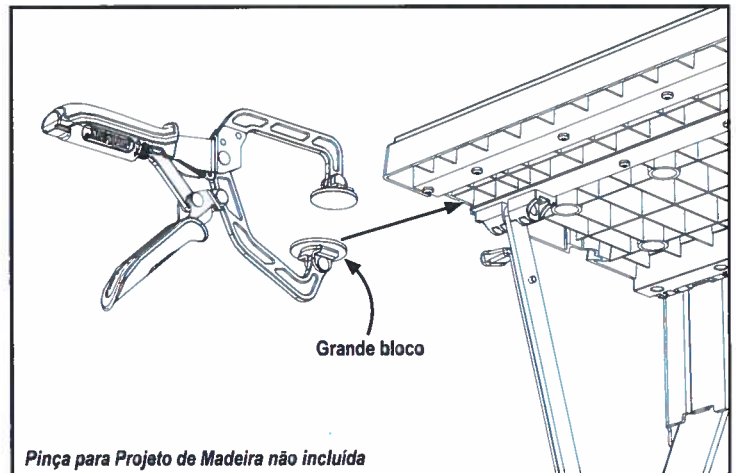


- (1) Ajuste o parafuso de ancoragem do grampo e (2) faça deslizar para a ranhura em T.

## AJUSTAR A PRESSÃO DO TORNO DE BANCADA



## UTILIZAR UMA PINÇA PARA PROJETO DE MADEIRA KREG

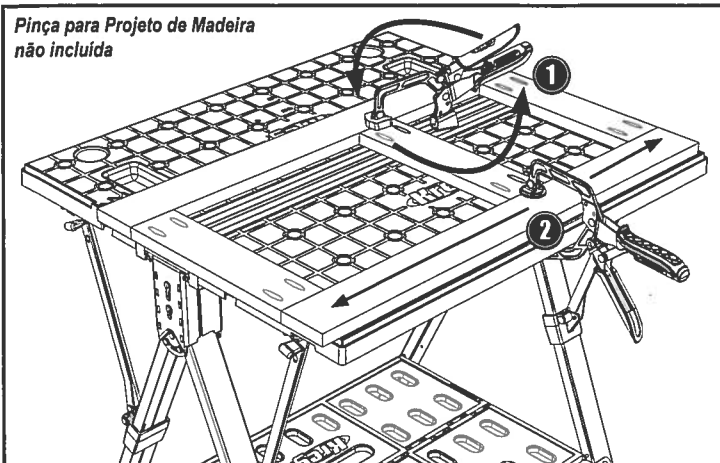


*Pinça para Projeto de Madeira não incluída*

Deslizar o bloco grande para a ranhura em T.

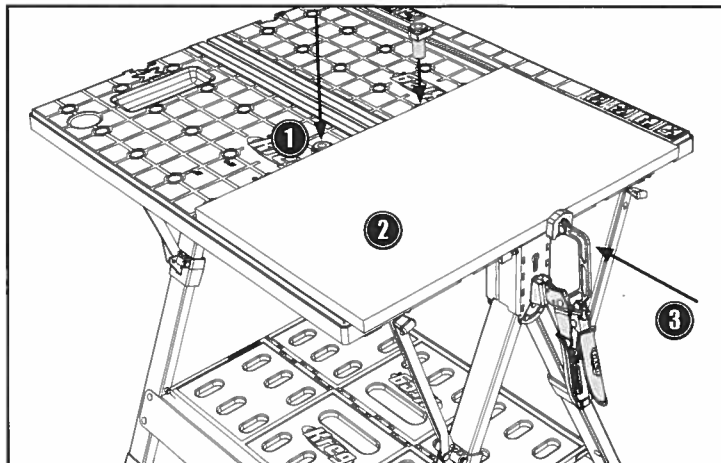
## FIXAÇÃO DO TAMPO DA MESA

Pinça para Projeto de Madeira  
não incluída



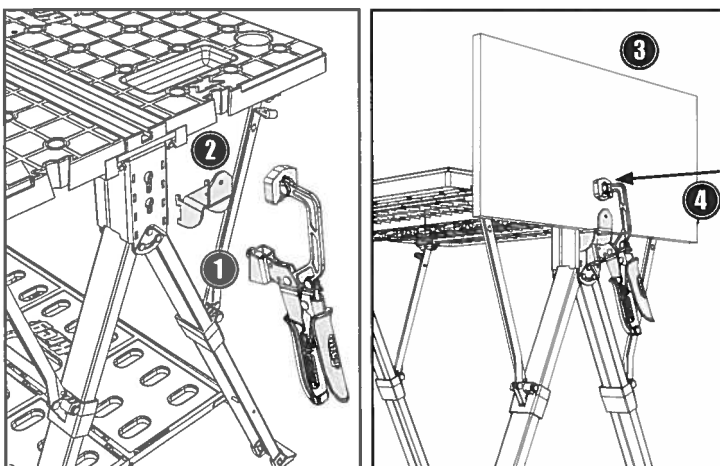
(1) O Torno de Bancada roda 360°. (2) Faça deslizar uma Pinça para Projeto de Madeira (acessório opcional) em qualquer parte ao longo da extremidade.

## FIXAÇÃO COM GUIAS DE PINÇA



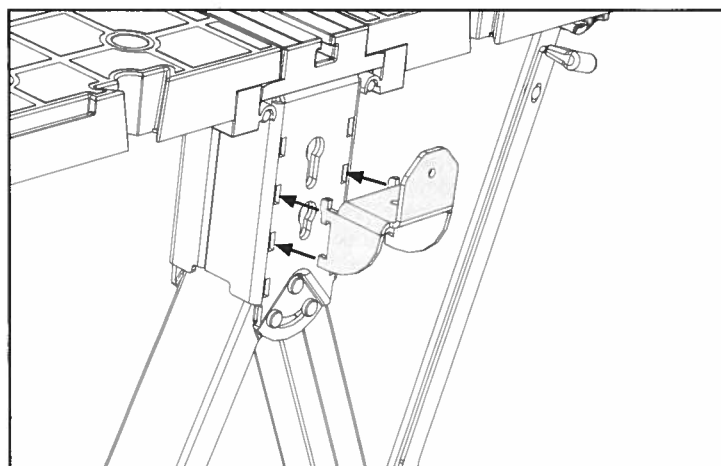
(1) Insira os Guias de Pinça nos furos, (2) posicione a peça de trabalho e (3) fixe.

## TORNO



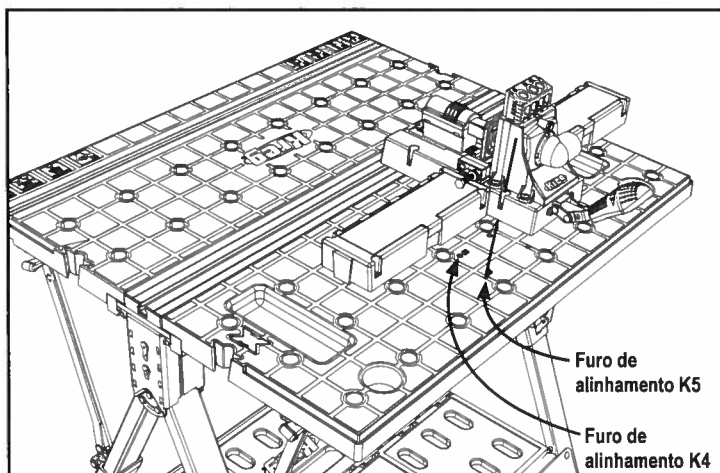
(1) Instale o Torno na ranhura mais baixa.  
(2) Instale o Suporte nas ranhuras do meio.  
(3) Coloque a peça de trabalho no Suporte e (4) fixar.

## POSIÇÃO DO SUPORTE: TORNO



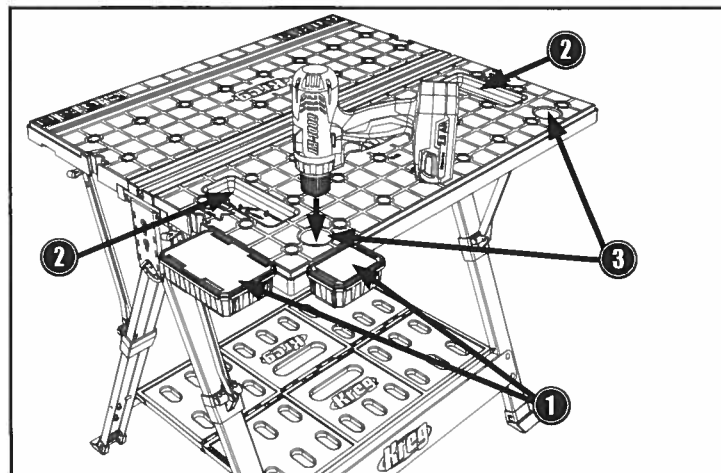
Monte o Suporte nas ranhuras do meio.

## MONTAR UM GABARITO KREG®



Alinhar o gabarito com os furos correspondente para K4 ou K5.

## CARACTERÍSTICAS ADICIONAIS



(1) Pendure os recipientes para parafusos Kreg nas extremidades dos tampos da mesa.

**ATENÇÃO** Pendure apenas recipientes Kreg para 100 e 250 parafusos.  
(2) Guarde as ferragens nos tabuleiros recuados.  
(3) Os Coldres para Berbequim mantêm os berbequins/parafusadoras acessíveis.

# Instruções Gerais de Segurança

**!** **AVISO** Ao utilizar ferramentas elétricas com este produto, respeite sempre as instruções do fabricante e as precauções de segurança *abaixo* para reduzir o risco de incêndio, choque elétrico e lesões pessoais. Leia todas as instruções antes de tentar operar o produto. **GUARDE ESTAS INSTRUÇÕES.**

## 1) Segurança da área de trabalho

- Mantenha a área de trabalho limpa e bem iluminada. Áreas desorganizadas ou escuras são um convite aos acidentes.
- Não utilize ferramentas elétricas em ambientes perigosos. Não utilize ferramentas elétricas em zonas húmidas ou molhadas, nem as exponha à chuva.
- Não opere ferramentas elétricas em atmosferas explosivas, como na presença de líquidos, gases ou poeiras inflamáveis. As ferramentas elétricas criam faíscas que podem inflamar os fumos ou poeiras.
- Mantenha as crianças e outras pessoas afastadas enquanto opera uma ferramenta elétrica. As distrações podem fazê-lo perder o controlo da ferramenta.
- Torne a sua oficina à prova de crianças. Use cadeados, interruptores principais ou chaves de arranque.

## 2) Segurança elétrica

- Ligue as ferramentas elétricas à terra. Se a ferramenta estiver equipada com uma ficha de três pontas, deve ser ligada a uma tomada elétrica de três aberturas com ligação à terra. Se não dispuser de uma tomada adequada, solicite a instalação de uma por um electricista qualificado. Nunca retire a terceira ponta nem modifique a ficha fornecida.
- Não exponha as ferramentas elétricas a chuva nem as condições molhadas. A penetração de água numa ferramenta elétrica aumentará o risco de choque elétrico.
- Trate o cabo de alimentação com cuidado. Nunca utilize o cabo para transportar, puxar ou desligar a ferramenta elétrica. Mantenha o cordão afastado do calor, óleo, superfícies aguçadas ou peças em movimento. Cabos danificados ou emaranhados aumentam o risco de choque elétrico.
- Utilize um cabo de extensão adequado e verifique se está em boas condições. Ao utilizar um cabo de extensão, assegure-se que escolhe um suficientemente pesado para suportar a corrente de alimentação necessária à ferramenta. Um cabo com o tamanho errado provoca uma queda na tensão de alimentação que, por sua vez, causa perda de energia e sobreaquecimento. A Tabela 1 mostra o calibre correto para o cabo a utilizar consoante o comprimento do cabo e a placa de amperagem da ferramenta. Em caso de dúvida, opte pelo calibre mais pesado. Quanto mais baixo for o número do calibre, mais pesado é o cabo.
- Ao operar ferramentas elétricas, evite o contacto do corpo com superfícies ligadas à terra ou aterradas, como canos, radiadores, equipamentos de cozinha ou frigoríficos. O contacto com uma superfície ligada à terra aumenta o risco de choque elétrico.

## 3) Segurança pessoal

- Mantenha-se alerta, tenha atenção ao que está a fazer e use o senso comum ao operar uma ferramenta elétrica. Não utilize uma ferramenta elétrica se estiver cansado ou sob a influência de drogas, álcool ou medicação. Um momento de descuido enquanto opera uma ferramenta elétrica pode provocar lesões pessoais graves.
- Utilize sempre óculos de segurança. Os óculos de uso diário não são óculos de segurança. Os óculos de segurança têm lentes, armações e proteções laterais especialmente construídas.
- Utilize equipamento de segurança. Utilize uma máscara de rosto ou de poeiras sempre que a operação de corte provocar poeiras. O equipamento de segurança, como a máscara de poeiras, calçado de segurança antiderrapagem, capacete rígido ou proteção auditiva, utilizado em condições adequadas, reduz as lesões pessoais.
- Evite arranques acidentais. Verifique se o interruptor está na posição de desligado antes de ligar a alimentação elétrica. Transportar ferramentas elétricas com o dedo no interruptor ou ligar à alimentação elétrica com o interruptor na posição ligado são um convite aos acidentes.
- Remova eventuais chaves de ajustes ou outras antes de ligar a ferramenta elétrica. Uma chave esquecida numa peça rotativa da ferramenta elétrica pode provocar lesões pessoais.
- Não tente alcançar além dos limites. Mantenha uma base e o equilíbrio adequados em todos os momentos. Isto permite um melhor controlo da ferramenta elétrica em situações inesperadas.
- Fixe as peças de trabalho. Utilize grampos ou um torno para segurar o trabalho quando possível. É mais seguro do que utilizar a sua mão e deixa ambas as mãos livres para operar a ferramenta.
- Nunca se ponha em cima da máquina. Lesões graves podem ocorrer se a ferramenta se inclinar ou se tocar sem intenção na ferramenta de corte.
- Use vestuário adequado. Não use roupas largas nem joias. Mantenha o cabelo, o vestuário e as luvas afastados de peças em movimento. Roupas largas, joias ou cabelos compridos podem ficar presos nas peças em movimento. Arregace mangas compridas até aos cotovelos. Cubra e prenda cabelos compridos.
- Caso sejam fornecidos dispositivos para a ligação do equipamento

de extração e recolha de poeiras, assegure-se de que estes são ligados e utilizados corretamente. A utilização destes dispositivos pode reduzir os perigos relacionados com a poeira.

## 4) Utilização e cuidado da ferramenta elétrica

- Mantenha as proteções no local e em funcionamento.
- Não force a ferramenta elétrica. Utilize a ferramenta elétrica correta para a sua aplicação. A ferramenta elétrica correta fará o trabalho melhor e de forma mais segura, ao ritmo para o qual foi concebida.
- Utilize a ferramenta certa. Não force uma ferramenta ou acessório para realizar um trabalho para o qual não foi concebido.
- Não utilize a ferramenta elétrica se a mesma não puder ser ligada ou desligada pelo interruptor. Qualquer ferramenta que não possa ser controlada através do interruptor é perigosa e deve ser reparada.
- Desligue a ficha da alimentação elétrica e/ou da bateria da ferramenta elétrica antes de proceder a ajustes, substituição de acessórios ou de a guardar. Estas medidas de segurança reduzem o risco de arranque acidental da ferramenta elétrica.
- Nunca deixe uma ferramenta a funcionar sem supervisão. Desligue a alimentação elétrica. Não abandone a ferramenta sem que esta pare totalmente.
- Guarde ferramentas elétricas inativas fora do alcance das crianças e não permita que pessoas que não estejam familiarizadas com as mesmas e com estas instruções operem as ferramentas elétricas.

As ferramentas elétricas são perigosas nas mãos de utilizadores inexperientes.

- Veja pela manutenção das ferramentas elétricas. Verifique o desalinhamento ou aglutinação de peças móveis, peças partidas e outras situações que possam afetar a operação da ferramenta elétrica. Caso esteja danificada, a ferramenta elétrica tem de ser reparada antes de ser utilizada. Muitos acidentes são provocados por ferramentas elétricas com uma fraca manutenção.

- Mantenha as ferramentas de corte afiadas e limpas. Ferramentas de corte bem mantidas, com superfícies de corte afiadas, têm menores probabilidades de dobrar e são mais fáceis de controlar.
  - Utilize a velocidade recomendada para a ferramenta de corte ou acessório e a peça de trabalho.
  - Utilize exclusivamente peças e acessórios recomendados pelo fabricante. Veja os acessórios recomendados no manual do utilizador. A utilização de acessórios desadequados pode provocar lesões pessoais.
  - Utilize a ferramenta elétrica, os acessórios e pontas em conformidade com estas instruções e da forma prevista para o tipo de ferramenta elétrico específico, tendo em consideração as condições de trabalho e as tarefas a desempenhar. A utilização da ferramenta elétrica para fins diferentes dos previstos pode provocar uma situação de perigo.
- ## 5) Reparação
- A ferramenta elétrica deve ser reparada por técnicos qualificados, utilizando apenas peças de substituição idênticas. Isto garante a manutenção da segurança da ferramenta elétrica.

## 6) Instruções de segurança específicas da Bancada de Trabalho Portátil Kreg

- Ao instalar os tampos da mesa, use as duas mãos para os segurar pelos cantos exteriores e puxar para cima. Verifique se os suportes ficam totalmente encaixados.
- Ao dobrar os tampos da mesa, use as duas mãos para segurar as linguetas de libertação dos suportes. Puxe as linguetas para cima e empurre os tampos da mesa para baixo. Mantenha as mãos afastadas de pontos onde possam ficar entaladas.
- Trabalhe sempre numa superfície seca e nivelada.
- Ao utilizar ferramentas elétricas com a Bancada de Trabalho Portátil, respeite as instruções de segurança do fabricante da ferramenta.
- Para evitar inclinações, monte sempre as ferramentas de bancada centradas no torno.
- Ao utilizar duas bancadas de trabalho portáteis em modo de rede, recomenda-se a utilização de um ou dois tirantes 2 x 4 para um reforço adicional.
- A Bancada de Trabalho Portátil não se destina a ser utilizada ao ar livre, em condições de humidade.
- Guarde sempre a Bancada de Trabalho Portátil no interior ou numa área protegida das condições meteorológicas.
- Não se sente, não suba para cima nem utilize a Bancada de Trabalho Portátil como andaime nem para qualquer outro fim não indicado no presente manual.
- Não suba para a prateleira.
- Não pendure artigos na Bancada de Trabalho Portátil, exceto conforme indicado no presente manual.

# Instruções Gerais de Segurança

## Diretrizes para a utilização do cabo de extensão

Os cabos de extensão só devem ser utilizados temporariamente. Estes não substituem a necessidade de instalação de cabos e tomadas elétricos adequados.

### Na loja e em estaleiros de obras:

1. Em todos os momentos devem utilizar-se cabos de extensão com um equipamento condutor de ligação à terra.
2. Os cabos de extensão devem ser protegidos contra danos e não devem passar por portas ou janelas que possam fechar-se provocando danos nos mesmos.
3. Os cabos de extensão devem ter um mínimo de 16 AWG e a tensão adequada ao equipamento em utilização.
4. Os cabos de extensão devem ser inspecionados periodicamente de modo a garantir que o isolamento e a condutividade dos fios não estão danificados.
5. Os cabos de extensão não devem passar por água nem ter ligações que possam ficar expostas à acumulação de água.

### MESA 1

Placa de Amperes @120 V	Comprimento do Cabo de Extensão					
	25'	50'	75'	100'	150'	200'
	Calibre de Fio Recomendado					
0-5	16	16	16	14	12	12
5.1-8	16	16	14	12	10	NR
8.1-12	14	14	12	10	NR	NR
12.1-16	12	12	NR	NR	NR	NR

NR – Não Recomendado



### PERIGO DE CHOQUE ELÉTRICO

As peças metálicas deste produto são condutoras de eletricidade. Evite todas as situações que provoquem contacto elétrico. Uma incorreta ligação à terra das ferramentas elétricas representa um perigo de choque elétrico que pode causar lesões graves ou mesmo a morte, particularmente quando utilizadas em locais húmidos, junto a canalizações e outras superfícies com ligação à terra ou no exterior.



### AVISO

As poeiras provocadas pelas operações de lixar, serrar, tritura, perfurar e outras atividades da construção podem conter químicos reconhecidos pelo Estado da Califórnia como causador de cancro e malformações congénitas ou outros danos genéticos. Exemplos destes químicos são:

- a) Chumbo presente em tintas à base de chumbo
- b) Silica cristalina encontrada em tijolos, cimento e outros produtos de alvenaria
- c) Arsénico e crómio de madeira com tratamento químico

O seu risco de exposição a estes químicos depende da frequência com que realiza este tipo de trabalho. Para reduzir a sua exposição, trabalhe numa área bem ventilada e utilize equipamento de segurança aprovado, como máscaras de poeiras concebidas especificamente para filtrar partículas microscópicas.

## Explicação dos símbolos de segurança exibidos na Banca de Trabalho Portátil



Não utilize com cargas desequilibradas.



Não suba para cima da Bancada de Trabalho Portátil.



Não se sente na Bancada de Trabalho Portátil.



Não suba para a prateleira.



Utilize sempre proteção para os olhos.



Carga máxima com ambos os tampos da mesa instalados: 158 kg (350 lbs), distribuídos uniformemente; 45 kg (100 lbs) distribuídos uniformemente em cada aba da mesa



Carga máxima para duas Bancadas de Trabalho Portátil sem os tampos da mesa instalados: 997 kg (2200 lbs)



Carga máxima na prateleira: 11 kg (25 lbs)

## Garantia limitada da Bancada de Trabalho Portátil Kreg

A Kreg Tool Company garante apenas ao comprador original que a Bancada de Trabalho Móvel Kreg está isenta de defeitos de material e de fabrico durante um período de três (3) anos após a data de compra. A Kreg Tool Company irá, por seu discernimento, reparar ou substituir qualquer produto (ou componente do mesmo) que revele algum defeito durante o referido período de garantia. Esta garantia aplica-se apenas aos produtos que sejam utilizados em conformidade com todas as instruções definidas em catálogos, manuais e/ou conjuntos de instruções fornecidos pela Kreg Tool Company.

Esta garantia só entra em vigor se o comprador original preencher total e adequadamente o registo do produto online ([www.kregtool.com](http://www.kregtool.com)) ou ligando para o Serviço de Assistência ao Cliente da Kreg Tool Company (1-800-447-8638).

A garantia perde a validade no caso de o produto ser submetido a (1) utilização indevida, abuso ou armazenamento desadequado; (2) acidente, negligência, danos ou outras circunstâncias fora do controlo da Kreg Tool Company; (3) modificações, desmontagem, manipulação, alterações ou reparações não autorizadas pela Kreg Tool Company e (4) para outros compradores que não o original. A garantia não se aplica ao desgaste normal, corrosão, abrasão ou reparações necessárias devido a causas naturais e de força maior.

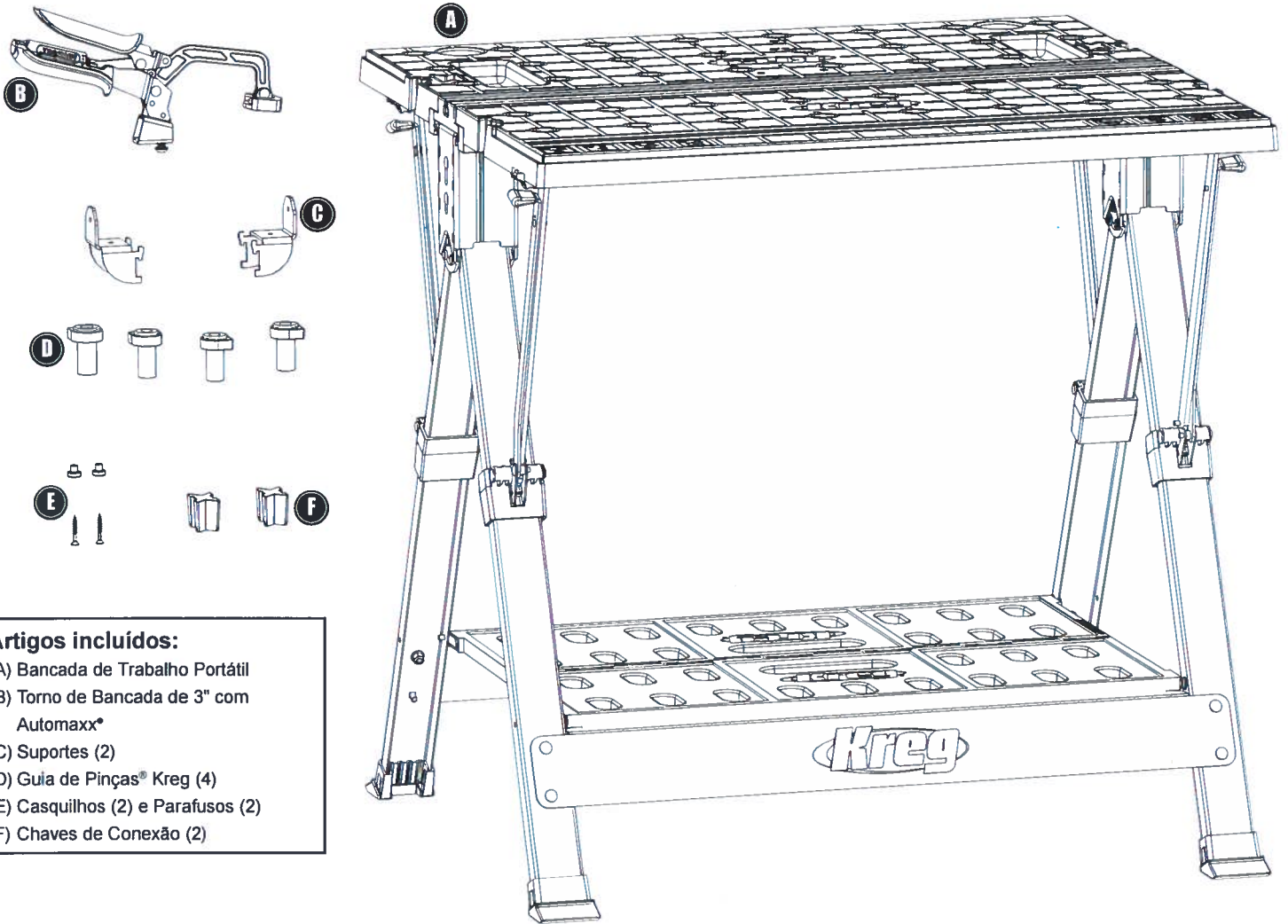
Esta é a única garantia da Kreg Tool Company. Todas e quaisquer garantias implícitas por lei, incluindo as garantias de comercialização ou adequação a uma finalidade específica, estão limitadas à duração da presente garantia. A Kreg Tool Company não se responsabiliza por quaisquer perdas, danos ou despesas diretas ou indiretamente relacionados com a utilização dos seus produtos nem por qualquer outra causa nem por danos consequenciais (incluindo, entre outros, perda de tempo, inconvenientes e perda de produção). A garantia incluída no presente não pode ser alterada e nenhuma outra garantia, explícita ou implícita será feita por ou em nome da Kreg Tool Company.

Para que saiba, as seguintes informações serão úteis em caso de reclamação da garantia. Para que os registos fiquem completos, anexe uma cópia da prova de compra.

Data de Compra \_\_\_/\_\_\_/\_\_\_

Comprado em: \_\_\_\_\_

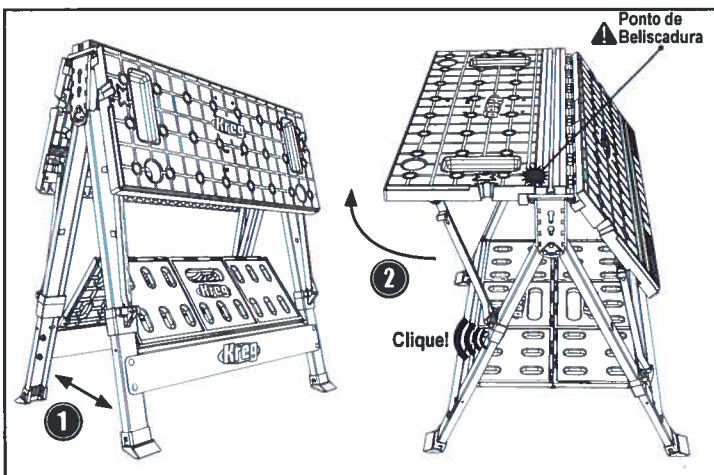
# PEÇAS



## Artigos incluídos:

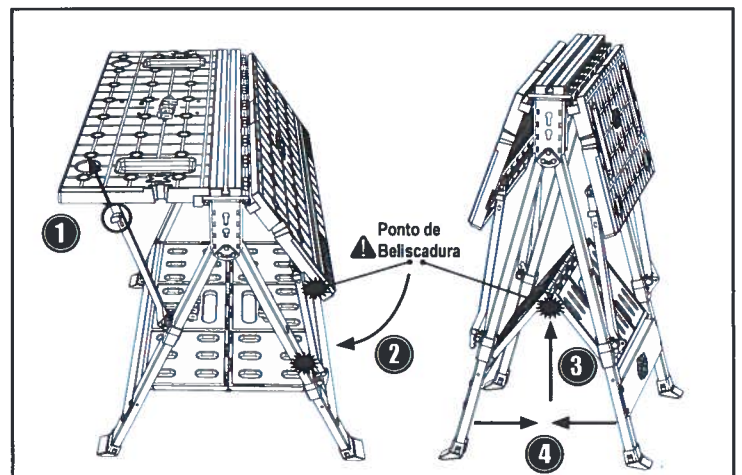
- (A) Bancada de Trabalho Portátil
- (B) Torno de Bancada de 3" com Automaxx®
- (C) Suportes (2)
- (D) Guia de Pinças® Kreg (4)
- (E) Casquilhos (2) e Parafusos (2)
- (F) Chaves de Conexão (2)

## CONFIGURAÇÃO



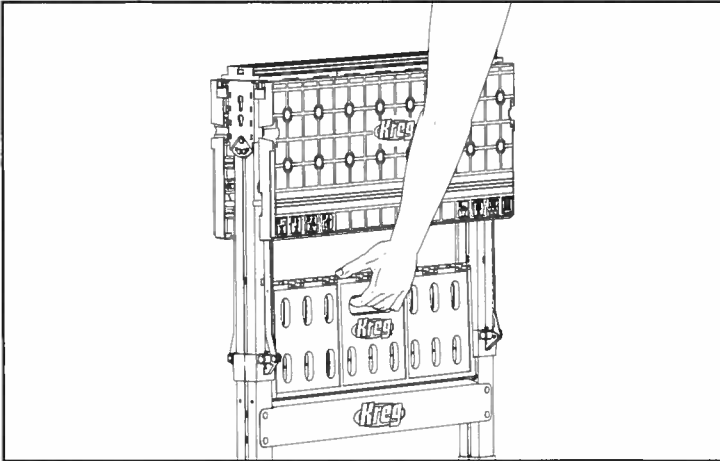
- (1) Afaste as pernas.
- (2) Levante os tampos da mesa. Verifique se todos os grampos estão encaixados.

## GUARDAR



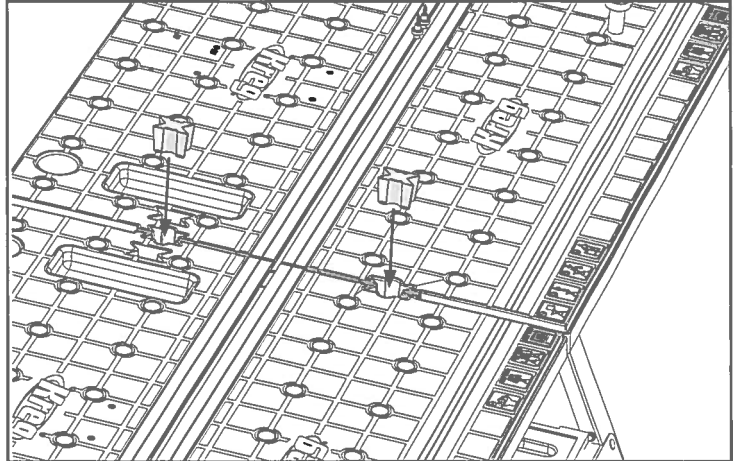
- (1) Eleve as linguetas para libertar os grampos. (2) Baixe os tampos da mesa.
- (3) Eleve a prateleira. (4) Feche as pernas.

## TRANSPORTE



Para evitar que a bancada se desdobre acidentalmente, transporte-a sempre pelas pegas na prateleira.

## LIGAÇÃO



As chaves de conexão mantêm duas Bancadas de Trabalho Portáteis juntas.

## CAVALETE



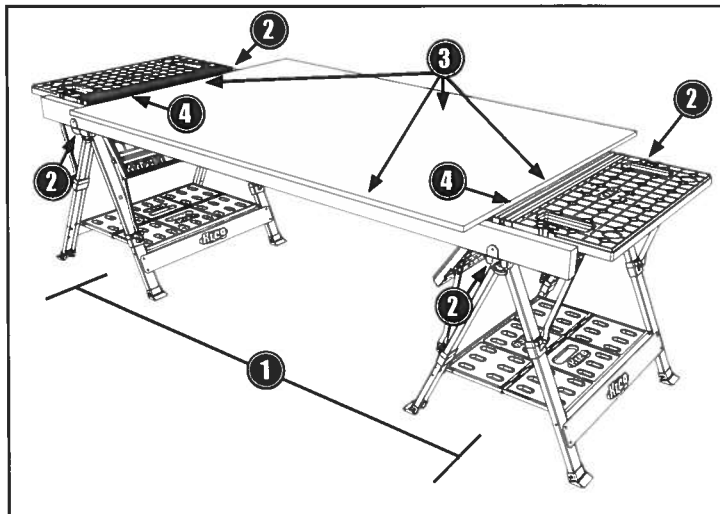
Pernas afastadas, tampos da mesa para baixo

## MESA



Pernas afastadas, tampos da mesa para cima

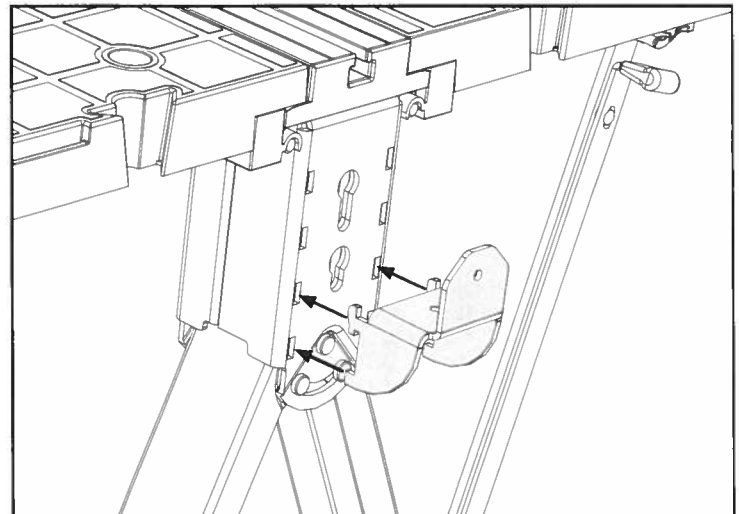
## CONFIGURAÇÃO DE MESA EXPANDIDA



- (1) Duas Bancadas de Trabalho Portáteis afastadas 213 cm (7 pés) no máximo.
- (2) Suportes na posição mais baixa, um 2 x 4 em cada par de Suportes.
- (3) Descansos de contraplacado de ¾" em 2 x 4 e extremidades de ambas as mesas com os tampos dobrados.
- (4) Extremidades de contraplacado firmemente seguras por ambas as Calhas dos Tornos.
- (5) Distribua o peso uniformemente.

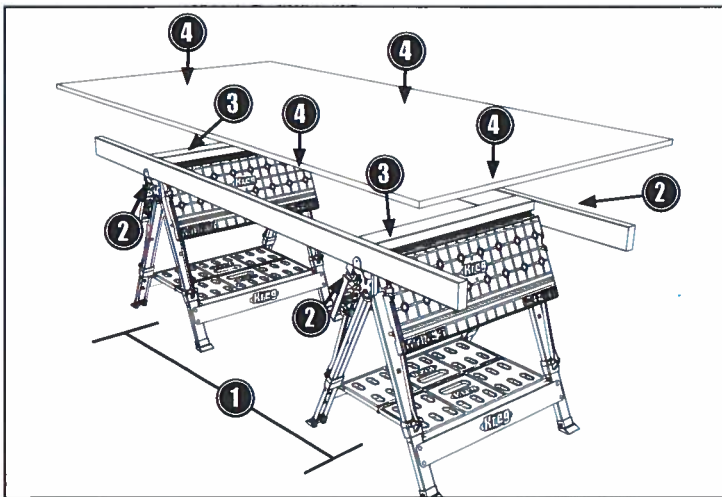
**⚠ AVISO** Carga máxima de 998 kg (2,200 lb.)

## POSIÇÃO DO SUPORTE: MESA EXPANDIDA



Monte os Suportes nas ranhuras mais baixas.

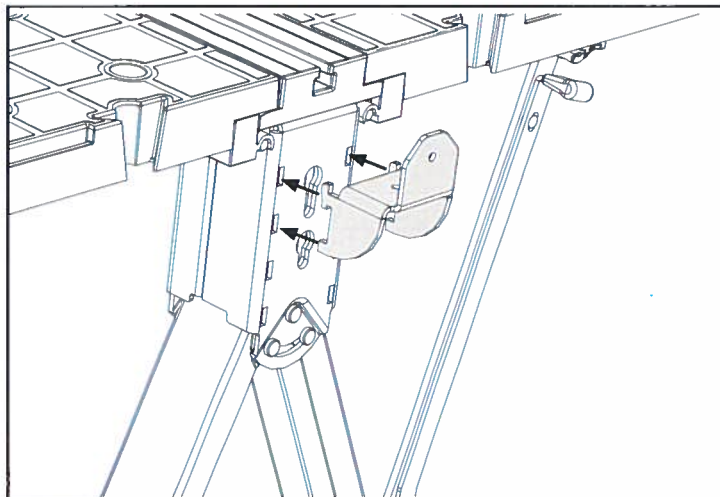
## CONFIGURAÇÃO DE CORTE



- (1) Duas Bancadas de Trabalho Portáteis afastadas 213 cm (7 pés) no máximo.
- (2) Suportes na posição mais alta, um 2 x 4 em cada par de Suportes.
- (3) Sacrificial 2 x 4 instalado em cada Bancada de Trabalho Portátil. (Ver MONTAGEM DE UM SACRIFICIAL 2 X 4.)
- (4) Descansos de contraplacado de 3/4" em 2 x 4 e em sacrificial 2 x 4.
- (5) Distribua o peso uniformemente.

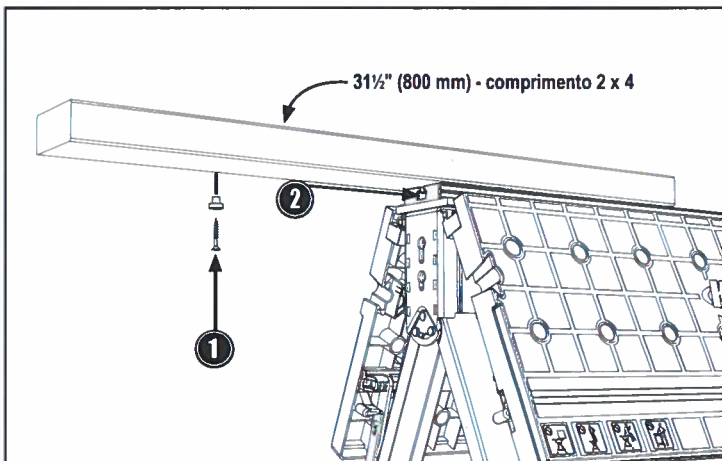
⚠ **AVISO** Carga máxima de 998 kg (2,200 lb.)

## POSIÇÃO DO SUPORTE: CONFIGURAÇÃO DE CORTE



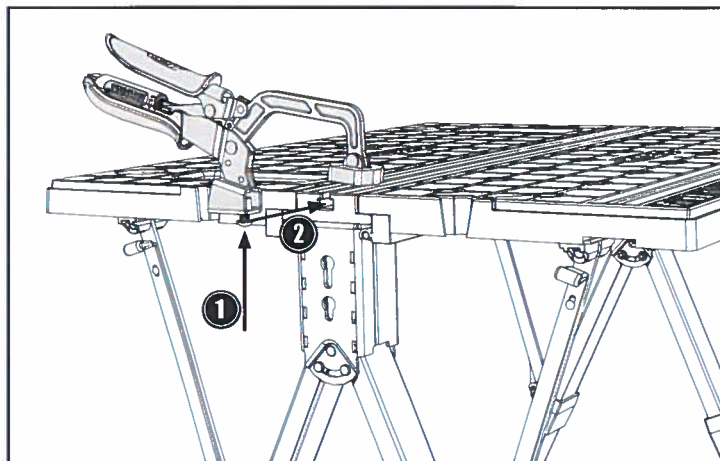
Monte os Suportes nas ranhuras mais altas.

## MONTAGEM DE UM SACRIFICIAL 2 X 4



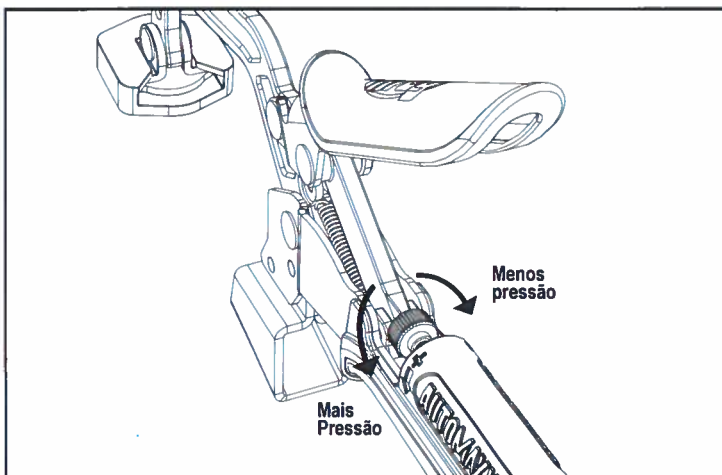
- (1) Aperte os Casquilhos ao 2 x 4 e (2) faça deslizar para a ranhura em T.

## MONTAGEM DO TORNO

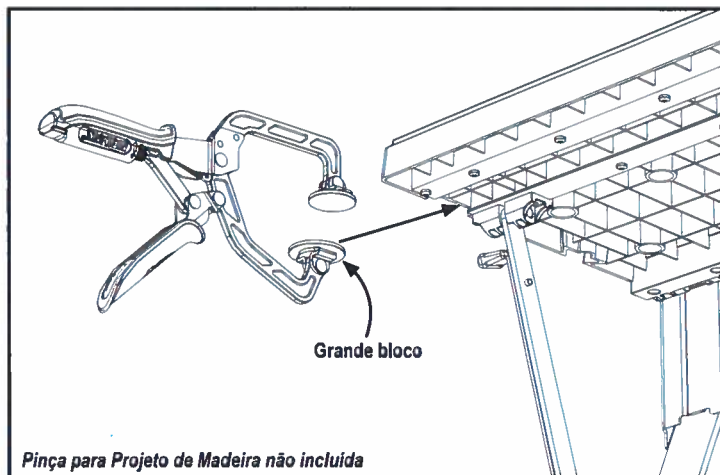


- (1) Ajuste o parafuso de ancoragem do grampo e (2) faça deslizar para a ranhura em T.

## AJUSTAR A PRESSÃO DO TORNO DE BANCADA



## UTILIZAR UMA PINÇA PARA PROJETO DE MADEIRA KREG



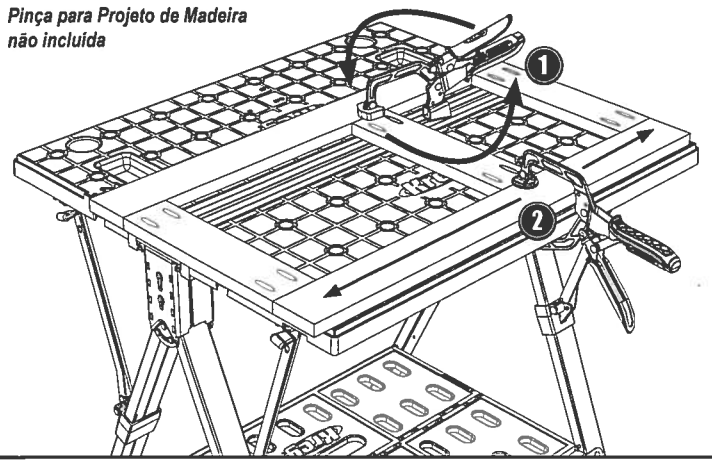
Pinça para Projeto de Madeira não incluída

Deslizar o bloco grande para a ranhura em T.



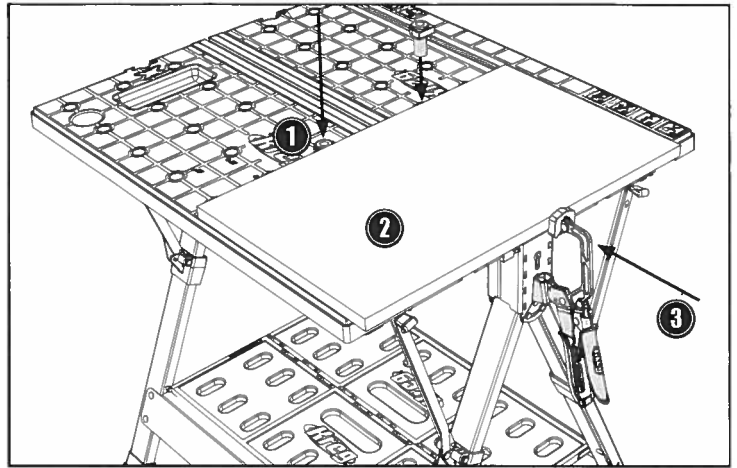
## FIXAÇÃO DO TAMPO DA MESA

Pinça para Projeto de Madeira  
não incluída



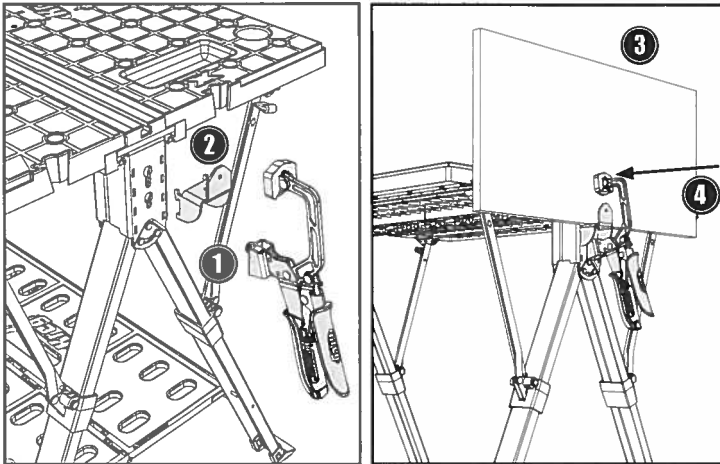
(1) O Torno de Bancada roda 360°. (2) Faça deslizar uma Pinça para Projeto de Madeira (acessório opcional) em qualquer parte ao longo da extremidade.

## FIXAÇÃO COM GUIAS DE PINÇA



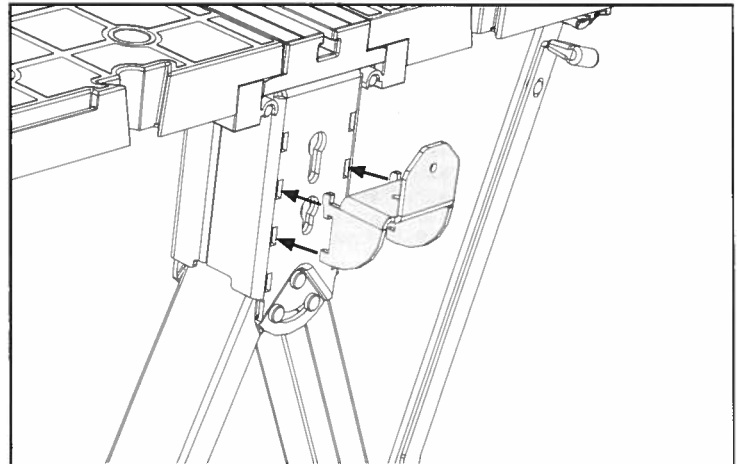
(1) Insira os Guias de Pinça nos furos, (2) posicione a peça de trabalho e (3) fixe.

## TORNO



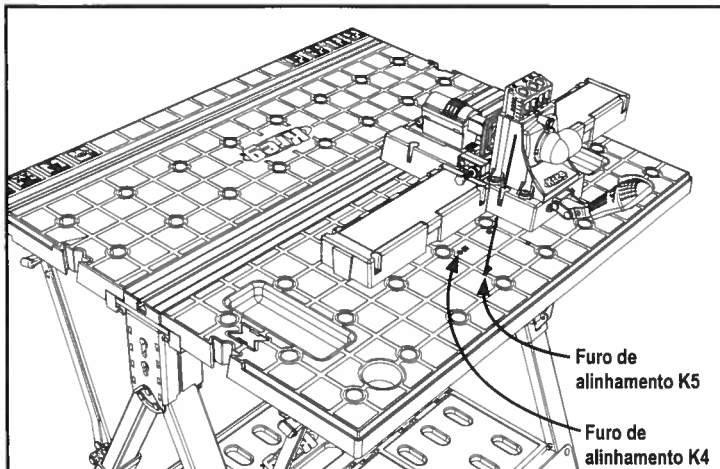
(1) Instale o Torno na ranhura mais baixa.  
(2) Instale o Suporte nas ranhuras do meio.  
(3) Coloque a peça de trabalho no Suporte e (4) fixar.

## POSIÇÃO DO SUPORTE: TORNO



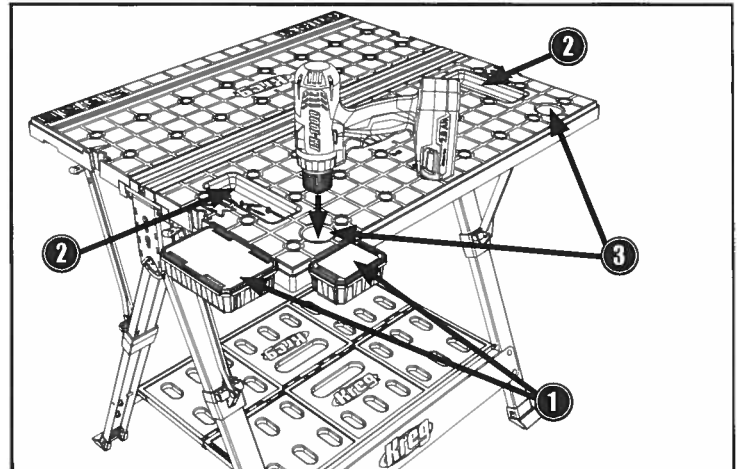
Monte o Suporte nas ranhuras do meio.

## MONTAR UM GABARITO KREG®



Alinhar o gabarito com os furos correspondente para K4 ou K5.

## CARACTERÍSTICAS ADICIONAIS



(1) Pendure os recipientes para parafusos Kreg nas extremidades dos tampos da mesa.

**ATENÇÃO** Pendure apenas recipientes Kreg para 100 e 250 parafusos.  
(2) Guarde as ferragens nos tabuleiros recuados.  
(3) Os Coldres para Berbequim mantêm os berbequins/parafusadoras acessíveis.

# Основные правила техники безопасности



## ПРЕДУПРЕЖДЕНИЕ

При использовании данного изделия с электрическими инструментами всегда помимо инструкций по технике безопасности, изложенных ниже, придерживайтесь инструкций производителя, т. к. это позволит снизить риск возгорания, поражения электрическим током и травматизма. Перед эксплуатацией изделия ознакомьтесь со всеми инструкциями. **СОХРАНИТЕ ЭТИ ИНСТРУКЦИИ.**

### 1) Техника безопасности на рабочем месте

- Рабочее место должно быть чистым и хорошо освещенным. Заваленное и темное рабочее место может стать причиной несчастного случая.
- Не пользуйтесь электрическими инструментами в опасной среде. Не пользуйтесь электрическими инструментами в сырых или влажных помещениях, а также под дождем.
- Не пользуйтесь электрическими инструментами во взрывоопасных средах, к примеру, вблизи легковоспламеняющихся жидкостей, газов или пыли. Электрические инструменты производят искры, которые могут спровоцировать возгорание газовых паров или пыли.
- Не используйте электрический инструмент в присутствии детей или посторонних. Отвлекающие факторы могут привести к потере контроля.
- Сделайте свою мастерскую безопасной для ребенка. Используйте висячие замки, рубильники, не оставляйте ключи в стартере.

### 2) Электробезопасность

- Заземляйте электрические инструменты. Инструмент, оборудованный штепсельной вилкой с тремя плоскими контактами, можно включать только в заземленную электрическую розетку с тремя отверстиями. Если у вас нет правильной розетки, попросите квалифицированного электрика ее установить. Ни при каких обстоятельствах не удаляйте третий контакт и не изменяйте предоставленный штепсель.
- Не оставляйте электрические инструменты под дождем или во влажных условиях. При попадании воды в электрический инструмент возрастает риск поражения электрическим током.
- Используйте удлинительный шнур строго по назначению. Не тяните за шнур, чтобы перенести, перетащить или отключить электрический инструмент от сети питания. Храните шнур вдали от источников тепла, масла, острых краев или подвижных частей. Поврежденные или запутанные шнуры повышают риск поражения электрическим током.
- Пользуйтесь соответствующим удлинительным шнуром и следите за тем, чтобы он был в хорошем состоянии. Убедитесь, что удлинительный шнур, которым вы пользуетесь, достаточно широк, чтобы проводить необходимую для вашего электрического инструмента силу тока. Слишком тонкий шнур способствует падению напряжения в сети, что в свою очередь ведет к потере электроснабжения и перегреванию. В Таблице 1 приведено правильное значение калибра провода в зависимости от его длины и номинального тока, указанного на шильдике инструмента. В случае сомнений пользуйтесь следующим, более высоким калибром. Чем меньше калибр, тем толще шнур.
- Во время работы с электрическими приборами старайтесь не контактировать с заземленными поверхностями, такими как трубы, радиаторы, кухонные плиты и холодильники. Контакт с заземленной поверхностью повышает риск поражения электрическим током.

### 3) Индивидуальная техника безопасности

- Во время работы с электрическим инструментом будьте бдительны, следите за тем, что вы делаете, пользуйтесь здравым смыслом. Не пользуйтесь электрическим инструментом, когда вы устали или находитесь под воздействием наркотических веществ, алкоголя или лекарственных препаратов. При работе с электрическими инструментами потеря внимания всего на доли секунды может привести к серьезной травме.
- Всегда надевайте защитные очки. Повседневные очки не являются защитными. Защитные очки оснащены специальными линзами, оправой и боковыми щитками.
- Пользуйтесь средствами защиты. Всегда надевайте защитную маску или респиратор, если выполняемая операция приводит к образованию пыли. В соответствующих условиях такие средства индивидуальной защиты, как противопылевой респиратор, нескользящая защитная обувь, каска и средства защиты органов слуха снижают риск травматизма.
- Не допускайте случайного включения. Перед тем, как подключить электрический инструмент к электросети, убедитесь, что кнопка питания находится в положении выключения. Перемещение электрических инструментов, держа палец на кнопке питания, или подключение электрических инструментов к электросети с кнопкой питания в положении включения приводит к несчастным случаям.
- Перед тем как включить электрический инструмент, уберите любые гаечные и инструментальные ключи. Гаечный или инструментальный ключ, забытый на вращающейся детали электрического инструмента, может привести к травме.
- Не тянитесь слишком сильно. При любых обстоятельствах сохраняйте равновесие и крепко стойте на ногах. Это позволяет лучше контролировать электрический инструмент в неожиданных ситуациях.
- Фиксируйте обрабатываемые изделия. При необходимости фиксируйте изделие при помощи зажимов или тисков. Это безопаснее, чем придерживать его рукой, и освобождает обе руки для управления инструментом.
- Никогда не становитесь на оборудование. Случайный контакт с режущим инструментом или режущей кромкой инструмента может привести к серьезной травме.
- Одевайтесь соответственно. Не надевайте свободную одежду или украшения. Следите за тем, чтобы ваши волосы, одежда и перчатки находились как можно дальше от подвижных частей. Свободная одежда, украшения или длинные волосы могут попасть в подвижные части. Закатайте длинные рукава до локтей. Уберите длинные волосы под защитную повязку, кепку или каску.
- Если к инструментам предполагается подключение оборудование для сбора и удаления пыли, проследите за тем, чтобы оно было подключено и правильно эксплуатировалось. Пользуйтесь этими устройствами для снижения опасностей, связанных с пылью.

### 4) Эксплуатация и уход за электрическими инструментами

- Следите за тем, чтобы предохранители находились на положенном им месте и в рабочем состоянии.
  - Пользуйтесь электрическим инструментом согласно инструкции. Правильно выбирайте электрический инструмент для работы. Правильный электрический инструмент выполняет работу лучше и безопаснее на своей расчетной мощности.
  - Пользуйтесь соответствующим инструментом. Не используйте инструмент или насадку для работы, для которой они не предназначены.
  - Не пользуйтесь электрическим инструментом, если он не включается или не выключается кнопкой питания. Любой электрический инструмент, которым нельзя управлять при помощи кнопки включения или отключения питания, представляет собой опасность и требует ремонта.
  - Перед изменением любых настроек, сменой насадок или хранением вынимайте вилку электрического инструмента из розетки и/или извлекайте из него аккумулятор. Эти меры предосторожности позволяют снизить риск случайного включения инструмента.
  - Никогда не оставляйте без присмотра работающий инструмент. Отключите питание. Не оставляйте инструмент без присмотра до тех пор, пока он полностью не выключится.
  - Храните электрические инструменты, которыми вы не пользуетесь, в недоступном для детей месте. Не разрешайте лицам, которые не знакомы с этим электрическим инструментом и данными инструкциями, пользоваться этим электрическим инструментом. Электрические инструменты могут представлять опасность в руках невалифицированных пользователей.
  - Уход за электрическими инструментами. Проверяйте электрический инструмент на целостность и комплектацию подвижных частей, на наличие поломанных деталей и любые другие параметры, которые могут повлиять на его работу. В случае поломки обязательно отремонтируйте электрический инструмент перед тем, как его использовать. Многие несчастные случаи происходят в результате неправильного технического обслуживания электрических инструментов.
  - Следите за чистотой и остротой режущих инструментов. Режущие инструменты с острыми режущими кромками, за которыми надлежащим образом следят, намного реже гнутся и ими легче пользоваться.
  - Работайте на той скорости, которая рекомендована для этого режущего инструмента или аксессуара и обрабатываемого изделия.
  - Пользуйтесь только теми запчастями и аксессуарами, которые рекомендует производитель. Рекомендованные аксессуары см. в руководстве пользователя. Использование несоответствующих аксессуаров может стать причиной травмы.
  - Используйте электрический инструмент, аксессуары и насадки в соответствии с этими инструкциями и в порядке, предусмотренном для электрического инструмента такого типа, с учетом условий эксплуатации и выполняемой работы. Использование этого электрического инструмента не в соответствии с его предназначением может привести к возникновению опасной ситуации.
- ### 5) Обслуживание
- Мы настоятельно рекомендуем, чтобы ваш электрический инструмент обслуживал квалифицированный специалист, использующий только идентичные запчасти. Это позволит обеспечить безопасную работу инструмента в дальнейшем.

### 6) Специальные инструкции по технике безопасности мобильного рабочего стола Kreg Mobile Project Center

- При установке столешниц возьмите столешницу обеими руками за внешние углы и потяните вверх. Убедитесь, что фиксаторы встали на свои места.
- При складывании столешниц обеими руками возьмитесь за фиксаторы. Потяните фиксаторы на себя и сложите столешницу. Следите за тем, чтобы ваши руки не попали в зоны защемления.
- Всегда работайте на сухой, ровной поверхности.
- Работая с электрическими инструментами на мобильном рабочем столе Mobile Project Center, следуйте инструкциям по технике безопасности их производителя.
- Чтобы инструмент не упал, всегда располагайте его по центру профиля Clamp Track.
- При использовании двух мобильных рабочих столов Mobile Project Center в режиме Grid («Каркас») для усиления рекомендуется применять один или два поперечных элемента 2x4.
- Мобильный рабочий стол Mobile Project Center не рекомендуется использовать на улице во влажную погоду.
- Всегда храните мобильный рабочий стол Mobile Project Center в помещении или в защищенном от атмосферных условий месте.
- Не сидите и не стойте на мобильном рабочем столе Mobile Project Center, а также не используйте его как строительную платформу или для других целей, не указанных в данном руководстве.
- Не становитесь на полочку.
- Не вешайте ничего на мобильный рабочий стол Mobile Project Center, за исключением случаев, указанных в данном руководстве.

# Основные правила техники безопасности

## Инструкции по применению удлинительного шнура

Удлинительными шнурами следует пользоваться только в качестве временной меры. Они не освобождают от необходимости устанавливать розетки и надлежащую разводку.

### В мастерской и на строительных площадках:

1. Удлинительные шнуры следует всегда использовать с проводом для заземления оборудования.
2. Удлинительные шнуры следует защищать от повреждений и не протягивать через дверные проемы или окна, если эти двери или окна могут закрыться и повредить шнур.
3. Удлинительные шнуры должны быть не менее 16 AWG (1,29 мм в диаметре) и подходить для используемого оборудования.
4. Удлинительные шнуры следует периодически проверять на изоляцию и электропроводимость.
5. Удлинительные шнуры запрещается прокладывать в воде или подключать к оборудованию, на которое может попадать вода.

ТАБЛИЦА 1

Значение номинального тока на шильдике @ 120 В	Длина удлинительного шнура					
	25'	50'	75'	100'	150'	200'
	Рекомендованный калибр провода					
0 - 5	16	16	16	14	12	12
5.1 - 8	16	16	14	12	10	HP
8.1 - 12	14	14	12	10	HP	HP
12.1 - 16	12	12	HP	HP	HP	HP

HP — не рекомендуется



### РИСК ПОРАЖЕНИЯ ЭЛЕКТРИЧЕСКИМ ТОКОМ

Металлические части данного изделия проводят электричество. Не создавайте условий, ведущих к электрическому контакту. Неправильно заземленные электрические инструменты создают опасность поражения электрическим током, что может привести к серьезным травмам или смерти, в частности при использовании таких инструментов в сырых помещениях, вблизи водопроводных систем или других заземленных поверхностей, а также на улице.

**! ПРЕДУПРЕЖДЕНИЕ** Пыль, образовавшаяся в результате шлифовальных, распиловочных, дробильных, сверлильных и других строительных работ, может содержать химические элементы, которые по информации, имеющейся у администрации штата Калифорния, могут вызывать рак, пороки развития плода или оказывать иное негативное влияние на репродуктивную функцию. Примеры таких химических веществ:

- a) свинец, содержащийся в красителях на свинцовой основе;
- b) кристаллический диоксид кремния, содержащийся в кирпичах, цементе и других стеновых камнях и блоках;
- c) мышьяк и хром, содержащиеся в обработанных химическими средствами древесине.

Опасность воздействия этих химических элементов для вас зависит от того, как часто вы выполняете те или иные виды работ. Чтобы снизить такую опасность, работайте в хорошо проветриваемых помещениях, пользуясь рекомендованными средствами защиты, такими как пылезащитный респиратор, который специально предназначен для фильтрации микроскопических частиц.

## Объяснение предупреждающих символов на мобильном рабочем столе



Не используйте несимметричную нагрузку.



Не становитесь на мобильный рабочий стол Mobile Project Center.



Не садитесь на мобильный рабочий стол Mobile Project Center.



Не становитесь на полочку.



Всегда надевайте защитные очки.



Максимальная нагрузка при использовании обеих столешниц: 350 фунтов [158 кг] при равномерном распределении; 100 фунтов [45 кг] при неравномерном распределении на одну из частей стола



Максимальная нагрузка, два мобильных рабочих стола Mobile Project Center со сложенными столешницами: 2200 фунтов [997 кг]



Максимальная нагрузка на полочку: 25 фунтов [11 кг]

## Ограниченная гарантия на мобильный рабочий стол Kreg Mobile Project Center

Компания Kreg Tool Company предоставляет только первоначальному покупателю гарантию того, что мобильный рабочий стол Kreg Mobile Project Center прослужит без дефектов с точки зрения материалов и изготовления в течение 3 (трех) лет с даты покупки. Компания Kreg Tool Company по собственному усмотрению отремонтирует или заменит любое дефектное изделие (или его компонент), которое будет выявлено в течение указанного гарантийного периода. Данная гарантия распространяется только на изделия, которые используются в соответствии со всеми инструкциями, предоставленными компанией Kreg Tool Company в соответствующих каталогах, руководствах и/или сборниках инструкций.

Действие этой гарантии начинается после того, как первоначальный владелец надлежащим образом регистрирует изделие, полностью заполнив регистрационную форму на веб-сайте ([www.kregtool.com](http://www.kregtool.com)), или позвонит в отдел обслуживания клиентов компании Kreg Tool Company (1-800-447-8638).

Эта гарантия становится недействительной и теряет законную силу, если (1) изделием неправильно пользовались или его неправильно хранили; (2) изделие пострадало в результате несчастного случая, небрежного отношения, причинения ущерба или при других обстоятельствах, не поддающихся контролю со стороны компании Kreg Tool Company; (3) изделие подверглось модификациям, демонтажу, манипуляциям, изменению или ремонту, которые не были санкционированы компанией Kreg Tool Company; (4) для лиц, которые не являются первоначальными покупателями. Данная гарантия не распространяется на естественный износ, коррозию, истирание или ремонт, требующийся по естественным причинам или в связи со стихийным бедствием.

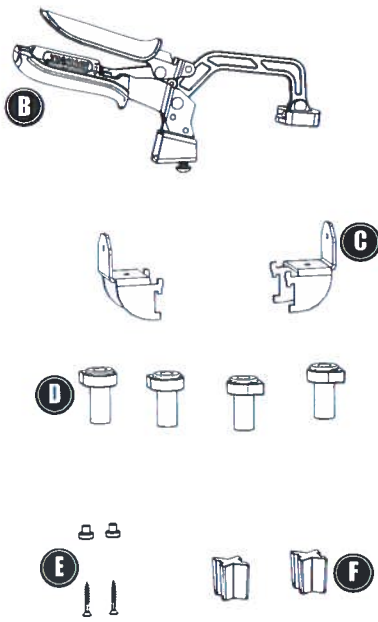
Это единственная гарантия, предоставляемая компанией Kreg Tool Company. Все остальные гарантии, потенциально подразумеваемые по закону, включая гарантии товарного состояния и пригодности для использования по назначению, настоящим ограничиваются сроком действия данной гарантии. Компания Kreg Tool Company не несет ответственности за какие бы то ни было убытки, ущерб или расходы, прямо или косвенно связанные с использованием ее продукции или возникшие по любым другим причинам, а также за последующий ущерб (включая, помимо прочего, потерю времени, неудобство и производственные потери). Приведенная в данном документе гарантия не подлежит изменениям и является единственной гарантией, выраженной или подразумеваемой, которая предоставляется компанией Kreg Tool Company или от ее имени.

Следующую информацию рекомендуется сохранить, поскольку она будет вам полезна для оформления гарантийного требования. Для полного комплекта необходимо приложить копию документа, подтверждающего покупку.

Дата покупки: \_\_\_/\_\_\_/\_\_\_

Место продажи: \_\_\_\_\_

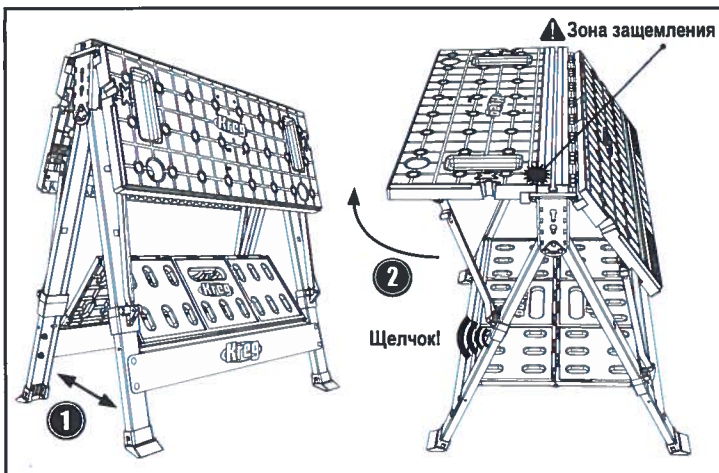
# ЗАПАСНЫЕ ЧАСТИ



## В комплекте поставки:

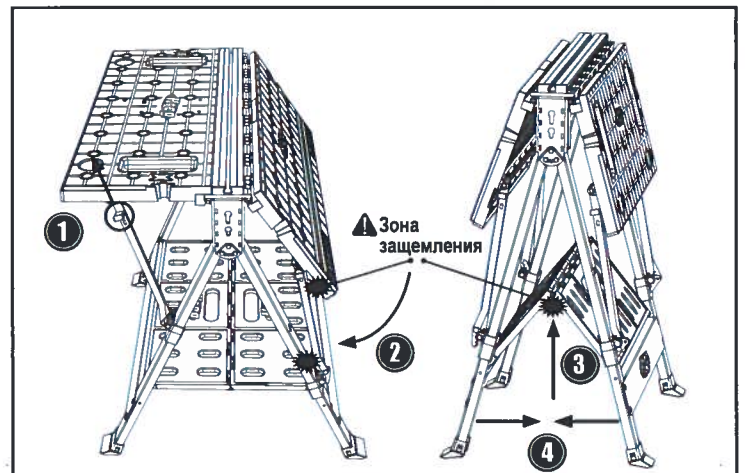
- (A) Мобильный рабочий стол Mobile Project Center
- (B) 3-дюймовый верстачный прижим с механизмом Automaxx®
- (C) Опорные кронштейны (2)
- (D) Верстачные упоры Kreg® Bench Dog (4)
- (E) Втулки Trak (2) and винты (2)
- (F) Соединительные замки (2)

## СБОРКА



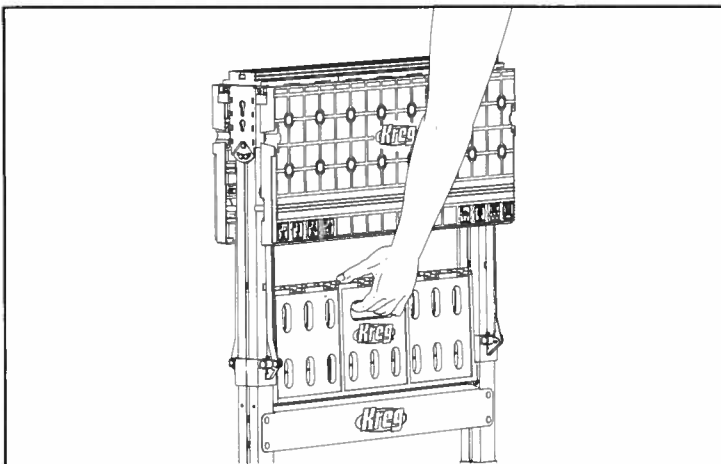
- (1) Расставьте ножки.
- (2) Поднимите столешницы. Убедитесь, что замки всех фиксаторов закрыты.

## СКЛАДЫВАНИЕ



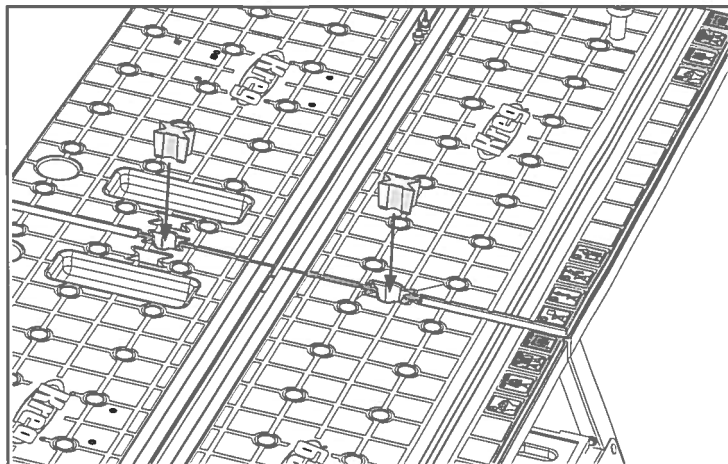
- (1) Приподнимите фиксаторы, чтобы открыть замки. (2) Опустите столешницы. (3) Поднимите полочку. (4) Сдвиньте ножки.

## ПЕРЕМЕЩЕНИЕ



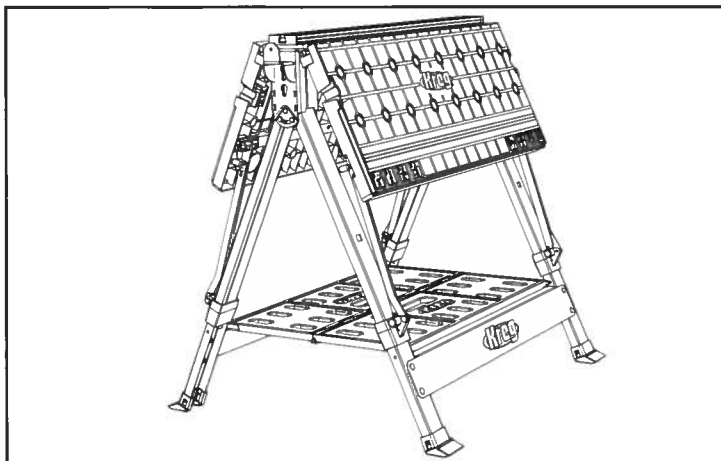
Во избежание случайного раскрытия всегда носите стол за отверстия для рук в полочке.

## СОЕДИНЕНИЕ



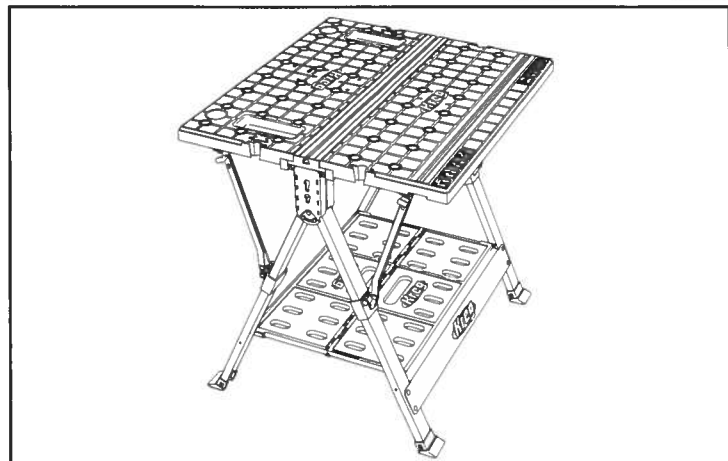
Два мобильных рабочих стола Mobile Project Center крепятся между собой соединительными замками.

## ПИЛЬНЫЕ КОЗЛЫ



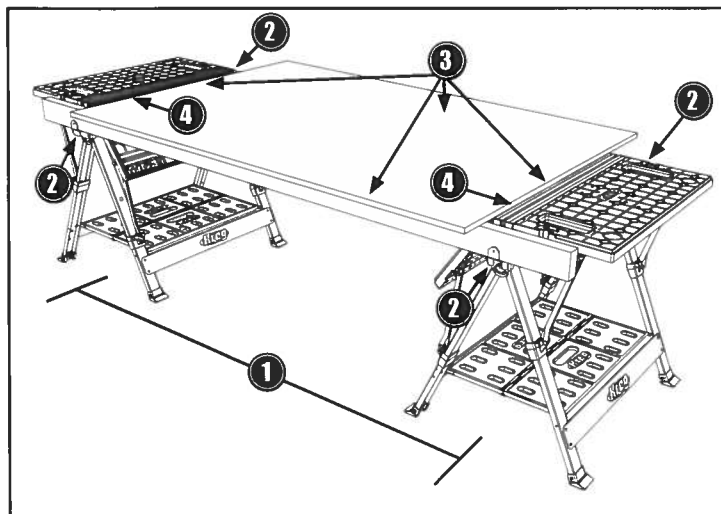
Ножки расставлены, столешницы сложены

## СТОЛ



Ножки расставлены, столешницы разложены

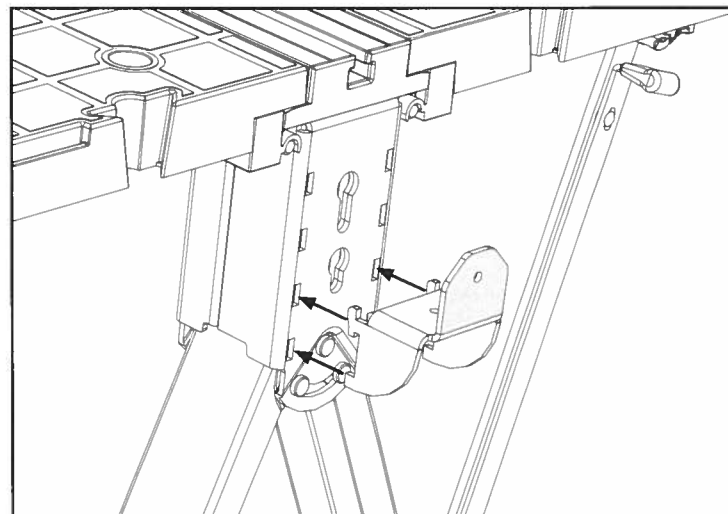
## СБОРКА РАЗЛОЖЕННОГО СТОЛА



- (1) Два мобильных рабочих стола Mobile Project Center размещают на расстоянии не более 7 футов (около 2 м) друг от друга.
- (2) Опорные кронштейны устанавливают в самое нижнее положение, один поперечный элемент 2x4 для каждой пары кронштейнов.
- (3) 3/4-дюймовый лист фанеры устанавливается на поперечные элементы 2x4 и на края обеих сложенных столешниц.
- (4) Края фанерного листа плотно прижимаются к обоим профилям Clamp Traks.
- (5) Необходимо равномерно распределить вес.

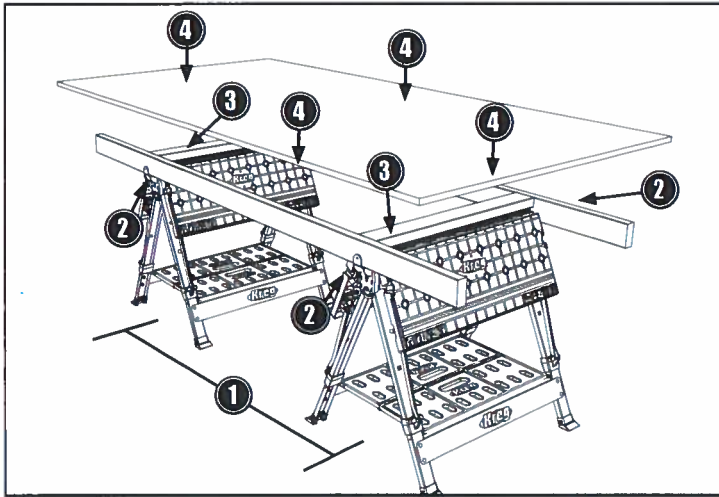
**⚠ ПРЕДУПРЕЖДЕНИЕ** Максимальная нагрузка: 2200 фунтов [998 кг]

## ПОЛОЖЕНИЕ КРОНШТЕЙНОВ: РАЗЛОЖЕННЫЙ СТОЛ



Установите опорные кронштейны в нижние пазы.

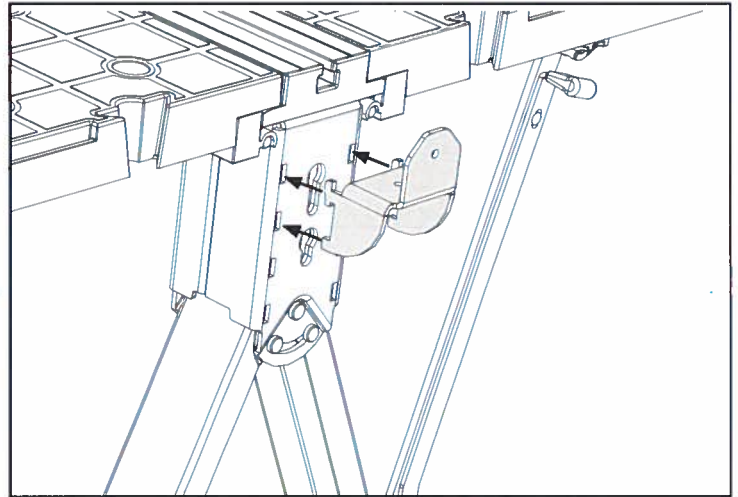
## СБОРКА СТОЛА ДЛЯ РЕЗКИ



- (1) Два мобильных рабочих стола Mobile Project Center размещают на расстоянии не более 7 футов (около 2 м) друг от друга.
- (2) Опорные кронштейны устанавливаются в самое верхнее положение, один поперечный элемент 2x4 на каждую пару кронштейнов.
- (3) На каждый мобильный рабочий стол Mobile Project Center установлен расходный поперечный элемент 2x4. (См. МОНТАЖ РАСХОДНОГО ПОПЕРЕЧНОГО ЭЛЕМЕНТА 2x4.)
- (4) 3/4-дюймовый лист фанеры лежит на поперечных элементах 2x4 и расходных поперечных элементах 2x4.
- (5) Необходимо равномерно распределить вес.

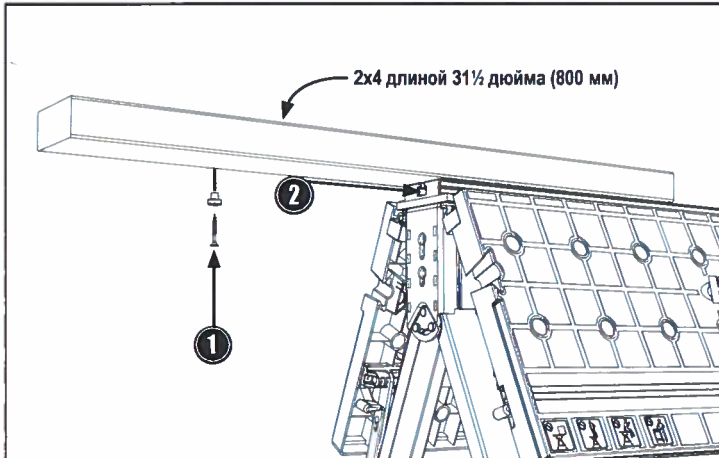
**ПРЕДУПРЕЖДЕНИЕ:** Максимальная нагрузка: 2200 фунтов [998 кг]

## ПОЛОЖЕНИЕ КРОНШТЕЙНОВ: СТОЛ ДЛЯ РЕЗКИ



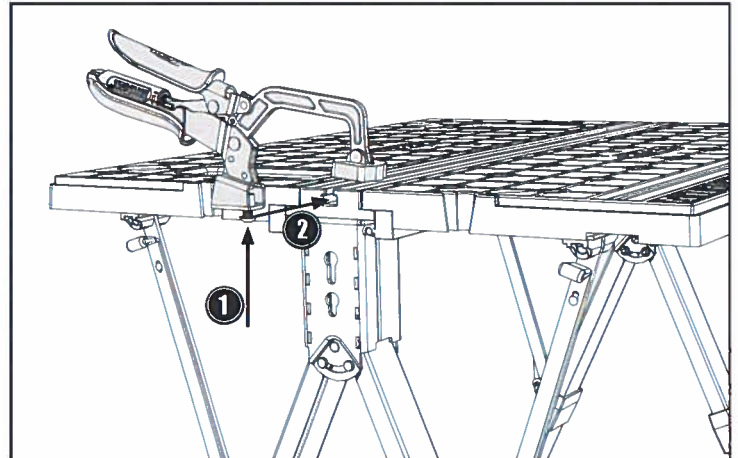
Установите опорные кронштейны в верхние пазы.

## МОНТАЖ РАСХОДНОГО ПОПЕРЕЧНОГО ЭЛЕМЕНТА 2x4



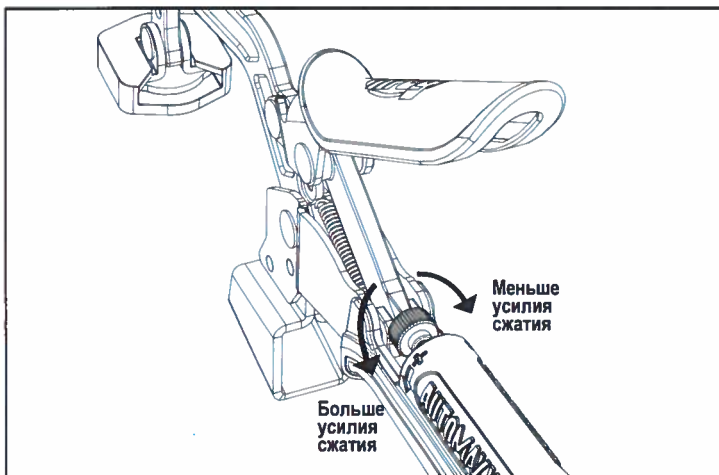
- (1) Закрепите втулки Trak на поперечном элементе 2x4 и (2) сдвиньте их в T-образный паз.

## МОНТАЖ ВЕРСТАЧНОГО ПРИЖИМА

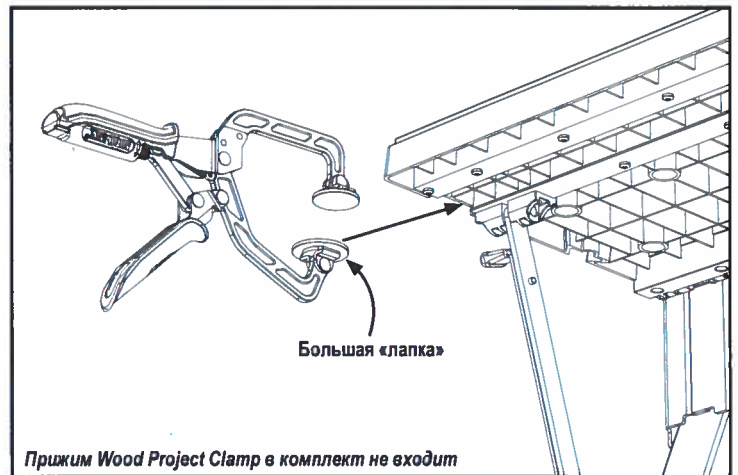


- (1) Отрегулируйте анкерный винт зажима и (2) сдвиньте его в T-образный паз.

## НАСТРОЙКА УСИЛИЯ СЖАТИЯ ВЕРСТАЧНОГО ПРИЖИМА



## ИСПОЛЬЗОВАНИЕ ПРИЖИМА KREG WOOD PROJECT CLAMP

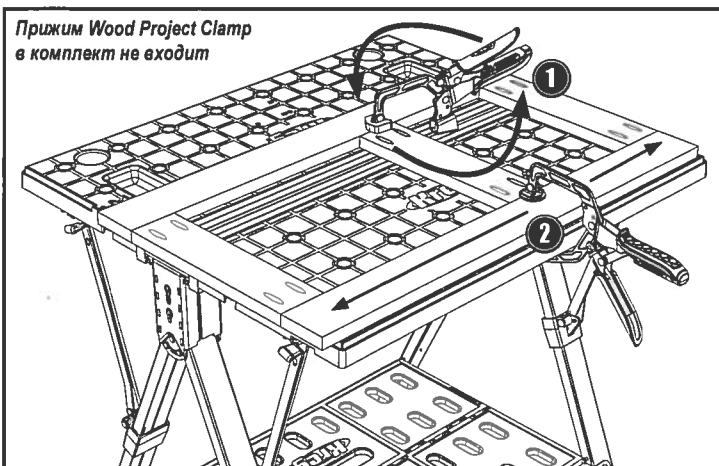


Прижим Wood Project Clamp в комплект не входит

Установите зажим с большой «лапкой» в T-образное отверстие.

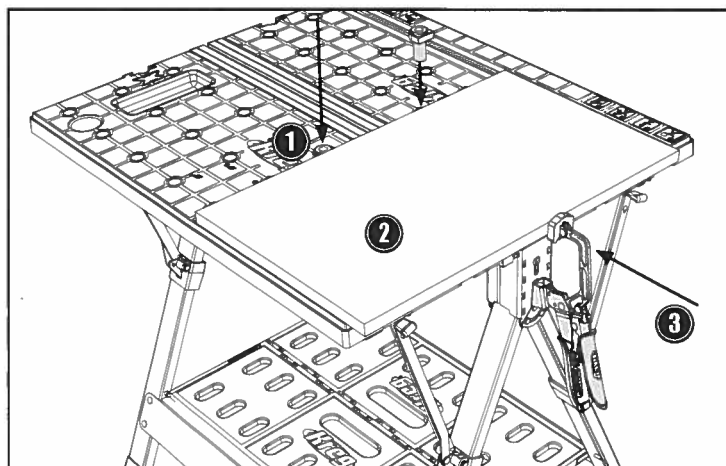
## ФИКСАЦИЯ НА СТОЛЕ

Прижим Wood Project Clamp  
в комплект не входит



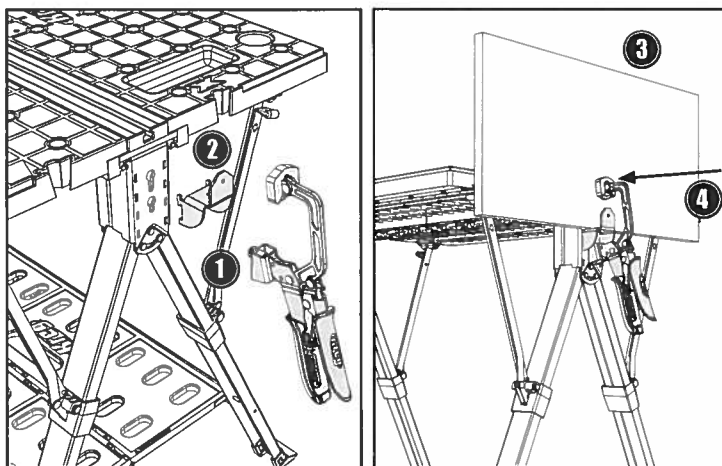
(1) Верстачный прижим поворачивается на 360°. (2) Переместите прижим Wood Project Clamp (дополнительный аксессуар) в любое место вдоль края.

## ФИКСАЦИЯ ПРИ ПОМОЩИ ВЕРСТАЧНЫХ УПОРОВ



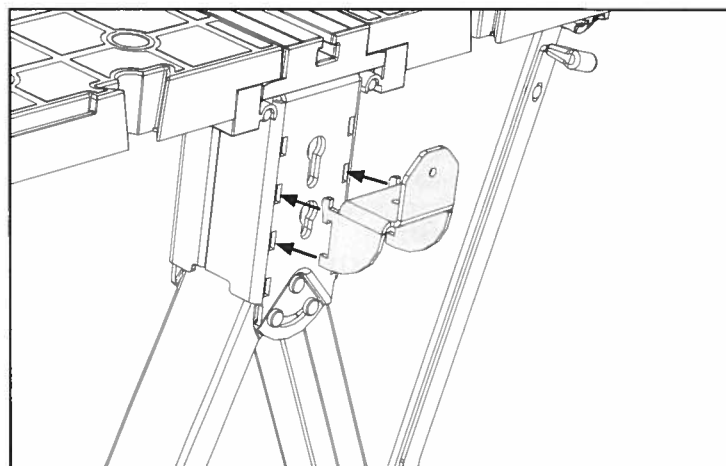
(1) Вставьте верстачные упоры в отверстия, (2) установите обрабатываемое изделие и (3) зажмите.

## ТИСКИ



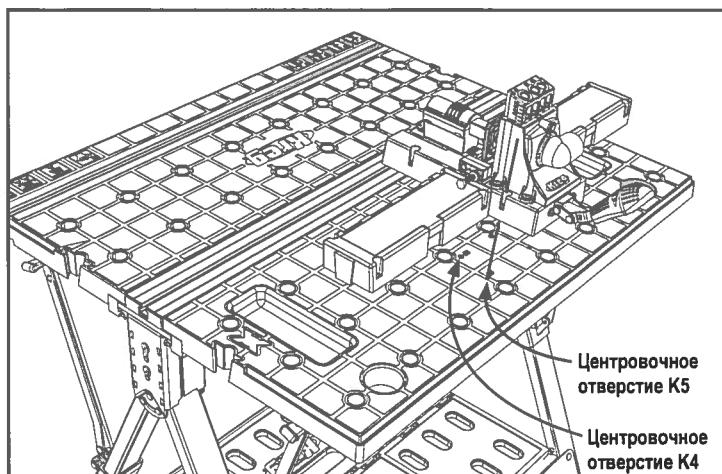
(1) Установите верстачный прижим в нижнее монтажное отверстие.  
(2) Установите опорный кронштейн в средние отверстия.  
(3) Поместите обрабатываемое изделие на кронштейн и (4) зажмите.

## ПОЛОЖЕНИЕ КРОНШТЕЙНОВ: ТИСКИ



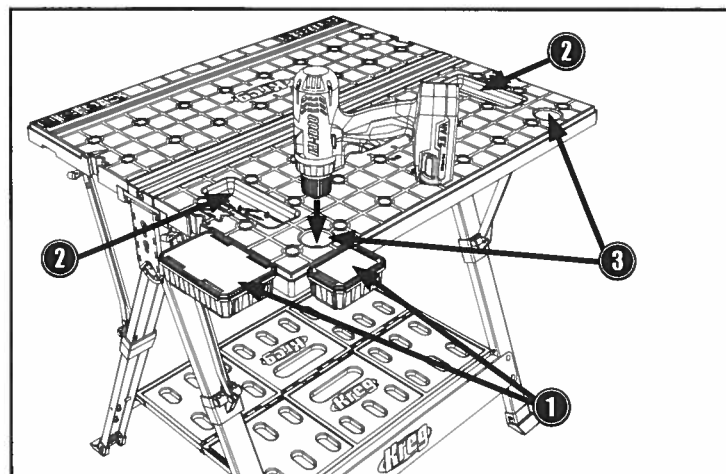
Установите опорный кронштейн в средние пазы.

## МОНТАЖ СИСТЕМЫ KREG JIG®



Совместите фиксирующее приспособление с соответствующими отверстиями — либо K4, либо K5.

## ДОПОЛНИТЕЛЬНЫЕ ФУНКЦИИ



(1) Прикрепите фирменные контейнеры для винтов к краям столешниц.

**ВНИМАНИЕ!** Размещайте только фирменные контейнеры Kreg на 100 и 250 винтов.  
(2) Храните крепежные изделия в углублениях столешниц.  
(3) В специальных отверстиях удобно размещать дрель/отвертку.

# Allmänna säkerhetsanvisningar

**!** **VARNING** När du använder eldrivna verktyg tillsammans med den här produkten ska du alltid följa verktygstillverkarens anvisningar utöver säkerhetsföreskrifterna nedan för att minska risken för brand, elstötar och personskador. Läs alla dessa anvisningar innan du börjar använda produkten. **SPARA DE HÄR ANVISNINGARNA.**

## 1) Säkerhet i arbetsområdet

- Se till att arbetsytan hålls ren och är välbelyst.** Belamrade eller mörka platser ökar olycksrisken.
- Använd inte elverktyg i farliga miljöer.** Använd inte elverktyg i fuktiga eller våta miljöer, och exponera dem inte för regn.
- Använd inte elverktyg i miljöer med explosionsrisk, till exempel i närheten av lättantändliga vätskor, gaser eller damm.** Elverktyg skapar gnistor som gör att ångor och damm kan antändas.
- Håll barn och kringstående på avstånd när du använder ett elverktyg.** Om du blir distraherad kan du tappa kontrollen.
- Barnsäkra verkstaden.** Använd hängglås, huvudbrytare och avlägsna startnycklar.

## 2) Elsäkerhet

- Jorda elverktygen.** Om verktyget är utrustat med en trestiftkontakt får den bara anslutas till ett jordat eluttag med tre hål. Om det inte finns något sådant uttag låter du en behörig elektriker installera ett. Avlägsna aldrig det tredje stiftet och ändra heller inte den medföljande kontakten på något sätt.
- Exponera inte elverktyg för regn eller väta.** Vatten som tränger in i elverktyget ökar risken för elstöt.
- Hantera sladden varsamt.** Använd aldrig sladden för att bära, dra eller koppla ur elverktyget. Håll sladden på avstånd från värmekällor, olja, vassa kanter och rörliga delar. Skadade eller trassliga sladdar ökar risken för elstöt.
- Använd en lämplig förlängningsladd och se till att den är i bra skick.** När du använder en förlängningsladd ska du se till att den är dimensionerad för att klara den spänning som elverktyget kräver. En underdimensionerad sladd medför ett spänningsfall, vilket i sin tur resulterar i strömavbrott och överhettning. **Tabell 1** visar korrekt ledartjocklek att använda beroende på sladdens längd och verktygets amperemärkning på namnplåten. Om du är osäker använder du en storlek större. Ju lägre nummer, desto kraftigare sladd.
- Undvik kroppskontakt med jordade eller jordförbundna ytor som rör, element, spis och kylskåp när du använder elverktyg.** Kontakt med en jordad yta ökar risken för elstöt.

## 3) Personssäkerhet

- Var uppmärksam, ha noggrann översikt över vad du gör och använd sunt förnuft när du använder ett elverktyg.** Använd inte ett elverktyg när du är trött eller påverkad av droger, alkohol eller läkemedel. Ett ögonblicks ouppmärksamhet när du använder elverktyg kan resultera i allvarliga personskador.
- Använd alltid skyddsglasögon.** Vanliga glasögon är inte skyddsglasögon. Skyddsglasögon har specialtillverkade linser, bågar och sidoskydd.
- Använd skyddsutrustning.** Använd en ansikts- eller dammfiltermask när kapningsarbete ger upphov till damm. Risken för personskador minskar när lämplig skyddsutrustning, som dammfiltermask, halkfria skyddsskor, skyddshjälm och hörselskydd, används vid arbetet.
- Undvik ofrivillig start av verktyget. Se till att strömställaren är i avstängt läge innan du kopplar in elverktyget.** Om du bär elverktyget med fingret mot strömställaren eller ansluter påkopplat elverktyg till nätströmmen ökar du risken för olyckor.
- Avlägsna alla inställningsverktyg och skruvnycklar innan du sätter på strömmen till elverktyget.** Om en skruvnyckel eller inställningsnyckel lämnas på en roterande del av elverktyget kan det resultera i personskador.
- Stå så att du inte behöver sträcka dig för långt. Håll hela tiden god balans och ha bra fotfäste.** Det ger bättre kontroll över elverktyget vid oförutsedda händelser.
- Sätt fast arbetsmaterialet.** Använd klämmor eller tving för att hålla fast materialet när det är möjligt. Det är säkrare än att hålla i det och du har båda händerna fria till att manövrera verktyget.
- Stå aldrig på maskinen.** Om verktyget välter eller om oavsiktlig kontakt med kapverktyget uppstår kan följden bli allvarliga skador.
- Använd lämpliga kläder.** Använd inte löst åtsittande kläder eller smycken. Håll hår, kläder och handskar på avstånd från rörliga delar. Lösa kläder, smycken och långt hår kan fastna i de rörliga delarna. Kavla upp långa ärmor till armbågarna. Använd hårnät för att hålla tillbaka långt hår.
- Om enheter har utrustning för dammsugning och -uppsamling ska du säkerställa att den är korrekt monterad och att den används på rätt sätt.** Användning av sådan utrustning kan minska risken för de olyckor som damm kan orsaka.

## 4) Användning och hantering av elverktyg

- Håll skydden på plats och se till att de är väl fungerande.**
  - Överbelasta inte elverktyget.** Använd rätt elverktyg för avsett ändamål. Genom att använda rätt verktyg blir jobbet bättre och säkrare gjort.
  - Använd rätt verktyg.** Forcera inte verktyget eller tillbehöret till ett jobb det inte är avsett att användas till.
  - Använd inte elverktyget om strömknappen inte går att slå på/stänga av.** Alla elverktyg som inte går att kontrollera med strömknappen är farliga att använda och måste repareras.
  - Innan du ändrar, gör några inställningar, byter tillbehör eller lägger undan elverktyget ska kontakten till strömkällan eller batteriet tas bort.** Sådana försiktighetsåtgärder minskar risken för att elverktyget startas av misstag.
  - Lämna aldrig elverktyget obevakat när det är igång. Stäng av strömmen.** Lämna inte verktyget förrän det stannat helt.
  - Förvara elverktyg utom räckhåll för barn och låt inte personer som är ovana vid elverktyg och inte läst dessa anvisningar använda dem.** Elverktyg är farliga i händerna på personer som inte är vana vid att använda dem.
  - Underhåll elverktyg.** Kontrollera att det inte råder obalans och att rörliga delar inte kärvar, att inga delar är sönder och var uppmärksam på andra tillstånd som kan påverka användningen av elverktyget. Om elverktyget är skadat måste det repareras innan du använder det. Många olyckor orsakas av dåligt underhållna elverktyg.
  - Håll kapverktyg slipade och rena.** Välskötta kapredskap med slipade blad kärvar inte lika lätt och är lättare att kontrollera.
  - Använd rekommenderad hastighet för kapverktyget eller tillbehöret och arbetsmaterialet.**
  - Använd endast delar och tillbehör som rekommenderas av tillverkaren.** Information om rekommenderade tillbehör finns i ägarhandboken. Användning av olämpliga tillbehör kan resultera i personskador.
  - Använd elverktyget, tillbehören och bits enligt beskrivningen i handboken och på det sätt den specifika typen av elverktyg är avsedd att användas. Ta hänsyn till förutsättningarna och momenten som ska utföras.** Användning av elverktyg till annat än vad det är ämnat för kan resultera i mycket farliga situationer.
- ## 5) Service
- Låt ditt elverktyg repareras av kvalificerad servicepersonal som använder identiska reservdelar.** Detta säkerställer att elverktyget fortfarande är säkert att använda.

## 6) Säkerhetsanvisningar som är specifika för Kreg Mobile Project Center

- När du ska fälla ut bänkskivorna** fattar du tag med båda händerna om bänkskivornas utvändiga hörn och drar uppåt. Se till att spärrarna är helt låsta.
- När du ska fälla ihop bänkskivorna** fattar du tag med båda händerna om frigöringsflikarna. Dra upp flikarna och tryck på bänkskivan. Håll händerna på avstånd från punkter där det finns klämrisk.
- Arbeta alltid på en torr och plan yta.**
- När du använder elverktyg tillsammans med Mobile Project Center** ska du alltid följa verktygstillverkarens säkerhetsanvisningar.
- För att förhindra att produkten välter** ska du alltid montera bänkskivorna mitt över Clamp Track-kanalen.
- När du använder två Kreg Mobile Project Center-arbetsbänkar i kombination med varandra** rekommenderas du att använda ett eller två tvärstag på 50 × 100 mm för extra stöd.
- Mobile Project Center är inte avsedd för användning utomhus i fuktig miljö.**
- Förvara alltid Mobile Project Center inomhus eller på en plats som är skyddad från väder och vind.**
- Sitt eller stå inte på Mobile Project Center.** Använd heller inte Mobile Project Center som byggnadsställning eller för ändamål som inte anges i den här handboken.
- Kliv inte på hyllan.**
- Häng inte föremål på Mobile Project Center,** förutom så som anges i den här handboken.



# Allmänna säkerhetsanvisningar

## Riktlinjer för användning av förlängningsladd

Förlängningsladdar är endast avsedda att användas för tillfälligt bruk. De ersätter inte behovet av installation av uttag och korrekt kabeldragning där det är nödvändigt.

### I verkstaden och på byggarbetsplatser:

1. Förlängningsladdar med skyddsjordning måste alltid användas.
2. Förlängningsladdar måste alltid skyddas från skada. De får inte dras genom dörröppningar eller fönster där dörrar eller fönster kan stängas, vilket kan skada sladden.
3. Förlängningsladdar måste ha minst 16 AWG (1,3 mm<sup>2</sup>) och korrekt märkning för utrustningen som används.
4. Förlängningsladdar måste inspekteras regelbundet för att säkerställa att ledarnas isolering och ledningsförmåga inte äventyrats.
5. Förlängningsladdar får inte dras genom vatten eller ha anslutningar som kan exponeras för vattensamlingar.

TABELL 1

Namnplåt Ampere vid 120 V	Längd på förlängningsladd					
	25'	50'	75'	100'	150'	200'
	Rekommenderad ledartjocklek					
0-5	16	16	16	14	12	12
5.1-8	16	16	14	12	10	NR
8.1-12	14	14	12	10	NR	NR
12.1-16	12	12	NR	NR	NR	NR

NR – rekommenderas inte (Not Recommended)



### RISK FÖR ELSTÖT

Metalldelarna i den här produkten leder ström. Undvik alla situationer som orsakar elektrisk kontakt. Felaktigt jordade elverktyg utgör en risk för elstötar som kan resultera i allvarlig kroppsskada eller dödsfall, särskilt vid användning på fuktiga platser, i närheten av rörsystem och andra jordade ytor samt vid användning utomhus.



**! VARNING** Damm som bildas vid sandning, sågning, borming och andra arbetsuppgifter kan innehålla kemikalier som delstaten Kalifornien befunnit vara cancerframkallande och som orsakar fosterskador och andra skador på fortplantningsorganen. Exempel på sådana kemikalier är:

- a) Bly från blybaserade färger
- b) Kiseldioxid från tegelstenar och cement och andra murbruksprodukter
- c) Arsenik och krom från kemiskt behandlat trä

Risken för att du exponeras för dessa kemikalier varierar beroende på hur ofta du utför den här typen av arbete. För att minska exponeringen bör du arbeta på en plats med god ventilation och använda godkänd skyddsutrustning, som en dammfiltermask som är särskilt utformad för att filtrera bort mikroskopiska partiklar.

## Förklaring av säkerhetssymbolerna på Mobile Project Center



Fördela inte belastningen ojämnt.



Stå inte på Mobile Project Center.



Sitt inte på Mobile Project Center.



Stå inte på hyllan.



Använd alltid skyddsglasögon.



Maximal belastning, med båda bänkskivorna uppfällda: 158 kg jämnt fördelade; 45 kg jämnt fördelade på ena bänkskivan



Maximal belastning, två Mobile Project Center-arbetsbänkar, bänkskivorna nedfällda: 997 kg.



Maximal belastning på hyllan: 11 kg.

## Begränsad garanti för Kreg Mobile Project Center

Kreg Tool Company garanterar endast den ursprungliga köparen att Kreg Mobile Project Center är fri från defekter i material och arbetsutförande under en period på tre (3) år från inköpsdatumet. Under den här perioden kommer Kreg Tool Company, efter eget gottfinnande, reparera eller ersätta produkten (eller komponent i produkten) förutsatt att produkten befinns vara defekt under nämnda garantiperiod. Denna garanti gäller endast produkter som används i enlighet med samtliga anvisningar i kataloger, handböcker och/eller bruksanvisningar som tillhandahålls av Kreg Tool Company.

Denna garanti gäller endast om den ursprungliga köparen fyller i produktregistreringen online helt och korrekt ([www.kregtool.com](http://www.kregtool.com)) eller ringer Kreg Tool Company Customer Service (1-800-447-8638).

Denna garanti annulleras (1) om produkten har utsatts för felaktig användning, missbruk eller olämplig förvaring; (2) om produkten har utsatts för olycka, försummelse, skada eller andra omständigheter utom Kreg Tool Companys kontroll; (3) om produkten har utsatts för modifieringar, demontering, manipulationer, ändringar eller reparationer som inte auktoriserats av Kreg Tool Company; samt (4) för icke-ursprungliga köpare. Denna garanti täcker inte normalt slitage, korrosion, avskavningar eller reparationer som krävs till följd av naturliga orsaker eller force majeure.

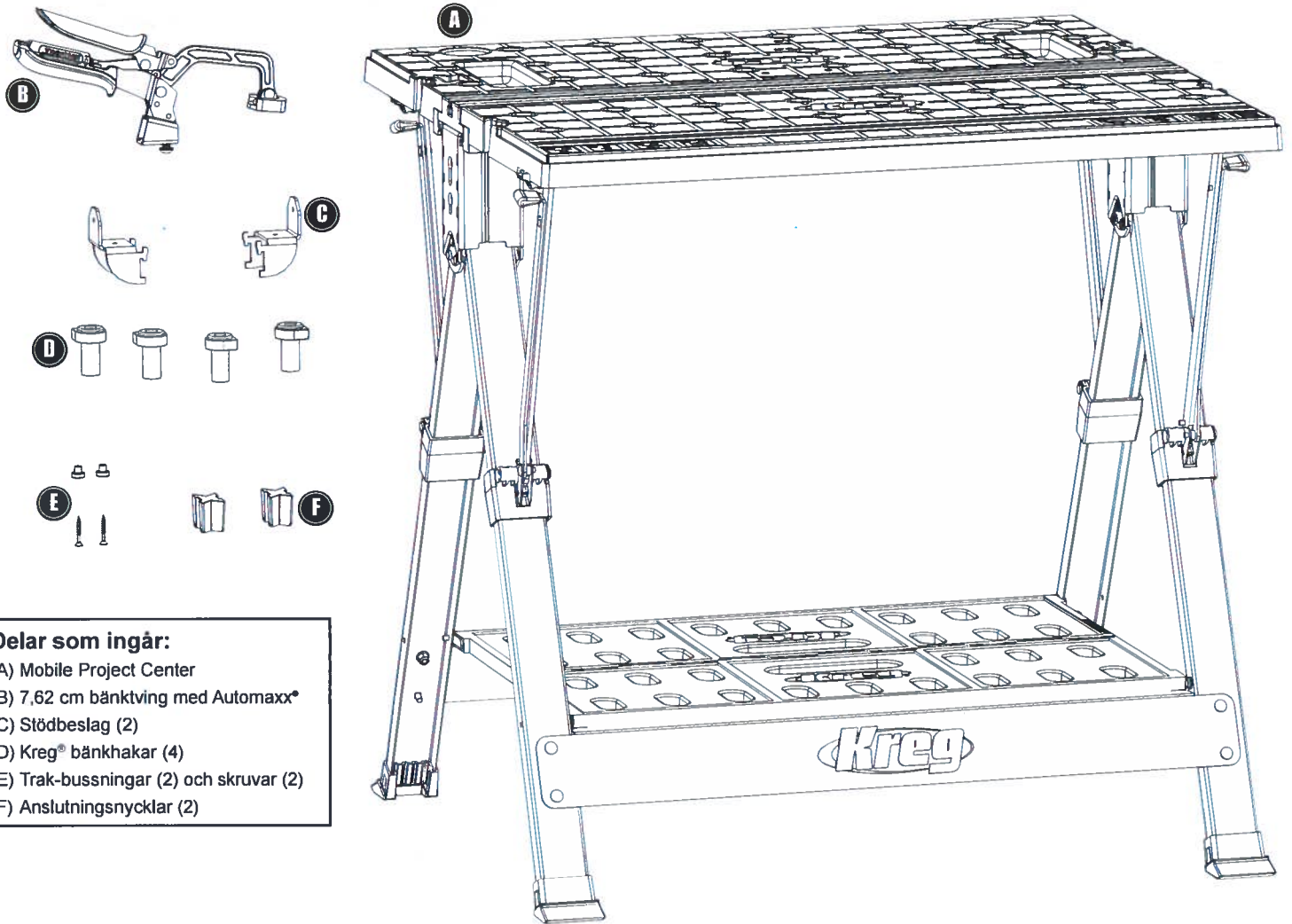
Det här är Kreg Tool Companys enda garanti. Alla andra garantier som kan vara underförstådda enligt lagstiftningen, inklusive eventuella garantier för säljbarhet eller lämplighet för ett visst ändamål, begränsas härmed till den här garantins giltighetsperiod. Kreg Tool Company kan inte hållas ansvarigt för förlust, skador eller utgifter som är en direkt eller indirekt följd av användning av företagets produkter eller till följd av andra orsaker eller följdskador (inklusive, utan begränsning, till tidsförlust, olägenheter och produktionsförlust). Garantin härifrån får inte modifieras och inga andra garantier, uttryckliga eller underförstådda, ska göras av eller på uppdrag av Kreg Tool Company.

Vi rekommenderar att du sparar följande uppgifter som är bra att ha till hands i händelse av ett garantianspråk. Handlingarna är kompletta tillsammans med en kopia av inköpsbeviset.

Inköpsdatum \_\_\_/\_\_\_/\_\_\_

Köpt från: \_\_\_\_\_

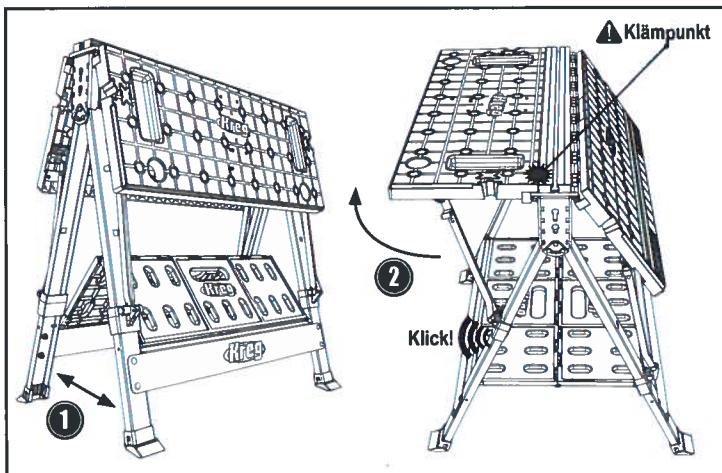
## DELAR



### Delar som ingår:

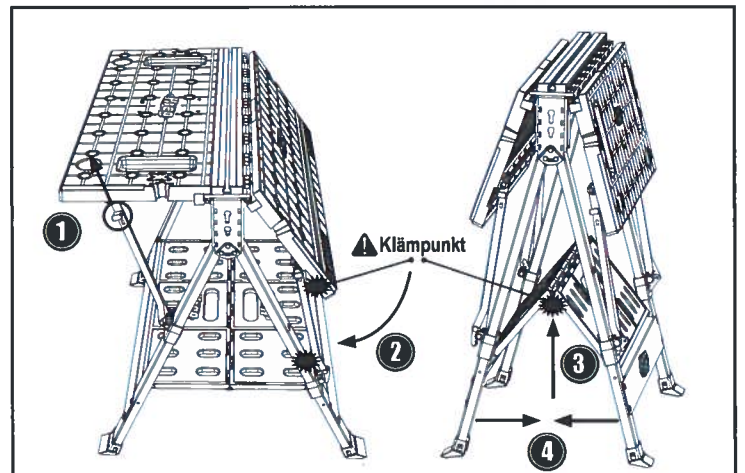
- (A) Mobile Project Center
- (B) 7,62 cm bänktving med Automaxx®
- (C) Stödbeslag (2)
- (D) Kreg® bänkhakar (4)
- (E) Trak-bussningar (2) och skruvar (2)
- (F) Anslutningsnycklar (2)

## UPPSTÄLLNING



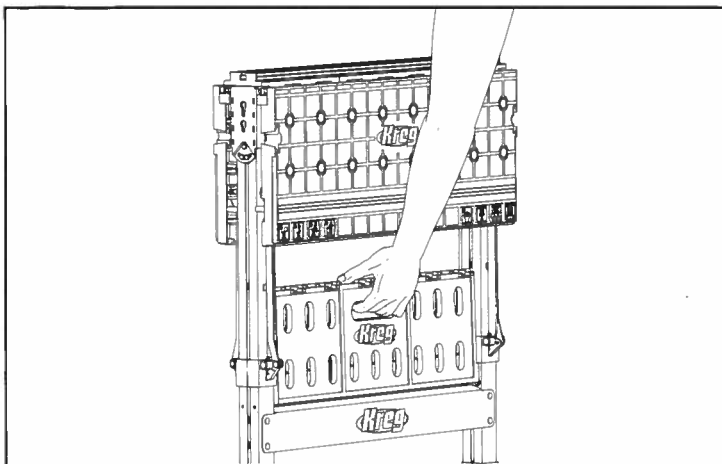
- (1) Ställ ut benen.
- (2) Lyft upp bänkskivorna. Se till att alla låsspärrar är helt låsta.

## HOPFÄLLNING



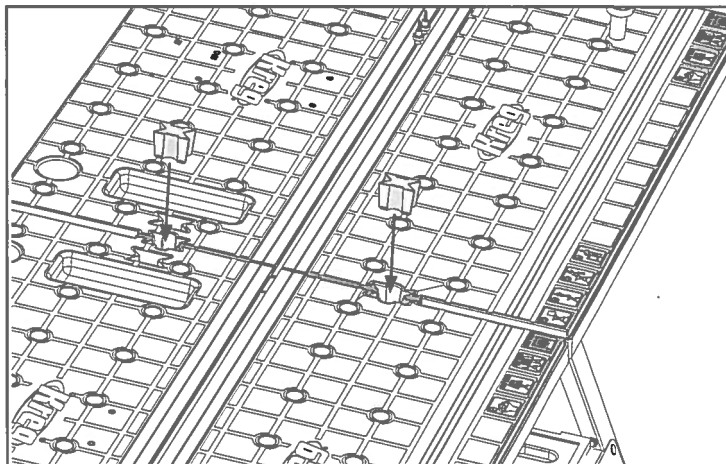
- (1) Lyft flikarna för att låsa upp låsspärrarna. (2) Fäll ned bänkskivorna. (3) Vik upp hyllan. (4) För ihop benen.

## BÄRA



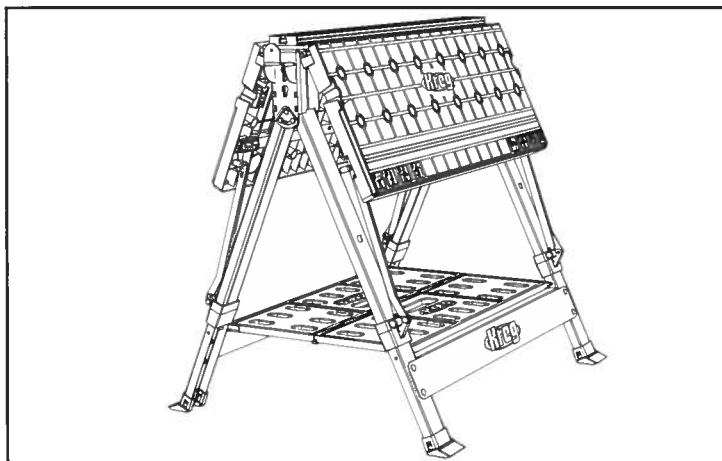
För att undvika oavsiktlig uppfällning ska du alltid hålla i handtagen på hyllan när du bär produkten.

## HOPSÄTTNING



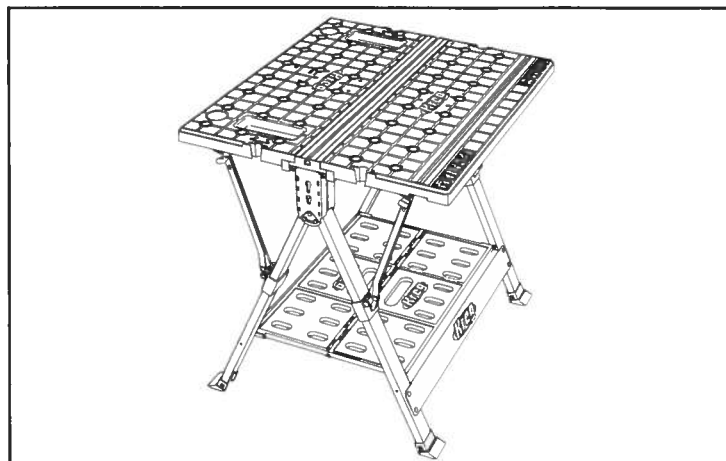
Använd anslutningsnycklar för att sätta ihop två Mobile Project Center-arbetsbänkar.

## SÅGBOCK



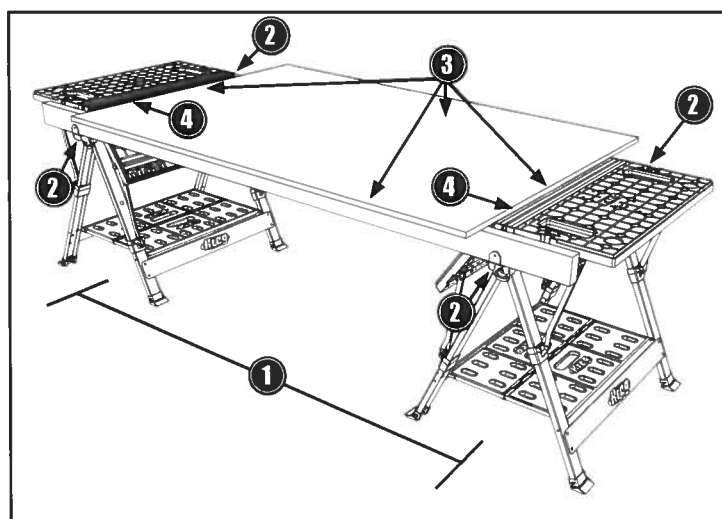
Utställda ben, nedfällda bänkskivor

## BORD



Utställda ben, uppfällda bänkskivor

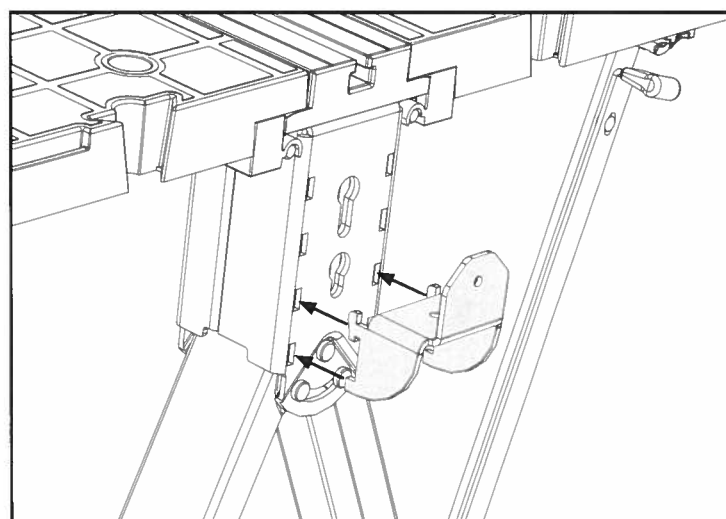
## UTDRAGEN BÄNK



- (1) Två Mobile Project Center-arbetsbänkar placerade högst 18 cm från varandra.
- (2) Stödbeslag i nedre positionen, en regel på 50 x 100 mm i varje beslagpar.
- (3) 20 mm plywoodskiva liggande på regler (50 x 100 mm) och kanterna på de båda nedfällda bänkskivorna.
- (4) Plywoodkanterna ligger tätt mot båda Clamp Trak-skenorna.
- (5) Fördela vikten jämnt.

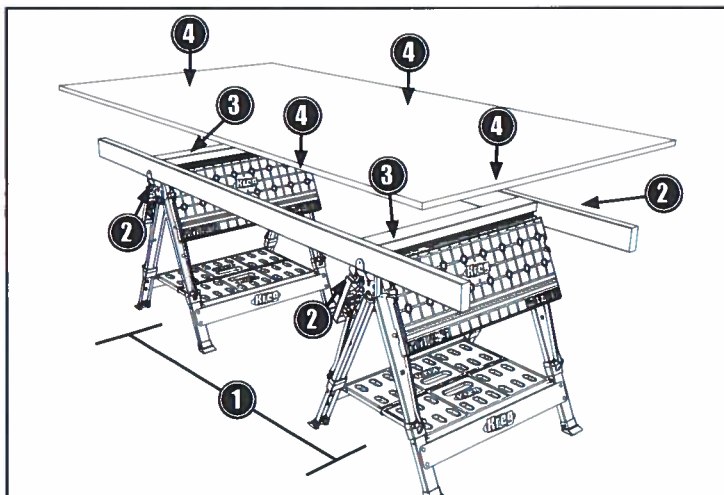
**⚠ VARNING** Högst 998 kg belastning

## BESLAGPOSITION: UTDRAGEN BÄNK



Montera stödbeslagen i de nedre öppningarna.

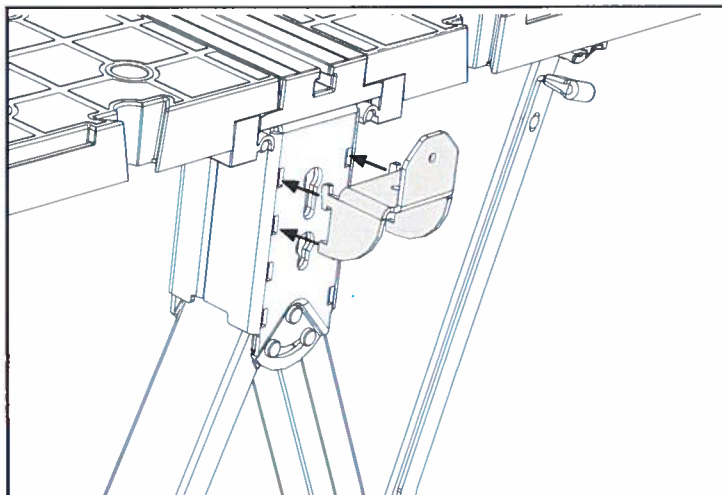
## UPPSTÄLLNING VID KAPNING



- (1) Två Mobile Project Center-arbetsbänkar placerade högst 18 cm från varandra.
- (2) Stödbeslag i övre positionen, en regel på 50 × 100 mm i varje beslagpar.
- (3) Stödregeln på 50 × 100 mm monterad på varje Mobile Project Center.  
(Se MONTERA EN STÖDREGEL PÅ 50 × 100 MM.)
- (4) 20 mm plywoodskiva ligger på reglarna (50 × 100 mm) och stödregeln på 50 × 100 mm.
- (5) Fördela vikten jämnt.

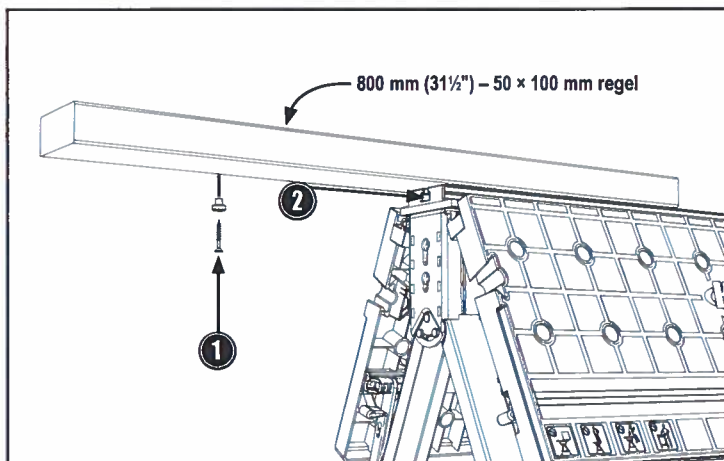
**⚠ VARNING** Högst 998 kg belastning

## BESLAGPOSITION: UPPSTÄLLNING VID KAPNING



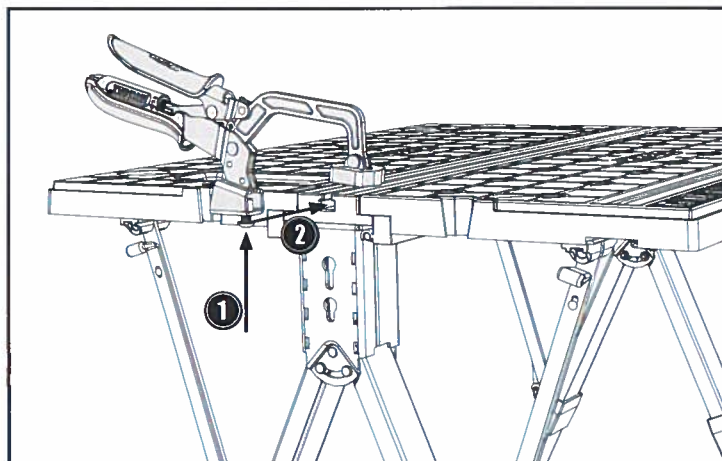
Montera stödbeslagen i de övre öppningarna.

## MONTERA EN STÖDREGEL 50 × 100



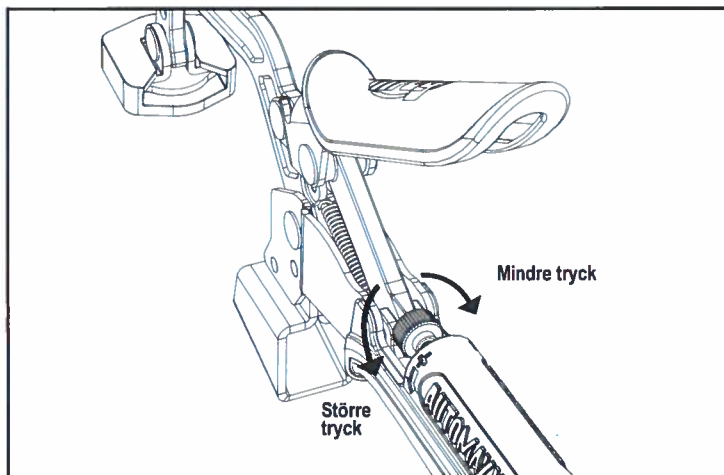
- (1) Dra åt Trak-bussningarna på regeln (50 × 100 mm) och (2) för in dem i den T-formade öppningen.

## MONTERA BÄNKTVINGEN

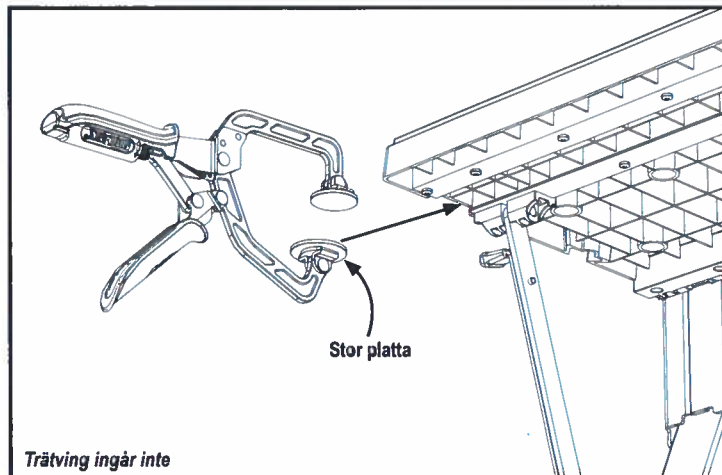


- (1) Justera tvingens ankarskruv och (2) för in den i den T-formade öppningen.

## JUSTERA BÄNKTVINGENS TRYCK



## ANVÄNDA EN TRÄTVING FRÅN KREG

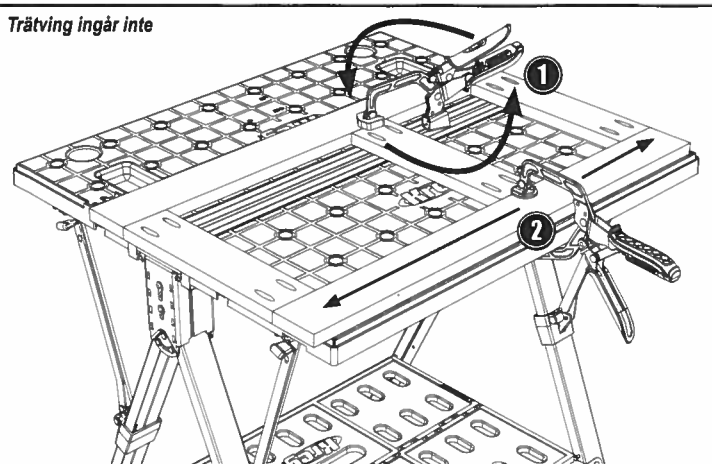


Trätving ingår inte

För in den stora plattan i den T-formade öppningen.

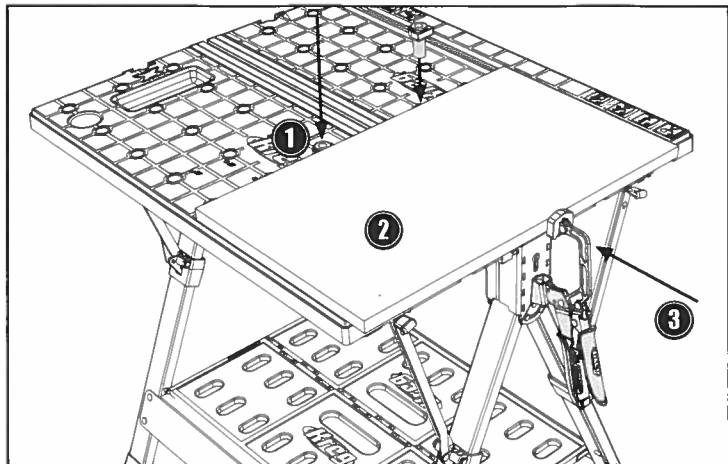
## ANVÄNDNING AV BÄNKTVING

Trätving ingår inte



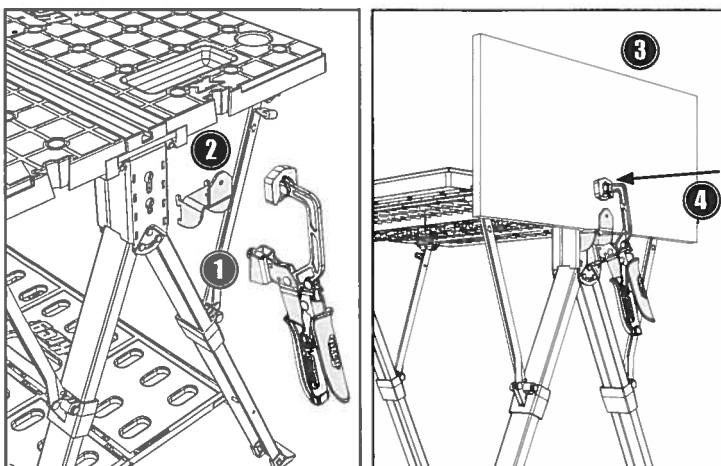
(1) Bänktvingen roterar 360°. (2) Placera en trätving (tillbehör) på valfri plats längs kanten.

## ANVÄNDNING AV BÄNKHAKAR



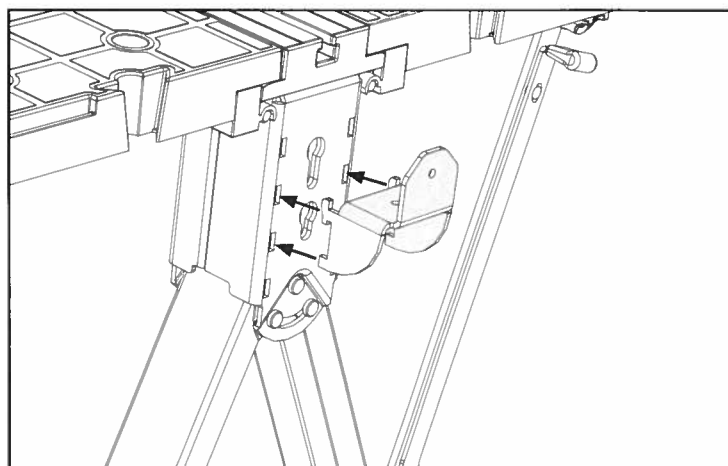
(1) Infoga bänkhakarna i hålen, (2) placera arbetsmaterialet där du vill ha det och (3) sätt fast det.

## ANVÄNDNING AV TVING



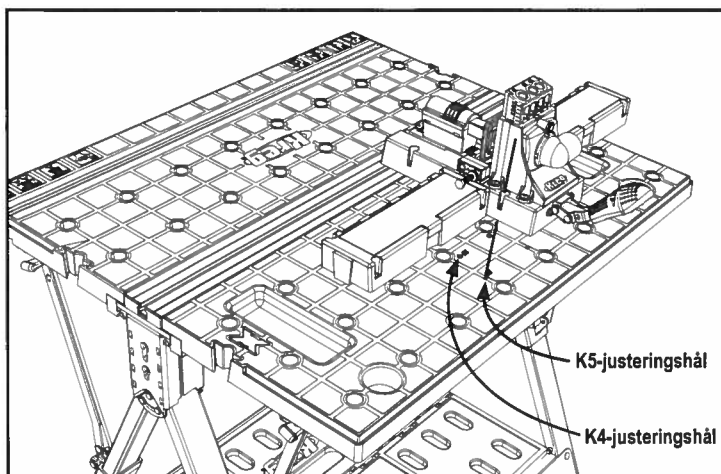
(1) Montera bänktvingen i den nedre nyckelhålsöppningen.  
(2) Montera stödbeslaget i de mittersta öppningarna.  
(3) Låt materialet ligga på beslaget och (4) sätt fast det.

## BESLAGPOSITION: TVING



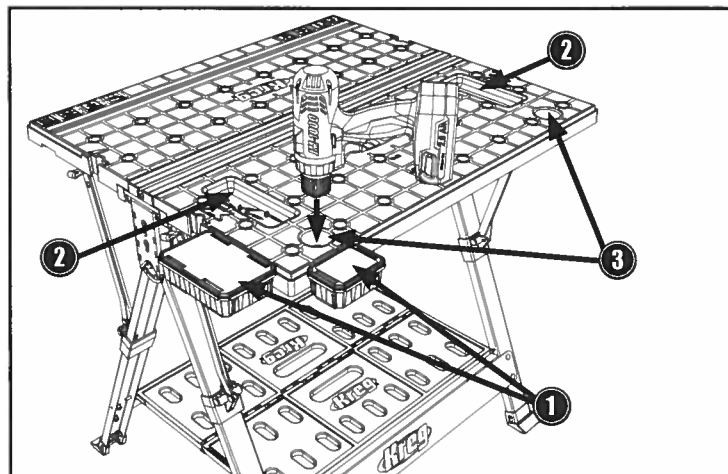
Montera stödbeslaget i de mittersta öppningarna.

## MONTERA EN KREG JIG®



Rikta in jiggen med motsvarande hål för antingen K4 eller K5.

## YTTERLIGARE FUNKTIONER



(1) Häng skruvbehållare från Kreg från kanten på bänkskivorna.

- ⚠ OBSERVERA** Häng bara på skruvbehållare från Kreg för 100 och 250 skruvar  
(2) Förvara beslag i de nedsänkta facken.  
(3) Med hållarna för elverktyg har du alltid borsten/skrivdragaren nära till hands.



[www.kregtool.com](http://www.kregtool.com) • 800.447.8638

For assistance with any Kreg product, contact us through our Web site or call Customer Service.